

SA-LS060

LIGHT SENSOR

INTRODUCTION

The SA-LS060 is a light sensor that can be connected to sending cards, asynchronous cards or multifunction cards for ambient brightness monitoring, allowing for automatic brightness adjustment of LED display.

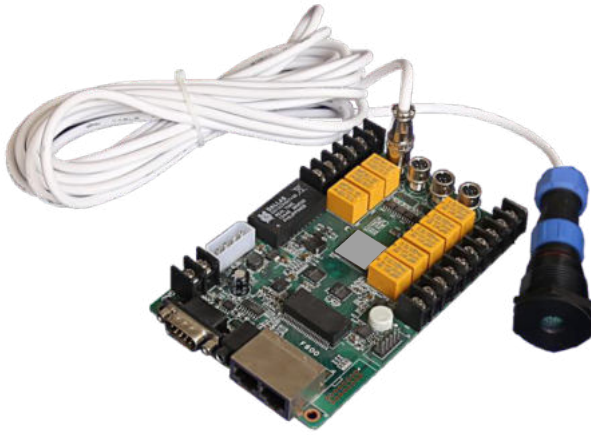
The sensor body of SA-LS060 is made of aluminum alloy. The sensor surface adopts micro-arc oxidation process, and therefore it is highly UV - resistant and will not be discolored. The joint between the sensor body and the male connector has a very deep groove and is extremely waterproof.

FEATURES

- Ambient brightness monitoring, allowing for automatic brightness adjustment of LED display
- Capable of connecting to sending cards, asynchronous cards or multifunction cards
- Standard 5-meter cable included, with options for 10, 30, or 100 meters
- Mildew, moisture and salt-mist resistant design, ideal for outdoor applications
- No external power supply required

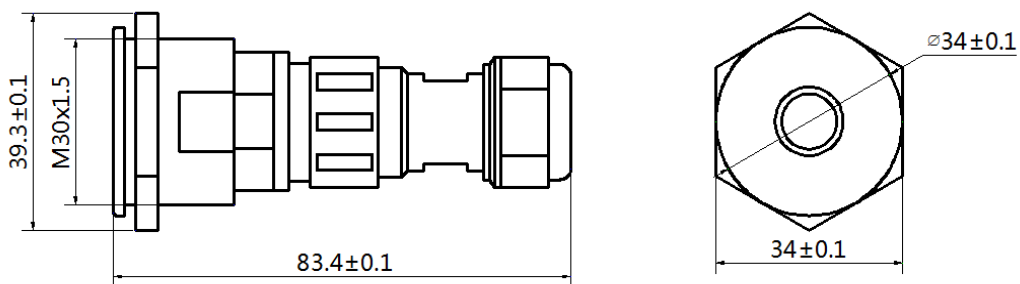
APPLICATIONS

The SA-LS060 light sensor can work with devices that have light sensor connectors, such as sending cards, asynchronous cards and multifunction cards. It must be placed in the same environment with the LED display. The connection between the light sensor and multifunction card is shown in the figure below.



All product pictures shown in this document are for illustration purpose only. Actual product may vary.

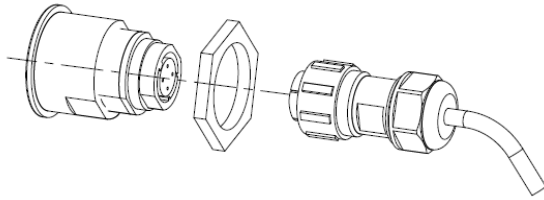
DIMENSIONS



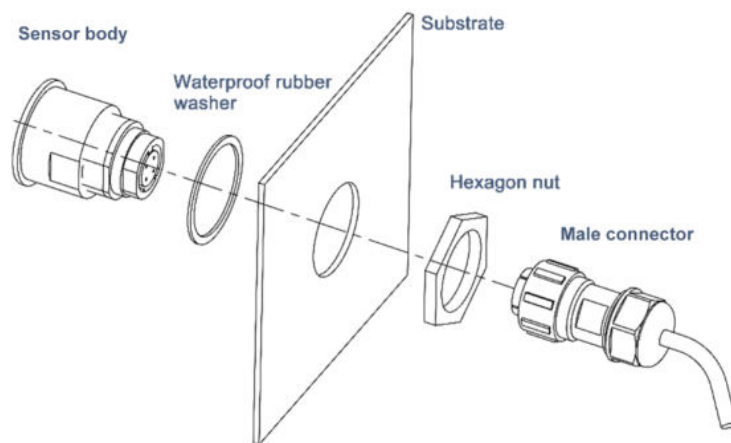
Unit: mm

ASSEMBLE

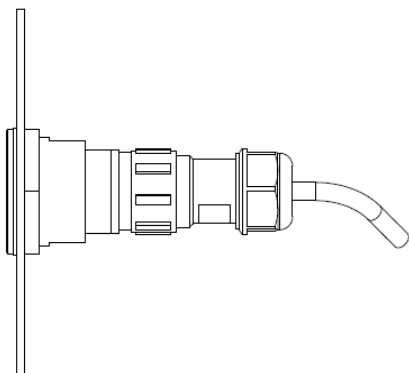
Preparation



Assembly



Complete



Tips: It is recommended that you apply outdoor waterproof adhesive to the joint between the sensor body and substrate after assembly, and check the joint regularly.

Technical specifications**SA-LS060**

Rated voltage	5V DC
Maximum current	0.09 A
Maximum power consumption	0.45 W
Operating temperature	-20°C to +70°C
Operating humidity	0% RH to 99% RH, non-condensing
Brightness measurement range	0 lux to 65535 lux
Cable length	5 m (SA-LS060-5A model), 10 m (SA-LS060-10A model) 30 m (SA-LS060-30A model) 100 m (SA-LS060-100A model)
IP Rating	IP65

Note: The maximum current and power consumption were tested for a single light sensor under conditions of 5V input voltage at an ambient temperature of 25°C.

For technical or sales support, please visit:

www.starviewint.asia

Performance specifications are typical. Due to constant research, specifications are subject to change without notice. For the most up-to-date specifications, please contact an authorized Starview representative.

For assistance with confirming the Jurisdiction & Classification of Starview Asia products, please contact info@starviewint.asia

Copyright © 2025 STARVIEW ASIA. All rights reserved.
Australia Headquarters: Level 40, 140 Williams Street, Melbourne VIC 3000, Australia