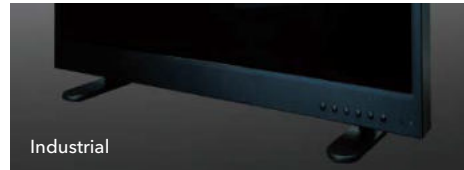


# SA-KD32DS

LCD MONITOR



## OVERVIEW

Starview SA-KD32DS is a multifunctional monitor with various of digital and analog input sources. It is compatible with HD-Analog input, such as CVI / TVI / AHD / CVBS / Trigger signals.

This product is used in control rooms and broadcasting stations using CCTV cameras.

## FEATURES

- Metal Chassis
- 1920 x 1080p Full HD
- LED BLU (Back Light Unit) Display Monitor
- 3D Comb Filter / Deinterlace, Noise Reduction, Advanced Auto Power Recovery, 3D Noise reduction, Auto Configuration/ Detection/Color Calibration for Analog RGB
- HD-Analogue In/Out, CVBS in/out, VGA In, DP In, HDMI In, Audio In, Trigger In
- Built-In Speakers
- Select Trigger input (Off, HDA, AV)



**Technical specifications****SA-KD32DS LCD MONITOR**

<b>DISPLAY</b>	
Screen Size	31.5 Inch
Max. Resolution	1920 x 1080 @ 60Hz
Pixel Pitch	0.364 x 0.364mm
Brightness	450cd/m2
Contrast Ratio	4000 : 1
Aspect Ratio	16 : 9
Viewing Angle (H/V)	178° / 178°
Display Color	16.7 Million
Response Time	< 8ms (Gray to Gray)
Video System	NTSC / PAL
<b>INTERFACE</b>	
HD Analog In / Out (BNC Type)	1 In / 1 Out (AHD, HD-TVI, HD-CVI, CVBS)
CVBS In / Out (BNC Type)	1 In / 1 Out
VGA In (15Pin D-Sub)	1 In
DP In / HDMI In	1 In / 1 In
Trigger Input	1 In
PC Stereo In	1 In
<b>TRANSMITTER</b>	
Remote Control	Yes
<b>AUDIO</b>	
Built-in Speakers	Yes (1W x 2)
<b>FEATURES</b>	
Filter Type	3D Comb Filter
Trigger Source Switching	Yes
Blue screen for Composite video	Yes
3D noise reduction	Yes
Advanced Auto Power Recovery	Yes
Auto Configuration	Yes
Auto Detection	Yes
Auto Color Calibration	Yes
Panel Life Time (hours)	30,000 hours
<b>GENERAL</b>	
Outline Dimension (W x H x D)	732 x 486.25 x 160mm (28.8" x 19.14" x 6.3")
Net Weight	15Kg (33.06 lbs)
Material / Color	Electronic galvanized iron / Black
Desktop Stand	Yes
Consumption: < On	< 50W
	DC24V
Operating Temperature	0° ~ 40°C / 32° ~ 104°F
Storage Temperature	-20° ~ 60°C / -4° ~ 140°F
<b>MOUNTS</b>	
VESA Mount Size	200 x 200mm
Wall	Support
Ceiling	Support

For technical or sales support, please visit:

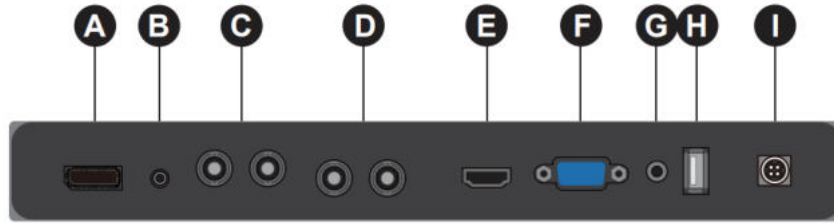
[www.starviewint.asia](http://www.starviewint.asia)

Performance specifications are typical. Due to constant research, specifications are subject to change without notice. For the most up-to-date specifications, please contact an authorized Starview representative.

For assistance with confirming the Jurisdiction & Classification of Starview Asia products, please contact [info@starviewint.asia](mailto:info@starviewint.asia)

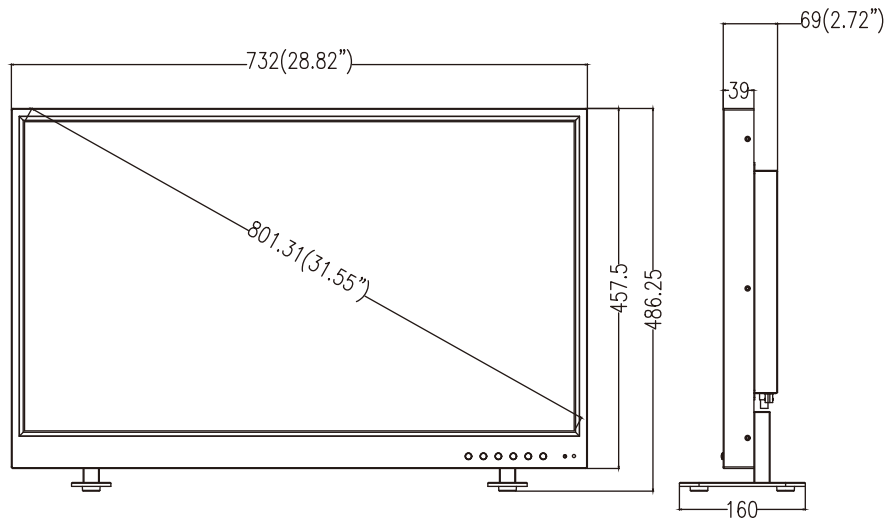
Copyright © 2025 STARVIEW ASIA. All rights reserved.  
Australia Headquarters: Level 40, 140 Williams Street, Melbourne VIC 3000, Australia

## INPUT INTERFACE



- |                       |                        |                       |
|-----------------------|------------------------|-----------------------|
| <b>A</b> DP In        | <b>D</b> CVBS In / Out | <b>G</b> PC Stereo In |
| <b>B</b> Trigger      | <b>E</b> HDMI In       | <b>H</b> USB (Update) |
| <b>C</b> HDA In / Out | <b>F</b> VGA In        | <b>I</b> DC 24V       |

## DIMENSIONS



## OPTIONAL MOUNTS

