

SA-H3SIP SERIES

VIDEO CONFERENCE



DESCRIPTIONS

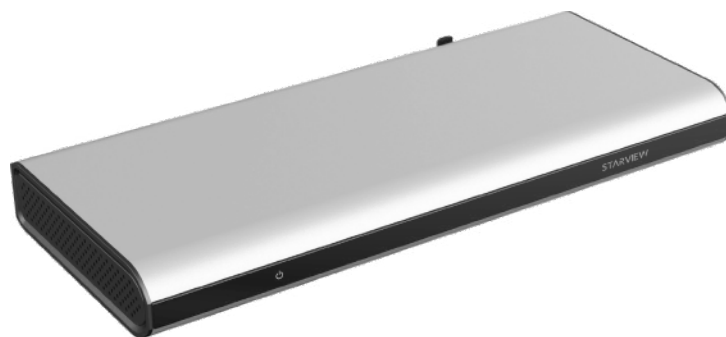
Video conferencing technology is an online solution that allows users in different locations to hold face-to-face meetings without needing to move to a common location. This technology is particularly convenient for business users in different cities or countries as it saves time, costs, and the hassles associated with business travel.

The Starview Video Conference SA-H3SIP Series is a complete solution for organizations looking to easily convert any room into a video collaboration center. This high-performance video system provides everything you need to start collaborating and can be customized to meet the needs of any collaboration space, from meeting rooms, conference rooms, offices to classrooms across all industries.

4K INTELLIGENT VIDEO CONFERENCING ENDPOINT

SA-LA500

The Starview SA-LA500 is a new 4K ultra-high-definition video conferencing endpoint, crafted specifically for various meeting scenarios such as government and corporate meetings, emergency command, telemedicine, and remote education. Powered by the latest generation processor, it offers smooth and stable operation for video conferencing systems. SA-LA500 features four video input and two output interfaces, along with six audio input and four output interfaces, meeting the connectivity needs of diverse meeting settings and ensuring the secure and stable operation of remote conferences.



FEATURES

• Low-bandwidth Transmission

Utilizes H.265 video codec for ultra-high-definition 4K@30fps video output on just 1 Mbps bandwidth, reducing network infrastructure and operational costs.

• Dual 4K Output

Features exceptional dual-stream collaboration, supporting dual 4K@30fps + 4K@30fps video stream output for detailed image quality and an excellent immersive meeting experience.

• Convergence Conference

The video conferencing terminal supports cloud conferencing, is compatible with standard SIP and H.323 private network conferencing, and is compatible with the industry's mainstream standard terminals and network-side equipment for a wider range of application scenarios.

• Built-in MCU

Features an integrated Multi-Point Control Unit (MCU) to meet the simple networking and rapid meeting needs of small and medium-sized businesses, enhancing communication and collaboration efficiency in small meetings.

• Open API

Provides a fully open API to support third-party application development, facilitating easy customer customization.

• Infrared Passthrough

The terminal supports serial port infrared signal reception, allowing remote control signal reception through specific camera models, enabling hidden conference terminal setups while maintaining full control.

• Remote & Local Recording

Offers remote recording capabilities with just a PC for conference recording. Supports USB flash drive recording for plug-and-play operation, ensuring secure and confidential meeting records.

• Bilingual Audio Simultaneous Transmission

Supports simultaneous input and output of two different languages, allowing for flexible mixing and encoding of dual-language audio.

• Superior Packet Loss Resistance

Features FEC proprietary technology to address severe network packet loss, with up to 20% packet loss having no impact on the system and maintaining normal conference operation at 30% packet loss, effectively solving network jitter and packet loss issues.

Technical specifications**SA-LA500**

Standard & Protocol	
Multimedia Framework Protocol	HDMI Male A to HDMI Male A
Video Codec Protocol	24K Gold plated
Audio Codec Protocol	Straight
Double Stream Protocol	PVC, Black
Other Communication Protocols	4C x OM2 + 1P + 5C
Network Transmission Protocols	Up to 3840 x 2160/60Hz
Video Features	
Active Image Resolution	Minimum 1 Mbps for 4K at 30fps; dual 4K at 30fps on main and auxiliary streams with minimum 2 Mbps. Minimum 512 Kbps for 1080p at 60fps; 4K at 60fps supported on minimum 2 Mbps
Data Content Resolution	<ul style="list-style-type: none"> • Input: VGA (640×480), SVGA (800×600), XGA (1024×768), WXGA (1280×768), WXGA (1280×800), 1280×960, SXGA (1280×1024), 1360×768, 1366×768, 1440×900, 1600×900, 720p (1280×720), 1080p (1920×1080), 3840×2160 • Codec: 800×600, 1024×768, 1280×1024, 1280×720, 1920×1080, 3840×2160 • Output: 800×600, 1024×768, 1280×1024, 1280×720, 1920×1080, 3840×2160
Active Dual Stream	Dual 4K resolution at 30 fps
Other Image Feature	Support PIP, POP and other display modes
Audio Features	
Audio Feature	<ul style="list-style-type: none"> • Automatic echo cancellation (AEC) <ul style="list-style-type: none"> • Automatic gain control (AGC) • Automatic noise suppression (ANS) <ul style="list-style-type: none"> • Lip-sync supported
Bandwidth	
IP	64 kbps ~ 8 Mbps
I/O	
Audio Input Interface	1x 3.5mm input, 1x Cannon plug microphone input, 1x RJ45 input, 1x USB input, 1x HDMI input
Audio Output Interface	1x 3.5mm output, 2x HDMI Audio output, 1x USB output
Video Input Interface	2x HDMI; 1x USB; 1x VIDEO (POE TOUCH)
Video Output Interface	2x HDMI (3x HDMI Optional)
USB Interface	2x USB3.0 (USB flash disk supported, USB Microphone, etc.,)
Network Interface	2x RJ45: 10/1000 Base-T Touch/DMIC Interface; 1x Wireless: 802.11 b/g/n Wi-Fi (Optional)
Others	OLED display IP and registration number, AI tracking, AI noise reduction, voice to text, wireless casting, 4K dual-screen heterodyne display
General Specification	
Dimension	<ul style="list-style-type: none"> • Device Dimension (W x D x H): 375 × 428 × 89 mm • Package Dimension (W x D x H): 413 × 332 × 130 mm <ul style="list-style-type: none"> • Net weight: 1.4 Kg • Gross weight: 3.5 Kg
Power Supply	DC 12V

For technical or sales support, please visit:

www.starviewint.asia

Performance specifications are typical. Due to constant research, specifications are subject to change without notice. For the most up-to-date specifications, please contact an authorized Starview representative.

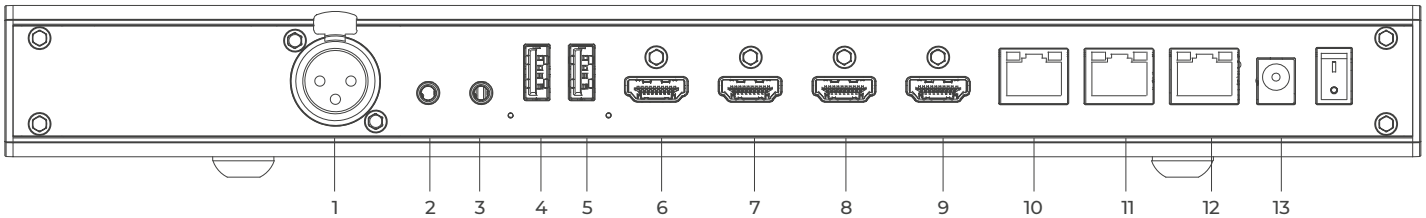
For assistance with confirming the Jurisdiction & Classification of Starview Asia products, please contact info@starviewint.asia

Copyright © 2025 STARVIEW ASIA. All rights reserved.
Australia Headquarters: Level 40, 140 Williams Street, Melbourne VIC 3000, Australia

Power Consumption	54 W
Environmental Requirements	<ul style="list-style-type: none"> • Temperature: 0°C ~ 40°C (Operating), -40°C ~ 70°C (Non-operating) • Humidity: 10% ~ 80% (Operating), 0% ~ 95% (Non-operating) <ul style="list-style-type: none"> • Ambient noise: < 46dBA SPL <ul style="list-style-type: none"> • Min. illuminance: 5 lux • Recommended illuminance: > 300 lux
Certification and Standards ¹	CE, RoHS, FCC

¹ The listed certifications are issued for markets in different regions. For the current status of the listed certifications in you

INTERFACE DIAGRAM



- | | | |
|---------------|--------------|-------------|
| 1 - MIC IN | 6 - HDMI OUT | 11 - NET |
| 2 - AUDIO IN | 7 - HDMI OUT | 12 - POE |
| 3 - AUDIO OUT | 8 - HDMI IN | 13 - DC 12V |
| 4 - USB | 9 - HDMI IN | |
| 5 - USB | 10 - RS232 | |

For technical or sales support, please visit:
www.starviewint.asia

Performance specifications are typical. Due to constant research, specifications are subject to change without notice. For the most up-to-date specifications, please contact an authorized Starview representative.

For assistance with confirming the Jurisdiction & Classification of Starview Asia products, please contact info@starviewint.asia

Copyright © 2025 STARVIEW ASIA. All rights reserved.
Australia Headquarters: Level 40, 140 Williams Street, Melbourne VIC 3000, Australia

FULL HD VIDEO CONFERENCING ENDPOINT

SA-LA300

Starview SA-LA300 is a high-definition video conference terminal designed for government and enterprise meetings, group meetings, remote training and other scenarios. It supports standard SIP and H.323 protocols, is compatible with the industry's mainstream conferencing platforms, and is equipped with strong audio and video encoding and decoding processing capabilities, which can realize multiple inputs and outputs for audio and video, meet the needs of various types of meeting scenarios, and bring efficient and safe remote communication and collaboration experience.



1080P



H.323 & SIP



Video
4 in 4 out



Audio
8 in 5 out



Full Open API

FEATURES

• Standard Protocol, Convergence and Interoperability

Standard SIP and H.323 protocols supported; compatible with the industry's mainstream standard terminals and networked devices.

• Low Bandwidth and High Definition

H.264 HP coding standard supported; 50% less bandwidth than the previous-generation compression standard.

• Multiple Sound Input

Various audio input solutions such as USB microphone, analog microphone and linear input are supported to suit different conference scenarios and meet more audio requirements.

• Excellent Network Security

H.460 firewall traversal supported to guarantee the secure connection of public and private networks. Encryption algorithms such as H.235, AES-256, AES-128, SRTP and other protocols are supported for all-round guarantee for IP communication security.

• Excellent Network Security

H.460 firewall traversal supported to guarantee the secure connection of public and private networks. Encryption algorithms such as H.235, AES-256, AES-128, SRTP and other protocols are supported for all-round guarantee for IP communication security.

• 1080P Full-HD

1080P60 ultra-fluid full-HD video; four (HDMI + DVI-D + 3G-SDI + VGA) HD video inputs and four (3x HDMI + 3G-SDI) HD video outputs supported.

• Embedded DSP Solution

Embedded DSP Solution hardware solution offers high efficiency and low latency.

• Fully Open API

Fully open API supports the development of third-party applications and is easy for secondary development by customer to meet their customization requirements.

• Simultaneous Bilingual Audio Signals Supported

Simultaneous bilingual audio signals are supported; This terminal support simultaneous input/output of voice in two different languages and the flexible mixing and coded output of voice in two different languages.

• Superior Anti-packet Loss Capability

The proprietary FEC technology could be activated in the event of severe network packet loss; the loss of less than 20% packets has no effect on the system, and conferences can still go on even if 30% packets are lost.

• Remote Recording and Local Recording

Supports remote recording, enabling conference recording with just a single PC. Offers recording to USB storage and web playback for plug and play convenience, ensuring secure and confidential meeting records.

• RTMP Live Streaming (Optional)

The device supports RTMP push streaming to the live broadcast platform for live broadcasting of conference.

• Built-in MCU (Optional)

Built-in MCU (optional) support up to 1 + 5 terminal HD video conferencing, ideal for small- and medium-sized enterprises that require low cost and simple maintenance of video conferencing.

Technical specifications

SA-LA300

Standard & Protocol	
Multimedia Framework Protocol	ITU-T H.323, IETF SIP
Video Codec Protocol	H.261, H.263, H.263+, H.263++, H.264, H.264 High Profile
Audio Codec Protocol	G.711, G.722, G.722.1*, G.722.1C*, AAC-LD, G.726, SILK
Double Stream Protocol	ITU-T H.239, IETF BFCP
Other Communication Protocols	H.221, H.224, H.225, H.235, H.241, H.245, H.281, H.350, H.460, T.140, DTMF
Network Transmission Protocols	TCP/IP, DHCP, SSH, HTTP, HTTPS with SSL/TLS, RTP, RTCP, RFC3261, RFC3264, RFC2190, RFC3984, RFC3407, RFC2833, RFC4585 (RTP/AVPF), SNMP, ARP, RTMP
Video Features	
Active Image Resolution	<ul style="list-style-type: none"> • 1080p, min. bandwidth 1024 Kbps • 720p, min. bandwidth 512 Kbps • w448p/4SIF/4CIF, min. bandwidth 256 Kbps • w288p/SIF/CIF, min. bandwidth 128 Kbps
Data Content Resolution	<ul style="list-style-type: none"> • Input: VGA (640×480), SVGA (800×600), XGA (1024×768), WXGA (1280×768), WXGA (1280×800), 1280×960, SXGA (1280×1024), 1360×768, 1366×768, 1440×900, 1600×900, 720p (1280×720), 1080i (1920×1080), 1080p (1920×1080) • Codec: 800×600, 1024×768, 1280×1024, 1280×720, 1920×1080 • Output: 800×600, 1024×768, 1280×1024, 1280×720, 1920×1080
Active Double Stream	1080p@60fps + 1080p@60fps
Other Image Feature	PIP, POP and other display modes supported; three screens and three displays
Audio Features	
Audio Feature	<ul style="list-style-type: none"> • Automatic echo cancellation (AEC) <ul style="list-style-type: none"> • Automatic gain control (AGC) • Automatic noise suppression (ANS) <ul style="list-style-type: none"> • Lip-sync supported
Reliability & Security	
Network Adaptability	Video forward error correction (FEC), automatic repeat request (ARQ), etc.,
Others	<ul style="list-style-type: none"> • H.235 signaling and media stream encryption (AES-128, AES-256) <ul style="list-style-type: none"> • TLS and SRTP • Administrator password: SSH/HTTPS
NAT/Firewall Traversal	H.460 static NAT
Bandwidth	
IP	64 kbps ~ 8 Mbps
I/O	
Audio Input Interface	2x RC Alinear input, 2x Cannon plug microphone input, 1x 3.5mm, 1x DMIC, 1x DVI-I, 1x HDMI
Audio Output Interface	2x RC Alinear output, 2x HDMI Audio output
Video Input Interface	1x HDMI, 1x VGA, 1x DVI-D, 1x 3G-SDI
Video Output Interface	3x HDMI, 1x 3G-SDI
USB Interface	2x USB2.0 (USB flash disk supported)
Network Interface	2x RJ45: 10/100/1000 Base-T; For IP networking
Camera Control Interface	2x RS232

For technical or sales support, please visit:

www.starviewint.asia

Performance specifications are typical. Due to constant research, specifications are subject to change without notice. For the most up-to-date specifications, please contact an authorized Starview representative.

For assistance with confirming the Jurisdiction & Classification of Starview Asia products, please contact info@starviewint.asia

Copyright © 2025 STARVIEW ASIA. All rights reserved.
Australia Headquarters: Level 40, 140 Williams Street, Melbourne VIC 3000, Australia

Conferencing Features

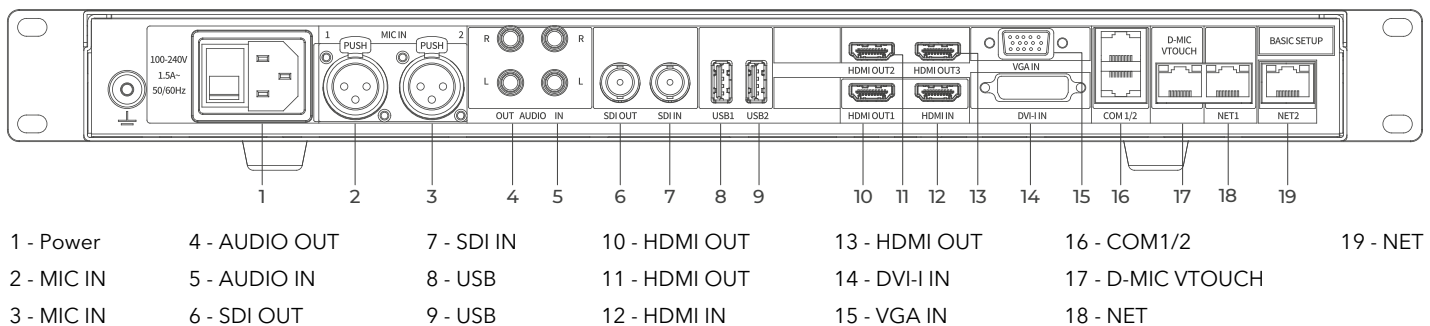
Language	Multi language
Contacts and Call History	1000 local contacts and call records
Featured Functions	<ul style="list-style-type: none"> • Auxiliary streaming accompaniment; • Support for "Same View"; Time switch; • Support DNS SRV; Caller ID; Asymmetric bandwidth; Built-in VPN; Built in MCU; • Three-part display; Network address book; • Support chairman conference control; • USB microphone connection; Infrared Transmission; Conference Lock; PC console; TR069; RTMP Push and Pull Live Streaming; • Automatic standby and wake-up for incoming calls; <ul style="list-style-type: none"> • Automatic static NAT address acquisition; • Picture in Picture (1/16 screen size), Picture beside Picture; • Support third-party integration and development API interface; <ul style="list-style-type: none"> • USB upgrade, local upgrade and network upgrade.

General Specification

Dimension	<ul style="list-style-type: none"> • Dimension (W x D x H): 375 × 428 × 89 mm • Net weight: 3.5 Kg
Power Supply	AC 100V ~ 240V, 50Hz/60Hz
Power Consumption	< 50W
Environmental Requirements	<ul style="list-style-type: none"> • Temperature: 0°C ~ 40°C (Operating), -40°C ~ 70°C (Non-operating) • Humidity: 10% ~ 80% (Operating), 0% ~ 95% (Non-operating) <ul style="list-style-type: none"> • Ambient noise: < 46 dBA SPL • Min. illuminance: 5 lux • Recommended illuminance: > 300 lux
Certification and Standards ¹	CE, RoHS, FCC

¹ The listed certifications are issued for markets in different regions. For the current status of the listed certifications in you

INTERFACE DIAGRAM



For technical or sales support, please visit:
www.starviewint.asia

Performance specifications are typical. Due to constant research, specifications are subject to change without notice. For the most up-to-date specifications, please contact an authorized Starview representative.

For assistance with confirming the Jurisdiction & Classification of Starview Asia products, please contact info@starviewint.asia

Copyright © 2025 STARVIEW ASIA. All rights reserved.
 Australia Headquarters: Level 40, 140 Williams Street, Melbourne VIC 3000, Australia

ALL-IN-ONE 4K VIDEO CONFERENCING ENDPOINT

SA-V300

4K all-in-one endpoint, equipped with ~12x lens and high quality 4K CMOS sensor, support dual 4K@30fps streaming, best choice for enterprise/government collaboration, online health-care, online teaching/learning and conferencing.



4K UHD



Convergence
Conference



Speaker
Tracking



Built-in
MCU



12x Optical
Zoom

FEATURES

4K Ultra High Definition

The video conferencing terminal employs an 8.42 million pixel CMOS sensor, supports 12x optical zoom, and delivers 4K@30fps ultrahigh resolution images with clear and natural quality over a 1 Mbps bandwidth.

Speaker Tracking

Incorporating an AI video algorithm, it precisely identifies the speaker's physique, appearance, and attire. As the speaker moves within the conference room, the camera automatically and stably follows to ensure the speaker remains centered in the frame. Even with multiple people moving or if the speaker steps out of the frame, it quickly captures and continues tracking the speaker, rivaling professional photographers.

• Built-in MCU

Equipped with an integrated MCU (Multipoint Control Unit), supporting 1 + 8 networking, fulfilling the needs for simple networking and swift conferencing for small and medium-sized businesses, enhancing communication and collaboration efficiency in small-scale meetings.

• Converged Conferencing

Supports standard SIP & H.323 multimedia communication protocols, catering to the needs of corporate private network meetings; compatible with mainstream cloud video conferencing platforms like VooV Meeting, allowing businesses to quickly launch online meetings without the need for additional public network deployments; also compatible with Starview's cloud meeting platform, flexibly meeting the diverse meeting needs of enterprises.

Technical specifications

SA-V300

Standard & Protocol	
Multimedia Framework Protocol	ITU-T H.323, IETF SIP
Video Codec Protocol	H.261, H.263, H.263+, H.263++, H.264, H.264 High Profile, H.265
Audio Codec Protocol	G.711, G.722, G.722.1*, G.722.1C*, AAC-LD, G.726, SILK
Double Stream Protocol	ITU-T H.239, BFCP
Other Communication Protocols	H.221, H.224, H.225, H.235, H.241, H.245, H.281, H.350, H.460, T.140, DTMF
Network Transmission Protocols	TCP/IP, DHCP, SSH, HTTP, HTTPS with SSL/TLS, RTP, RTCP, RFC3261, RFC3264, RFC2190, RFC3407, RFC2833, RFC4585 (RTP/AVPF), SNTP, ARP
Video Features	
Active Image Resolution	Minimum 1 Mbps for 4K at 30fps; dual 4K at 30fps on main and auxiliary streams with minimum 2 Mbps. Minimum 512 Kbps for 1080p at 60fps; 4K at 60fps supported on minimum 2 Mbps
Data Content Resolution	<ul style="list-style-type: none"> • Input: VGA (640×480), SVGA (800×600), XGA (1024×768), WXGA (1280×768), WXGA (1280×800), 1280×960, SXGA (1280×1024), 1360×768, 1366×768, 1440×900, 1600×900, 720p (1280×720), 1080p (1920×1080), 3840×2160 • Codec: 800×600, 1024×768, 1280×1024, 1280×720, 1920×1080, 3840×2160 • Output: 800×600, 1024×768, 1280×1024, 1280×720, 1920×1080, 3840×2160
Active Dual Stream	Dual 4K resolution at 30 fps
Other Image Feature	Support PIP, POP and other display modes
Audio Features	
Audio Feature	<ul style="list-style-type: none"> • Automatic echo cancellation (AEC) <ul style="list-style-type: none"> • Automatic gain control (AGC) • Automatic noise suppression (ANS) <ul style="list-style-type: none"> • Lip-sync supported
Bandwidth	
IP	64 kbps ~ 8 Mbps
I/O	
Audio Input Interface	1x Built-in Microphone Input; 1x Microphone Input (Mini XLR Interface) with Phantom Power Support; 1x 3.5mm Line Input; 1x USB 3.0; 1x HDMI with Embedded Audio Input; 1x DMIC
Audio Output Interface	1x 3.5mm output; 2x HDMI Audio output; 1x USB
Video Input Interface	1x 12x Optical Zoom 4K PTZ Camera; 2x HDMI; 1x USB; 1x VIDEO (POE TOUCH)
Video Output Interface	2x HDMI
USB Interface	2x USB3.0 (USB flash disk supported, USB Microphone, etc.,)
Network Interface	2x RJ45: 10/100/1000 Base-T, Touch/DMIC Interface 1x Wireless: 802.11 b/g/n Wi-Fi (Optional)
Others	OLED display IP and registration number, AI tracking, AI noise reduction, voice to text, wireless casting, 4K dual-screen heterodyne display
General Specification	
Dimension	<ul style="list-style-type: none"> • Device dimensions (W x D x H) (excluding protruding parts): 258 × 146 × 170 mm • Net weight: 2.0 Kg
Power Supply	DC 12V

For technical or sales support, please visit:

www.starviewint.asia

Performance specifications are typical. Due to constant research, specifications are subject to change without notice. For the most up-to-date specifications, please contact an authorized Starview representative.

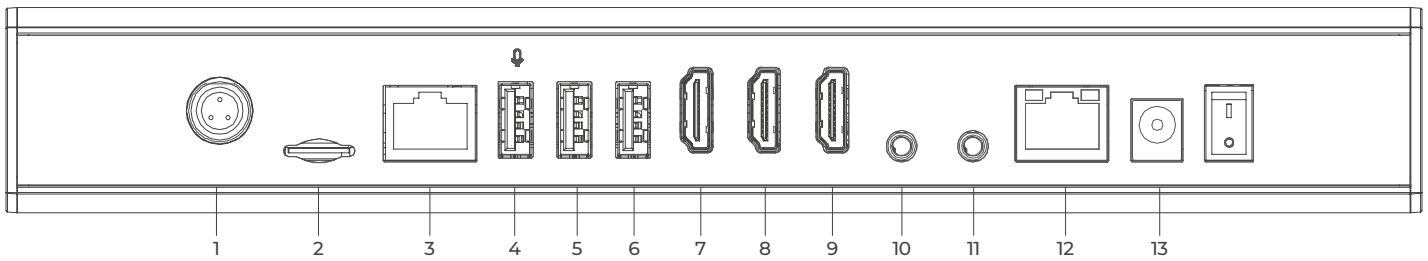
For assistance with confirming the Jurisdiction & Classification of Starview Asia products, please contact info@starviewint.asia

Copyright © 2025 STARVIEW ASIA. All rights reserved.
Australia Headquarters: Level 40, 140 Williams Street, Melbourne VIC 3000, Australia

Power Consumption	54 W
Environmental Requirements	<ul style="list-style-type: none"> • Temperature: 0°C ~ 40°C (Operating), -40°C ~ 70°C (Non-operating) • Humidity: 10% ~ 80% (Operating), 0% ~ 95% (Non-operating) <ul style="list-style-type: none"> • Ambient noise: < 46 dBA SPL <ul style="list-style-type: none"> • Min. illuminance: 5 lux • Recommended illuminance: > 300 lux
Certification and Standards ¹	CE, RoHS, FCC

¹ The listed certifications are issued for markets in different regions. For the current status of the listed certifications in you

INTERFACE DIAGRAM



- | | | |
|--------------|------------------|---------------|
| 1 - Mini XLR | 6 - USB | 11 - LINE OUT |
| 2 - TF | 7 - HDMI OUT 2.1 | 12 - NET |
| 3 - RJ45 | 8 - HDMI OUT 2.1 | 13 - DC 12V |
| 4 - USB | 9 - HDMI IN | |
| 5 - USB | 10 - LINE IN | |

For technical or sales support, please visit:
www.starviewint.asia

Performance specifications are typical. Due to constant research, specifications are subject to change without notice. For the most up-to-date specifications, please contact an authorized Starview representative.

For assistance with confirming the Jurisdiction & Classification of Starview Asia products, please contact info@starviewint.asia

Copyright © 2025 STARVIEW ASIA. All rights reserved.
Australia Headquarters: Level 40, 140 Williams Street, Melbourne VIC 3000, Australia

ALL-IN-ONE FULL HD VIDEO CONFERENCING ENDPOINT

SA-V100

1080P all-in-one endpoint, high quality image performance and high cyber security, minimal configuration and compatible with various conferencing platform. Best choice for enterprise/government collaboration, online healthcare, online teaching/learning and conferencing.



1080P



H.323 SIP



30% Packet Loss Resistance



Video 3 in 2 out



Audio 5 in 3 out

FEATURES

• All-in-One Integration

For the All-in-one integration, camera and terminal integration is a single device for simple and convenient operation. Externally connected microphones are supported; compact and easy to install and deploy.

• 1080P Full HD

Supports 1080p full HD, in addition to supporting built-in high-definition camera input, it also supports DVI-I (compatible with HDMI, VGA/YPbPr) video input. Supports 2-way HDMI high-definition video output.

• Standard & Protocols Enable Convergence and Interoperability

Standard SIP and H.323 protocols supported; compatible with the industry's mainstream standard terminals and networked devices.

• Embedded DSP Solution

Embedded DSP hardware solution offers high efficiency and low latency.

• Multiple Microphone Connection

Various audio inputs such as USB microphone, analog microphone and linear input are supported to suit different conference scenarios and meet more audio requirements.

• 72.5° Wide-angle Lens + 12x Optical Zoom

72.5° ultra-wide-angle integrated camera with 12x optical zoom.

• Excellent Network Security

H.460 firewall traversal supported to guarantee the secure connection of public and private networks. H.235 and SRTP protocols and the encryption algorithms such as AES-128 are supported for all-round guarantee for communication security.

• Low Bandwidth, and High Definition

The latest H.264 HP coding standard supported; 50% less bandwidth than the previous-generation compression standard.

• Fully Open API

Fully open API supports the development of third-party applications and is easy for secondary development by customer to meet their customization requirements.

• Built-in MCU (Optional)

Built-in MCU (optional) support up to 1 + 3 terminal HD video conferencing, ideal for small and medium-sized enterprises that require low cost and simple maintenance of video conferencing.

• Simultaneous Bilingual Audio Signals Supported

Simultaneous bilingual audio signals are supported; This terminal support simultaneous input/output of voice in two different languages and the flexible mixing and coded output of voice in two different languages.

• Superior Anti-packet Loss Capability

The proprietary FEC technology could be activated in the event of severe network packet loss; the loss of less than 20% packets has no effect on the system, and conferences can still go on even if 30% packets are lost.

• Local and Remote Recording & Broadcasting

Remote recording and broadcasting are supported; conference recording and broadcasting is realized with only one PC. USB flash disk can be used to record and keep conference minutes confidential.

• RTMP Push & Pull and RTSP Pull Streaming (Optional)

The device supports RTMP push streaming to the live broadcast platform for live broadcasting of conference. RTSP pull streaming can be realized through web cameras.

Technical specifications

SA-V100

Standard & Protocol	
Multimedia Framework Protocol	ITU-T H.323, IETF SIP
Video Codec Protocol	H.261, H.263, H.263+, H.263++, H.264, H.264 High Profile, H.264 SVC
Audio Codec Protocol	G.711, G.719, G.722, G.722.1*, G.722.1C*, AAC-LD, G.726, SILK, Opus
Double Stream Protocol	ITU-T H.239, IETF BFCP
Other Communication Protocols	H.221, H.224, H.225, H.235, H.241, H.245, H.281, H.350, H.460, T.140, DTMF
Network Transmission Protocols	TCP/IP, UDP, DHCP, SSH, HTTP, HTTPS, with SSL/TLS, RTP, RTCP, RFC3261, RFC3264, RFC2190, RFC3407, RFC2833, RFC4585 (RTP/AVPF), SNTP, ARP
Video Features	
Active Image Resolution	<ul style="list-style-type: none"> • 1080p, min. bandwidth 1024 Kbps; • 720p, min. bandwidth 512 Kbps; • w448p/4SIF/4CIF, min. bandwidth 256 Kbps; • w288p/SIF/CIF, min. bandwidth 128 Kbps
Data Content Resolution	<ul style="list-style-type: none"> • Input: VGA (640×480), SVGA (800×600), XGA (1024×768), WXGA (1280×768), WXGA (1280×800), 1280×960, SXGA (1280×1024), 1366×768, 1366×768, 1440×900, 1600×900, 720p (1280×720), 1080p (1920×1080) • Codec: 800×600, 1024×768, 1280×1024, 1280×720, 1920×1080 • Output: 800×600, 1024×768, 1280×1024, 1280×720, 1920×1080
Active Double Stream	1080p@30fps + 1080p@30fps
Built-in HD Camera	<ul style="list-style-type: none"> • Input: 1080p; • Sensor: 2.07 megapixels effective pixels, 1/2.8-inch CMOS; <ul style="list-style-type: none"> • Lens: 12x optical zoom; • Max. horizontal view angle: 72.5°; • PTZ: Horizontal+/-170°, vertical -30° ~ +90°; • Automatic white balance, automatic exposure, and automatic focus supported; <ul style="list-style-type: none"> • Remote camera control supported; <ul style="list-style-type: none"> • Mirror/Flip supported; • 255 preset positions
Other Image Feature	PIP, POP and other display modes supported
Audio Features	
Audio Feature	<ul style="list-style-type: none"> • Automatic echo cancellation (AEC) <ul style="list-style-type: none"> • Automatic gain control (AGC) • Automatic noise suppression (ANS) <ul style="list-style-type: none"> • Lip-sync supported
Reliability & Security	
Reliability & Security	Video forward error correction (FEC), automatic repeat request (ARQ), automatic speed up & down
Security Management	<ul style="list-style-type: none"> • H.235 signaling and media stream encryption (AES-128, AES-256) <ul style="list-style-type: none"> • TLS and SRTP • Administrator password: SSH/HTTPS
NAT/Firewall Traversal	H.460, ICE
Bandwidth	
IP	64 kbps ~ 8 Mbps
Cloud Integration	
Compatible Brands	Cisco, Pexip, Poly, etc Cloud platform

For technical or sales support, please visit:

www.starviewint.asia

Performance specifications are typical. Due to constant research, specifications are subject to change without notice. For the most up-to-date specifications, please contact an authorized Starview representative.

For assistance with confirming the Jurisdiction & Classification of Starview Asia products, please contact info@starviewint.asia

Copyright © 2025 STARVIEW ASIA. All rights reserved.
Australia Headquarters: Level 40, 140 Williams Street, Melbourne VIC 3000, Australia

I/O

Audio Input Interface	1x 3.5mm; 1x 3.5mm (Support phantom power supply); 1x DMIC; 1x DVI-I; 1x USB
Audio Output Interface	1x 3.5 mm; 1x HDMI; 1x USB
Video Input Interface	1x built-in camera input; 1x DVI-I (HDMI, VGA/YpBPr); 1x RTSP (optional)
Video Output Interface	2x HDMI
USB Interface	2x USB2.0 (USB flash disk and USB microphone etc. supported)
Network Interface	1x RJ45: 10/100 Base-T; 1x Wireless: 802.11a/b/g/n Wi-Fi (optional)

Conferencing Features

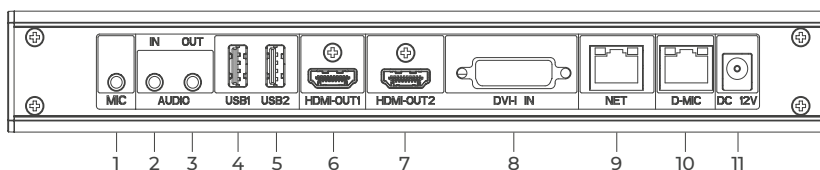
Language	Multi language
Contacts and Call History	1000 local contacts and call records
Featured Functions	<ul style="list-style-type: none"> • Auxiliary flow accompanying sound; • Network upgrade; • Time switch; • Support DNS SRV; • Incoming password; • Asymmetric bandwidth; • USB microphone access; • Two or three split screen display; • Network address book; • Built in MCU (optional); • Support web control; • Wi Fi access (optional); • RS232/USB serial API control; • Automatic standby and automatic wake-up of incoming calls; • Automatically obtain static NAT addresses; • Picture in Picture (1/16 screen size), Picture beside Picture;

General Specification

Dimension	<ul style="list-style-type: none"> • Dimension (W x D x H): 258 × 146 × 170 mm • Net Weight: 1.7 kg
Power Supply	AC 100V ~ 240V, 50Hz/60Hz; DC 12V
Power Consumption	24 W
Environmental Requirements	<ul style="list-style-type: none"> • Temperature: 0°C ~ 40°C (Operating), -40°C ~ 70°C (Non-operating) • Humidity: 10% ~ 80% (Operating), 0% ~ 95% (Non-operating) • Ambient noise: < 46 dBA SPL • Min. illuminance: 5 lux • Recommended illuminance: > 300 lux
Certification and Standards ¹	CE, RoHS, FCC

¹ The listed certifications are issued for markets in different regions. For the current status of the listed certifications in you

INTERFACE DIAGRAM



- | | | |
|---------------|--------------|------------------|
| 1 - Mic | 5 - USB | 9 - NET |
| 2 - AUDIO IN | 6 - HDMI OUT | 10 - D-MIC/TOUCH |
| 3 - AUDIO OUT | 7 - HDMI OUT | 11 - DC 12V |
| 4 - USB | 8 - DVI-I IN | |

For technical or sales support, please visit:
www.starviewint.asia

Performance specifications are typical. Due to constant research, specifications are subject to change without notice. For the most up-to-date specifications, please contact an authorized Starview representative.

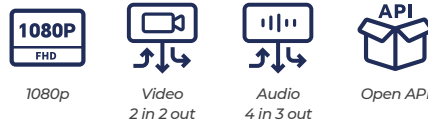
For assistance with confirming the Jurisdiction & Classification of Starview Asia products, please contact info@starviewint.asia

Copyright © 2025 STARVIEW ASIA. All rights reserved.
 Australia Headquarters: Level 40, 140 Williams Street, Melbourne VIC 3000, Australia

ALL-IN-ONE INTEGRATED HD VIDEO CONFERENCE TERMINAL

SA-V50

For the All-in-one integration, camera and terminal integration is a single device for simple and convenient operation. Externally connected microphones are supported; compact and easy to install and deploy.



FEATURES

• All-in-One Integration

For the All-in-one integration, camera and terminal integration is a single device for simple and convenient operation. Externally connected microphones are supported; compact and easy to install and deploy.

• Embedded DSP Solution

Embedded DSP hardware solution offers high efficiency and low latency.

• Standard & Protocols Enable Convergence and Interoperability

Standard SIP and H.323 protocols supported; compatible with the industry's mainstream standard terminals and networked devices.

• Low Bandwidth, and High Definition

The latest H.264 HP coding standard supported; 50% less bandwidth than the previous-generation compression standard.

• Multiple Microphone Connection

Various audio inputs such as USB microphone, analog microphone and linear input are supported to suit different conference scenarios and meet more audio requirements.

• Excellent Network Security

H.460 firewall traversal supported to guarantee the secure connection of public and private networks. H.235 and SRTP protocols and the encryption algorithms such as AES-128 are supported for all-round guarantee for communication security.

• 1080P Full-HD

1080P full HD supported; in addition to the built-in HD camera input, 1x HDMI IN and 2x HDMI OUT are also supported.

• 72.5° Wide-angle Lens

72.5° ultra-wide-angle integrated camera with 12x optical zoom.

• Fully Open API

Fully open API supports the development of third-party applications and is easy for secondary development by customer to meet their customization requirements.

• Built-in MCU (Optional)

Built-in MCU (optional) support up to 1+3 terminal HD video conferencing, ideal for small- and medium-sized enterprises that require low cost and simple maintenance of video conferencing.

• Local and Remote Recording & Broadcasting

Remote recording and broadcasting are supported; conference recording and broadcasting is realized with only one PC. USB flash disk can be used to record and keep conference minutes confidential.

• Simultaneous Bilingual Audio Signals Supported

Simultaneous bilingual audio signals are supported; This terminal support simultaneous input /output of voice in two different languages and the flexible mixing and coded output of voice in two different languages.

• Superior Anti-Packet Loss Capability

The proprietary FEC technology could be activated in the event of severe network packet loss; the loss of less than 20% packets has no effect on the system, and conferences can still go on even if 30% packets are lost.

• RTMP Push & Pull and RTSP Pull Streaming (Optional)

The device supports RTMP push streaming to the live broadcast platform for live broadcasting of conference. RTSP pull streaming can be realized through web cameras.

Technical specifications**SA-V50**

Standard & Protocol	
Multimedia Framework Protocol	ITU-T H.323, IETF SIP
Video Codec Protocol	H.261, H.263, H.263+, H.263++, H.264, H.264 High Profile, H.264 SVC (Optional)
Audio Codec Protocol	G.711, G.719, G.722, G.722.1*, G.722.1C*, AAC-LD, G.726, SILK
Double Stream Protocol	ITU-T H.239, IETF BFCP
Other Communication Protocols	H.221, H.224, H.225, H.235, H.241, H.245, H.281, H.350, H.460, T.140, DTMF
Network Transmission Protocols	TCP/IP, DHCP, SSH, HTTP, HTTPS with SSL/TLS, RTP, RTCP, RFC3261, RFC3264, RFC2190, RFC3407, RFC2833, RFC4585(RTP/AVPF), SNTP, ARP
Video Features	
Active Image Resolution	<ul style="list-style-type: none"> • 1080p, min. bandwidth 1024 Kbps; • 720p, min. bandwidth 512 Kbps; • w448p/4SIF/4CIF, min. bandwidth 256 Kbps; • w288p/SIF/CIF, min. bandwidth 128 Kbps
Data Content Resolution	<ul style="list-style-type: none"> • Input: VGA (640×480), SVGA (800×600), XGA (1024×768), WXGA (1280×768), WXGA (1280×800), 1280×960, SXGA (1280×1024), 1360×768, 1366×768, 1440×900, 1600×900, 720p (1280×720), 1080p (1920×1080); • Codec: 800×600, 1024×768, 1280×1024, 1280×720, 1920×1080; • Output: 800×600, 1024×768, 1280×1024, 1280×720, 1920×1080
Active Double Stream	Dual 1080p or Dual 720p
Built-in HD Camera	<ul style="list-style-type: none"> • Input: 1080p; • Sensor: 2.07 MP, 1/2.8-inch CMOS; • Lens: 12x optical zoom; • Max. horizontal view angle: 72.5°; • PTZ; Horizontal +/-170°, vertical -30 ~ +90°; • Automatic white balance, automatic exposure, and automatic focus supported; • Remote camera control supported; • Mirror/Flip supported; • 255 preset positions
Other Image Feature	PIP, POP and other display modes supported
Audio Features	
Audio Feature	<ul style="list-style-type: none"> • Automatic echo cancellation (AEC) <ul style="list-style-type: none"> • Automatic gain control (AGC) • Automatic noise suppression (ANS) <ul style="list-style-type: none"> • Lip-sync supported
Reliability & Security	
Reliability & Security	Video forward error correction (FEC), automatic repeat request (ARQ), automatic speed up & down
Security Management	<ul style="list-style-type: none"> • H.235 signaling and media stream encryption (AES-128, AES-256) <ul style="list-style-type: none"> • TLS and SRTP • Administrator password: SSH/HTTPS
Bandwidth	
IP	64 kbps ~ 8 Mbps

For technical or sales support, please visit:

www.starviewint.asia

Performance specifications are typical. Due to constant research, specifications are subject to change without notice. For the most up-to-date specifications, please contact an authorized Starview representative.

For assistance with confirming the Jurisdiction & Classification of Starview Asia products, please contact info@starviewint.asia

Copyright © 2025 STARVIEW ASIA. All rights reserved.
Australia Headquarters: Level 40, 140 Williams Street, Melbourne VIC 3000, Australia

I/O

Audio Input Interface	1x 3.5mm linear input; 1x 3.5mm microphone input; 1x HDMI IN; 1x USB microphone input
Audio Output Interface	1x 3.5mm linear output; 1x HDMI Audio output; 1x USB Audio output
Video Input Interface	1x built-in camera input; 1x HDMI; 1x RTSP (optional)
Video Output Interface	2x HDMI
USB Interface	2x USB2.0 (USB flash disk and USB microphone etc. supported)
Network Interface	1x RJ45: 10M/100M Base-T

Conferencing Features

Language	Multi language
Contacts and Call History	1000 local contacts and call records
Featured Functions	<ul style="list-style-type: none"> • Secondary stream accompaniment; <ul style="list-style-type: none"> • Network upgrade; • Timed start/shutdown; • DNS SRV supported; • Incoming call password; • Asymmetric bandwidth; • USB microphone access; • Two- and three-split display; <ul style="list-style-type: none"> • Network address book; • built-in MCU(optional); • Web conference control supported; <ul style="list-style-type: none"> • RS232/USB serial port API control; • Automatic standby and automatic wake-up by incoming call; <ul style="list-style-type: none"> • Static NAT addresses obtained automatically; <ul style="list-style-type: none"> • PIP (1/16 screen size), PBP; • Third-party integrated API supported; • GB/T 28181 Video surveillance(Optional)

General Specification

Dimension	<ul style="list-style-type: none"> • Terminal size (W x D x H): 240 × 146 × 160mm • Net weight: 1.7Kg;
Power Supply	AC 100V ~ 240V, 50Hz/60Hz; DC 12V
Power Consumption	18 W
Environmental Requirements	<ul style="list-style-type: none"> • Temperature: 0°C ~ 40°C (Operating), -40°C ~ 70°C (Non-operating) • Humidity: 10% ~ 80% (Operating), 0% ~ 95% (Non-operating) <ul style="list-style-type: none"> • Ambient noise: < 46 dBA SPL <ul style="list-style-type: none"> • Min. illuminance: 5 lux • Recommended illuminance: > 300 lux
Certification and Standards ¹	CE, RoHS, FCC

¹ The listed certifications are issued for markets in different regions. For the current status of the listed certifications in you

For technical or sales support, please visit:
www.starviewint.asia

Performance specifications are typical. Due to constant research, specifications are subject to change without notice. For the most up-to-date specifications, please contact an authorized Starview representative.

For assistance with confirming the Jurisdiction & Classification of Starview Asia products, please contact info@starviewint.asia

Copyright © 2025 STARVIEW ASIA. All rights reserved.
 Australia Headquarters: Level 40, 140 Williams Street, Melbourne VIC 3000, Australia

ALL-IN-ONE FULL HD VIDEO CONFERENCING ENDPOINT

SA-AC631P

Designed for enterprise collaboration, integrated with camera and endpoint, high quality image performance and audio transmission. Best choice for enterprise/government collaboration, online health-care, online teaching/learning and conferencing.



FEATURES

• High-performance Open Platform

Powered by Android 12 with Quad-core Cortex-A76 and quadcore Cortex-A55 CPU and 6TOPs AI NPU, the camera supports deep customization development for video applications and provides comprehensive development documentation and SDK.

• Ultra-wide-angle Lens

Equipped with a 4K UHD camera and an 80.8° ultra-wide-angle lens, the camera also supports 12x optical zoom and is complemented by a largerange PTZ, covering the entire conference space.

• Powerful Video Decoding

The camera supports H.265/H.264/AV1/VP9/AVS2 video decoding, with a maximum resolution of 8K@60fps.

• Dual-screen Display

The camera supports simultaneous input of dual 4K video streams (1x builtin MIPI, 1x HDMI), simultaneous output of dual 4K video streams (2x HDMI), and dual-screen display.

• Built-in Audio Processing Algorithms

Built-in audio 3A processing algorithms include automatic gain control, automatic echo cancellation, automatic noise suppression, etc. The camera supports multiple audio inputs and outputs, effectively suppressing environmental noise and interference.

• Fanless Design

The camera adopts a metal shell material with excellent heat dissipation performance; the fanless design ensures stable operation with low noise and long-term operation at high frequencies.

Technical specifications**SA-AC631P**

Standard	
Operating System	Android 12
CPU	4x Cortex-A76 + 4x Cortex-A55
RAM	4GB
ROM	16GB EMMC (optional 32GB)
Bluetooth (Optional)	BT 5.2
Video Features	
Built-in 1080P HD Camera	4K@30fps <ul style="list-style-type: none"> • Sensor: 8.51 million effective pixel, 1/2.5" CMOS; <ul style="list-style-type: none"> • Max. Horizontal View Angle: 80.8° • Lens: 12x Optical Zoom; • PTZ: Horizontal +/-170° ; Vertical -30 ° ~ +30° ; • Support auto white balance, auto exposure, auto focus; <ul style="list-style-type: none"> • Support remote camera control; • Mirror/Flip supported.
Video Codec	Hardware encoding and decoding H.265, H.264; H.265/H.264/AV1/VP9/AVS2 Video decoding. Max. 8K@60fps H.264/H.265 Video Coding, Max. 8K@30fps
Active Image Resolution	Minimum 1 Mbps for 4K at 30fps; dual 4K at 30fps on main and auxiliary streams with minimum 2 Mbps. Minimum 512 Kbps for 1080p at 60fps; 4K at 60fps supported on minimum 2 Mbps
Other Image Feature	Dual screen different display
Audio Features	
Input	1x Built-in array microphone; 1x Microphone (mini cannon interface), support phantom power supply; 1x 3.5mm linear input; 1x HDMI IN; 1x Bluetooth audio input (optional)
Output	1x 3.5mm linear output; 1x HDMI OUT; 1x Bluetooth audio output (optional)
Features	Automatic gain control (AGC); Automatic echo cancellation (AEC); Automatic noise suppression (ANS)
I/O	
Power Interface	1x DC 12V Power Interface
Indicator	1x Two color indicator
IR Interface	1x IR interface
TF Card Interface	1x TF card interface, support 128G (max.)
Network Interface	1x RJ45: 10/100/1000 Base-T
Video Input Interface	1x Integrated camera; 1x HDMI, supports HDMI 2.0, Max. 4K@60fps
Video Output Interface	2x HDMI, HDMI 2.1, CEC, Max. 4K@60fps
Connectivity	1x WiFi, 802.11a/b/g/n/ac (optional)

For technical or sales support, please visit:

www.starviewint.asia

Performance specifications are typical. Due to constant research, specifications are subject to change without notice. For the most up-to-date specifications, please contact an authorized Starview representative.

For assistance with confirming the Jurisdiction & Classification of Starview Asia products, please contact info@starviewint.asia

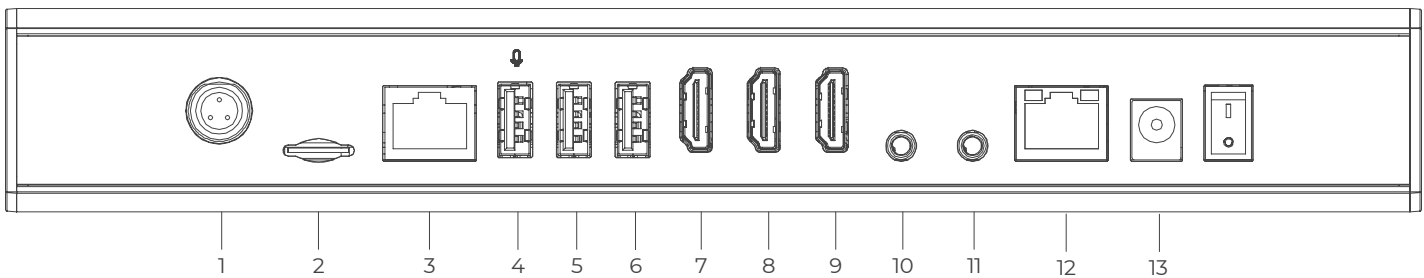
Copyright © 2025 STARVIEW ASIA. All rights reserved.
Australia Headquarters: Level 40, 140 Williams Street, Melbourne VIC 3000, Australia

General Specification

Dimension (W x D x H)	258 × 146 × 170mm
Power Supply	DC 12V
Power Consumption	36W
Environmental Requirements	<ul style="list-style-type: none"> • Temperature: 0°C ~ 40°C (Operating), -40°C ~ 70°C (Non-operating) • Humidity: 10% ~ 80% (Operating), 0% ~ 95% (Non-operating)
Certification and Standards ¹	CTA

¹ The listed certifications are issued for markets in different regions. For the current status of the listed certifications in you

INTERFACE DIAGRAM



- | | | |
|----------------|------------------|---------------|
| 1 - Mini xlr | 6 - USB | 11 - LINE OUT |
| 2 - TF | 7 - HDMI OUT 2.1 | 12 - NET |
| 3 - DMIC/TOUCH | 8 - HDMI OUT 2.1 | 13 - DC 12V |
| 4 - USB | 9 - HDMI IN | |
| 5 - USB | 10 - LINE IN | |

For technical or sales support, please visit:

www.starviewint.asia

Performance specifications are typical. Due to constant research, specifications are subject to change without notice. For the most up-to-date specifications, please contact an authorized Starview representative.

For assistance with confirming the Jurisdiction & Classification of Starview Asia products, please contact info@starviewint.asia

Copyright © 2025 STARVIEW ASIA. All rights reserved.
Australia Headquarters: Level 40, 140 Williams Street, Melbourne VIC 3000, Australia

ALL-IN-ONE 4K INTELLIGENT VIDEO CONFERENCING ENDPOINT

SA-C360

4K endpoint, microphone, speaker, camera and endpoint all-in-one design, impressive video and audio performance, minimal configuration and simple to use. Best choice for enterprise/government collaboration, online health-care, online teaching/learning and conferencing.



FEATURES

• All-In-One Integration

An all-in-one design featuring an ultra-high-definition camera, array microphone, full-range speaker, and Android conference terminal, effectively reducing the complexity of wiring and installation.

• Super Computing Power

Android 12.0 operating system, equipped with 4-core A76 + 4-core A55, 6 TOPS super computing power NPU.

• Super Decoding

Support H.265/H.264/AV1/VP9/AVS2 video decoding, up to 8K@60fps. Support H.264/H.265 video encoding, up to 8K@30fps.

• One machine for two purposes

It can be used as an Android video conferencing terminal, or as an audio/video integrated USB camera connected to a PC as a peripheral, with rich application scenarios.

• Dual-screen display

Supporting two HD video outputs, it can be connected to two largescreen display devices at the same time, which can not only display the conference screen but also share pictures, videos and documents, enhancing the conference experience.

• AI Algorithm

Built-in AI automatic framing algorithm can recognize the position of the participants and automatically adjust the lens angle to get the best view; at the same time, built-in AI sound tracking algorithm can quickly lock the speakers according to the sound positioning and focus on the close-ups.

Technical specifications**SA-C360**

Standard & Protocol	
Operating System	Android 12
CPU	4x Cortex-A76@2.4GHz; 4x Cortex-A55@1.8GHz
Video Input Interface	1x Integrated camera; 1x HDMI, supports HDMI 2.0, Max. 4K@30fps
Video Output Interface	2x HDMI OUT, supports HDMI 2., Max. 4K@60fps
Video Coding	H.264/H.265, Max. 8K@30fps
Video Decoding	H.265/H.264/AV1/VP9/AVS2, Max. 8K@60fps
USB Interface	1x USB 3.0 Type-A Host; 1x USB 3.0 Type-A OTG; 1x USB 3.0 Type-C (Used to connect a PC as a camera and SpeakerPhone apply)
System	
RAM	4GB
ROM	16GB EMMC (optional 32GB)
Video Features	
Built-in Camera	<ul style="list-style-type: none"> • Sensor: 1/2.5 inch CMOS, effective pixel 8.51MP • Field of view angle: DFOV: 121°, HFOV: 110° <ul style="list-style-type: none"> • 5x Digital zoom • Pan head: Mechanical pan head; Horizontal/pitch: ± 15°; Electronic pan tilt • Backlight compensation: Supported • Digital noise reduction: 2D and 3D digital noise reduction <ul style="list-style-type: none"> • Signal to noise ratio: ≥ 55dB
AI Tracking	Supports
Other Image Features	Dual screen different display
Other Image Feature	Dual screen different display
Audio Features	
Input	1x Built-in microphone; 1x USB; 1x HDMI embedded audio input; 1x Bluetooth audio input (optional); 1x 3.5mm linear input
Output	1x Integrated speaker (SPL 96dB@0.5m); 1x USB; 1x HDMI embedded audio output; 1x Bluetooth audio output (optional); 1x 3.5mm linear output
Features	Automatic gain control; Automatic echo cancellation; Automatic noise suppression; Automatic lip sync
Other I/O	
Power Interface	1x DC 12V Power Interface
Network Interface	1x Two color indicator
Connectivity	1x IR interface
Bluetooth (Optional)	1x TF card interface, support 128G (max.)

For technical or sales support, please visit:

www.starviewint.asia

Performance specifications are typical. Due to constant research, specifications are subject to change without notice. For the most up-to-date specifications, please contact an authorized Starview representative.

For assistance with confirming the Jurisdiction & Classification of Starview Asia products, please contact info@starviewint.asia

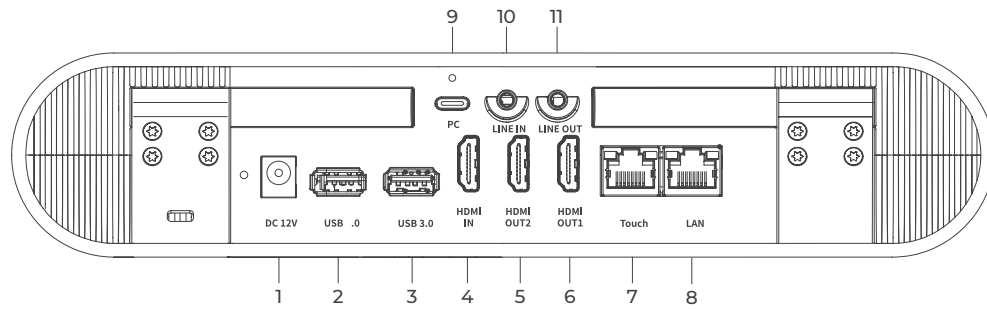
Copyright © 2025 STARVIEW ASIA. All rights reserved.
Australia Headquarters: Level 40, 140 Williams Street, Melbourne VIC 3000, Australia

General Specification

Dimension (W x D x H)	601 × 141 × 115 mm
Power Supply	DC 12V
Power Consumption	36 W
Environmental Requirement	<ul style="list-style-type: none"> • Temperature: 0°C ~ 40°C (Operating), -40°C ~ 70°C (Non-operating) • Humidity: 10% ~ 80% (Operating), 0% ~ 95% (Non-operating)
Certification and Standards ¹	CE, RoHS, CQC

¹ The listed certifications are issued for markets in different regions. For the current status of the listed certifications in you

INTERFACE DIAGRAM



- | | | |
|-------------|---------------|---------------|
| 1 - DC 12V | 5 - HDMI OUT1 | 9 - Type-C |
| 2 - USB3.0 | 6 - HDMI OUT2 | 10 - LINE IN |
| 3 - USB3.0 | 7 - Touch | 11 - LINE OUT |
| 4 - HDMI IN | 8 - LAN | |

For technical or sales support, please visit:
www.starviewint.asia

Performance specifications are typical. Due to constant research, specifications are subject to change without notice. For the most up-to-date specifications, please contact an authorized Starview representative.

For assistance with confirming the Jurisdiction & Classification of Starview Asia products, please contact info@starviewint.asia

Copyright © 2025 STARVIEW ASIA. All rights reserved.
 Australia Headquarters: Level 40, 140 Williams Street, Melbourne VIC 3000, Australia

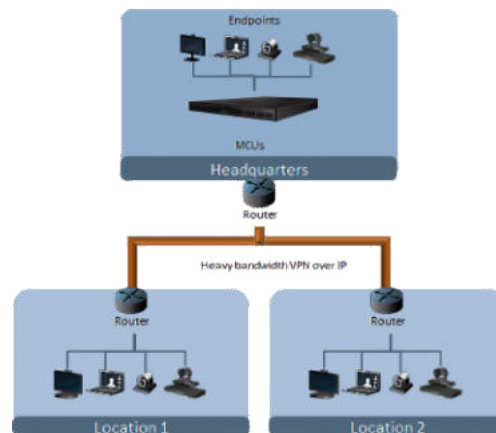
HD VIDEO CONFERENCING MULTIPOINT CONTROL UNIT (MCU)

SA-MCU128

The Starview SA-MCU128 is the next generation platform from Starview for HD multi-party video collaboration. The SA-MCU128 harnesses revolutionary processing power to support demanding conferencing applications. Dual 1080p@60fps for video and content, simultaneous H.264 High Profile for bandwidth efficiency and H.264 Scalable Video Coding (SVC) deliver flexible multi-party collaboration. Hybrid architecture with hardware accelerator components delivers unmatched density, and minimizes the power and rack space required. Dedicated processing helps ensure conference participants receive high quality without lowering overall performance. Each user can choose their own video layout with up to 36 participants displayed. Interoperate with major vendors H.323 and SIP video endpoints, and connect with leading UC platforms, via Starview infrastructure and software.



SA-MCU128



Centralized MCU deployment

FEATURES

• Complete Video Conferencing Solution

Provides complete point-to-point and multipoint conference functionality such as gateway, GK call control and efficient network resource management.

• Provide end-to-end Connection

The mature solution has passed the market test and has perfect connection capability, it can support different networks such as H.323 and SIP, and can connect different terminal devices such as conference rooms and desktops.

• Flexible Conference Organization and Management

Use the conference template to directly hold a conference, you can manually select the conference scene, automatically split the screen, and rotate the venue.

• Support Venue Name & Dynamic Subtitle

Support the display of venue name to facilitate users to identify different venues; support static and dynamic subtitles in Chinese and English to facilitate users to transmit instant information; support adjustable subtitle color, background color, transparency, and scrolling speed.

• Rich Audio & Video Processing Capability

Support audio and video coding conversion, the maximum video capacity is 128 x 1080p HD. User can enjoy the full benefits of advanced video processing, including: multiple split-screen mode (up to 16 split-screen), rate matching, text and image overlay, and speaker highlighting. Improve video quality under network packet loss to ensure that the best video quality is always provided.

• Firewall Security

Built-in firewall Traversal server (H.460 Server), support NAT and dynamic traversal.

• Excellent Bandwidth Control & Adaptive Capability

The optimized H.264 video compression algorithm enables video resolution to reach the high-definition effect when the bandwidth is less than 1Mbps. While the network condition changes, the system can also adjust adaptively to achieve the best comprehensive quality of the conference.

• Super Mixing Protocol & Mixing Resolution & Mixing Speed Capability

The video conference terminals can use different video compression coding protocols, video resolutions, and bandwidths to access conference in the same group.

• Intelligent Disconnection Reinvition

While network disconnected abnormally, the system will be automatically reconnected to reduce the operation and maintenance pressure.

• Flexible Conference Organization and Management

Use the conference template to directly hold a conference, you can manually select the conference scene, automatically split the screen, and rotate the venue.

Technical specifications**SA-MCU128**

Standard & Protocol	
Multimedia Framework Protocol	ITU-T H.323, IETF SIP
Video Codec Protocol	H.261, H.263, H.263+, H.263++, H.264, H.264 High Profile, H.264 SVC
Audio Codec Protocol	G.711, G.719, G.722, G.722.1*, G.722.1C*, AAC-LD, G.726, SILK, Opus
Double Stream Protocol	ITU-T H.239, IETF BFCP
Video Codec Format	H.221, H.224, H.225, H.235, H.241, H.245, H.281, H.350, H.460, T.140, DTMF
Remote Camera Control	TCP/IP, UDP, DHCP, SSH, HTTP, HTTPS, with SSL/TLS, RTP, RTCP, RFC3261, RFC3264, RFC2190, RFC3407, RFC2833, RFC4585 (RTP/AVPF), SNTP, ARP
Conference Capacities	
Max. Video Capacity (1080P)	Support 8/16/24/32/48/64/128 1080p HD conferences
Max. Voice Communication	128
Max. Number of Conference	36
1080p@60fps	Support
HD & SD Mixed	Support 8/16/24/32/48/64/128 1080p HD conferences
H.323 & SIP Mixed	128
Video & Audio Mixed	36
Mixed Rate	Support
Mixed Audio Protocol	Support
Conference Modes	
Layout	Conference mode, speaker mode
Mixed Protocol	Support
Mixed Resolution	Support
Mixed Speed Conference	Support
Main Venue Rotation	Support
Voice Stimulation	Support
Auto Disconnect & Re-invite	Support
Stable Security	
Network Adaptability	Support Diffserv, TOS, and IP Priority
NAT/ Firewall Traversal	Provide a new solution for traversing firewalls and NAT, support dynamic NAT traversal without setup
MTBF	> 120,000/h

For technical or sales support, please visit:

www.starviewint.asia

Performance specifications are typical. Due to constant research, specifications are subject to change without notice. For the most up-to-date specifications, please contact an authorized Starview representative.

For assistance with confirming the Jurisdiction & Classification of Starview Asia products, please contact info@starviewint.asia

Copyright © 2025 STARVIEW ASIA. All rights reserved.
Australia Headquarters: Level 40, 140 Williams Street, Melbourne VIC 3000, Australia

Split Screen Multi-screen Display

Multi-screen Setup	1, 2, 3, 4, 5 + 1, 9, 8 + 2, 12 + 1, 14 + 1, 16
Multi-split Screen Modes	Manual Selection, Auto Split, Venue Rotation
Multiple Dynamic Split Screen Switching Modes	1x built-in camera input; 1x DVI-I (HDMI, VGA/YPbPr); 1x RTSP (optional)
Multi-split Screen Modes in H.263 & H.264	2x HDMI

Voice Conference Access

H.323 Voice Access	Conferencing Features
SIP IP Phone Access	Multi language

Bandwidth

IP	128 kbps ~ 16 Mbps
----	--------------------

I/O

Control Interface	1x DB9
USB Interface	128 kbps ~ 16 Mbps
Output Interface	128 kbps ~ 16 Mbps
Network Interface	128 kbps ~ 16 Mbps

Characters

Language	Multi language
Special Function	<ul style="list-style-type: none"> • Built-in GK registration management, support up to 200 simultaneous registrations (optional) <ul style="list-style-type: none"> • Remote control • WEB control for remote management and maintenance <ul style="list-style-type: none"> • Built-in HD soft terminal (optional) • Multicast (optional)

Maintenance and Management

Remote Upgrade	Support
System Log	Support

General Specifications

Dimension (W x D x H)	Remote Upgrade
Weight	Remote Upgrade
Power Supply	Remote Upgrade
Power Consumption	Remote Upgrade
Environmental Requirement	<ul style="list-style-type: none"> • Operating Temperature: 0°C ~ 40°C; • Storage Temperature: -20°C ~ 70°C; • Relative Humidity: 5% ~ 90% (non-condensable)
Certification and Standards ¹	CE, RoHS, FCC

¹ The listed certifications are issued for markets in different regions. For the current status of the listed certifications in you

For technical or sales support, please visit:
www.starviewint.asia

Performance specifications are typical. Due to constant research, specifications are subject to change without notice. For the most up-to-date specifications, please contact an authorized Starview representative.

For assistance with confirming the Jurisdiction & Classification of Starview Asia products, please contact info@starviewint.asia

Copyright © 2025 STARVIEW ASIA. All rights reserved.
Australia Headquarters: Level 40, 140 Williams Street, Melbourne VIC 3000, Australia

4K INTELLIGENT NDI PTZ CAMERA

SA-C40VU

Designed for professional broadcasting, educational recording, administrative meetings, and more, the camera offers a resolution of 4K at 60 frames per second (fps). Equipped with AI humanoid tracking algorithms and PTZ, it achieves stable tracking throughout the venue.



4K 60FPS



Optical
Zoom



AI Humanoid
Tracking



Remote
Control



Multiple
Interfaces

FEATURES

• 4K@60FPS

Utilizes a UHD CMOS sensor with a 1/1.8-inch size and 8.42 million pixels.

• Long Optical Zoom + UHD Lens

Equipped with 4K Ultra HD Long Focal Length Lens, supporting a maximum 20x optical zoom and a 60° FoV.

• Humanoid Tracking

Equipped with in-house-developed ReID technology, the device identifies the speaker's figure, appearance, and outfit. As the speaker moves within the room, the camera automatically tracks them, ensuring the target remains centered. Even if there are interferences or the speaker exits the frame, the camera swiftly recaptures and tracks them upon reentry.

• Built-in Gravity (Optional)

Support for automatic image flip, the camera can be installed, hanging, to meet the needs of more practical engineering projects.

• Low-Light Enhancement

A brand-new CMOS image sensor with a 55dB SNR effectively reduces image noise in low-light conditions. The 3D noise reduction significantly lowers image noise, ensuring clear images in low-light situations.

• Remote Control

Multiple control options, including RS232, RS422/RS485, network, and USB for camera control.

• Uncompressed Professional Video Output

Supports HDMI 2.0 and 12G-SDI interfaces, enabling uncompressed 4K@60fps digital video output.

• Support Dante AV-H (Optional)

Transmit high-quality audio and video in real-time via Ethernet, compatible with Starview products. Control and manage with Starview Controller, using network time protocol for flexible and low-latency routing.

• Supports NDI|HX2 (Optional)

This camera supports the next-generation network video transmission technology NDI|HX2, featuring plug-and-play, low latency, and easy deployment. It supports simultaneous transmission of audio, video, and control signals.

• Multiple Interfaces

In addition to the HDMI 2.0 interface, it features a 12G-SDI interface. HDMI, 12G-SDI, USB, and LAN can simultaneously output four HD digital signals.

Technical specifications**SA-C40VU****Camera Specifications**

Signal System	<ul style="list-style-type: none"> • HDMI: 4K@60fps, 4K@59.94fps, 4K@50fps, 4K@30fps, 4K@29.97fps, 4K@25fps, 1080@60fps, 1080@59.94fps, 1080@50fps, 1080@30fps, 1080@29.97fps, 1080i@60fps, 1080i@59.94fps, 1080i@50fps • 12G-SDI: 4K@60fps, 4K@59.94fps, 4K@50fps, 4K@30fps, 4K@25fps, 4K@29.97fps, 1080@60fps, 1080@50fps, 1080i@60fps, 1080i@50fps, 1080@30fps, 1080@29.97fps, 1080@59.94fps, 1080i@59.94fps, 1080@29.97fps, 720@60fps, 720@59.94fps
Sensor	1/1.8 inches, CMOS, Effective Pixels: 8.42 Megapixels
Lens	20x, f = 6.25 mm ~ 125 mm, F1.58 ~ F3.95
FOV	Horizontal: 60° ~ 3.5°; Vertical: 35.7° ~ 2.0°
Scanning Mode	Progressive
Digital Zoom	16x
Minimum Illumination	0.5Lux @ (F1.8, AGC ON)
Shutter	1/30s ~ 1/10000s
White Balance	Auto, Indoor, Outdoor, One Push, Manual
Backlight Compensation	Support
Digital Noise Reduction	3D Digital Noise Reduction
SNR	≥ 55dB
Pan Angle	± 162.5°
Tilt Angle	- 30° ~ +90°
Pan Speed	1.8°/s ~ 80°/s
Tilt Speed	1.5°/s ~ 49°/s
Image Flip	Support
Image Freeze	Support
Preset Position	255
Preset Accuracy	0.1°

USB Specifications

Operating System Supported	Windows 7 (only supports UVC1.1 features), Windows 8 and above version, Mac OS X, Linux 2.4.6 and above version, Android needs to include the version of UVC-related drivers
USB Audio	Support
USB Video Communication Protocol	UVC 1.1 ~ 1.5
USB Video Format	YUY2: Max. 1080@5fps; H.264 AVC: Max. 2160@30fps; H.265 HEVC: Max. 2160@30fps; MJPEG: Max. 2160@30fps.
Color System/ Compression	YUY2 / H.264 / MJPEG / H.265
UVC PTZ Control	Support

For technical or sales support, please visit:

www.starviewint.asia

Performance specifications are typical. Due to constant research, specifications are subject to change without notice. For the most up-to-date specifications, please contact an authorized Starview representative.

For assistance with confirming the Jurisdiction & Classification of Starview Asia products, please contact info@starviewint.asia

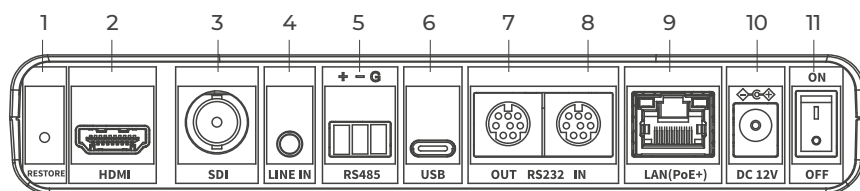
Copyright © 2025 STARVIEW ASIA. All rights reserved.
Australia Headquarters: Level 40, 140 Williams Street, Melbourne VIC 3000, Australia

Network Specifications	
Video Compression	1/1.8 inches, CMOS, Effective Pixels: 8.42 Megapixels
Video Stream	1/1.8 inches, CMOS, Effective Pixels: 8.42 Megapixels
First Stream Resolution	1/1.8 inches, CMOS, Effective Pixels: 8.42 Megapixels
Second Stream Resolution	1/1.8 inches, CMOS, Effective Pixels: 8.42 Megapixels
Video Bit Rate	1/1.8 inches, CMOS, Effective Pixels: 8.42 Megapixels
Bit Rate Control	20x, f = 6.25 mm ~ 125 mm, F1.58 ~ F3.95
Frame Rate	Horizontal: 60° ~ 3.5°; Vertical: 35.7° ~ 2.0°
Audio Bit Rate	Progressive
Protocols	16x
Audio Compression	0.5Lux @ (F1.8, AGC ON)

Interfaces	
USB Interface	Auto, Indoor, Outdoor, One Push, Manual
Control Interface	1x RS485: 2 pin Phoenix port, Max. Distance: 1200m, Protocol: VISCA / Pelco-D / Pelco-P; 1x RS232 IN: 8 pin Mini DIN, Max. Distance: 30m, Protocol: VISCA / Pelco-D / Pelco-P; 1x RS232 OUT: 8 pin Mini DIN, Max. Distance: 30m, Protocol: VISCA only.
Network Interface	≥ 55dB
Audio Interface	± 162.5°
RESTORE Button	- 30° ~ +90°
Power Interface	1.8°/s ~ 80°/s
HD Output	1x HDMI: Version 2.0; 1x 12G-SDI: BNC, 800mVp-p, 75Ω, as per SMPTE2082 standard

General Specifications	
Display	255
Power Supply	0.1°
Power Consumption	USB Specifications
Environmental Requirement	<ul style="list-style-type: none"> • Operating Temperature: 0°C ~ 40°C; • Storage Temperature: -40°C ~ 60°C; • Relative Humidity: 5% ~ 90% (non-condensable)
Dimension (W x D x H)	223 × 163 × 166 mm
Weight	1.8 kg

INTERFACE DIAGRAM



- | | | |
|-------------|---------------|-------------|
| 1 - RESTORE | 5 - RS485 | |
| 2 - HDMI | 6 - USB | 9 - LAN |
| 3 - SDI | 7 - RS232 OUT | 10 - DC 12V |
| 4 - LINE IN | 8 - RS232 IN | 11 - ON/OFF |

For technical or sales support, please visit:

www.starviewint.asia

Performance specifications are typical. Due to constant research, specifications are subject to change without notice. For the most up-to-date specifications, please contact an authorized Starview representative.

For assistance with confirming the Jurisdiction & Classification of Starview Asia products, please contact info@starviewint.asia

Copyright © 2025 STARVIEW ASIA. All rights reserved.
Australia Headquarters: Level 40, 140 Williams Street, Melbourne VIC 3000, Australia

4K INTELLIGENT NDI PTZ CAMERA

SA-C20VF

Designed for professional broadcasting, educational recording, administrative meetings, and more, the camera offers a resolution of 4K at 60 frames per second (fps). Equipped with AI humanoid tracking algorithms and PTZ, it achieves stable tracking throughout the venue



FEATURES

• 4K@60FPS

Utilizes a UHD CMOS sensor with a 1/2.5-inch size and 8.51 million pixels. Both models deliver images at a resolution of 4K at 60fps and are backward compatible with resolutions such as 1080p/720p.

• Long Optical Zoom + UHD Lens

Equipped with 4K Ultra HD wide-angle lens, supporting a maximum 12x optical zoom, and an 80.8° horizontal FoV.

• Humanoid Tracking

Equipped with in-house-developed ReID technology, the device identifies the speaker's figure, appearance, and outfit. As the speaker moves within the room, the camera automatically tracks them, ensuring the target remains centered. Even if there are interferences or the speaker exits the frame, the camera swiftly recaptures and tracks them upon reentry.

• Remote Control

Multiple control options, including RS232, RS485, network, and USB for camera control.

• Built-in Gravity (Optional)

Support for automatic image flip, the camera can be installed, hanging, to meet the needs of more practical engineering projects.

• Low-Light Enhancement

A brand-new CMOS image sensor with a 55dB SNR effectively reduces image noise in low-light conditions. The 3D noise reduction significantly lowers image noise, ensuring clear images in low-light situations.

• Remote Control

Multiple control options, including RS232, RS485, network, and USB for camera control.

• Uncompressed Professional Video Output

Supports HDMI 2.0 and 3G-SDI interfaces, allowing output of uncompressed digital video.

• Support Dante AV-H (Optional)

Transmit high-quality audio and video in real-time via Ethernet, compatible with Starview products. Control and manage with Starview Controller, using network time protocol for flexible and low-latency routing.

• Supports NDI|HX2 (Optional)

In addition to the HDMI 2.0 interface, it comes with a 3G-SDI interface with a transmission distance of 150 meters (1080p@30fps). HDMI, 3G-SDI, USB, and LAN can simultaneously output three HD digital signals

• Multiple Interfaces

In addition to the HDMI 2.0 interface, it features a 12G-SDI interface. HDMI, 12G-SDI, USB, and LAN can simultaneously output four HD digital signals.

Note: 1. For simultaneous output of four HD digital signals, please get in touch with the manufacturer for specific version support.

Technical specifications

SA-C20VF

Camera Specifications

Signal System	<ul style="list-style-type: none"> • 3G-SDI: 1080@60fps, 1080@50fps, 1080@30fps, 1080@29.97fps, 1080@59.94fps, 1080@25fps; 1080i@60fps, 1080i@50fps, 1080i@59.94fps; 720@60fps, 720@59.94fps • 12G-SDI: 4K@60fps, 4K@59.94fps, 4K@50fps, 4K@30fps, 4K@25fps, 4K@29.97fps, 1080@60fps, 1080@50fps, 1080i@60fps, 1080i@50fps, 1080@30fps, 1080@59.94fps, 1080i@59.94fps, 1080@29.97fps, 720@60fps, 720@59.94fps
Sensor	1/2.5 inches, CMOS, Effective Pixels: 8.51 Megapixels
Lens	12x, f = 3.47 mm ~ 41.65 mm, F1.84 ~ F3.72
FOV	Horizontal: 80.8° ~ 7.5°; Vertical: 49.9° ~ 4.3°
Scanning Mode	Progressive
Digital Zoom	16x
Minimum Illumination	0.5Lux @ (F1.8, AGC ON)
Shutter	1/30s ~ 1/10000s
White Balance	Auto, Indoor, Outdoor, One Push, Manual
Backlight Compensation	Support
Digital Noise Reduction	3D Digital Noise Reduction
SNR	≥ 55dB
Pan Angle	± 162.5°
Tilt Angle	- 30° ~ +90°
Pan Speed	1.8°/s ~ 80°/s
Tilt Speed	1.5°/s ~ 49°/s
Image Flip	Support
Image Freeze	Support
Preset Position	255
Preset Accuracy	0.1°

USB Specifications

Operating System Supported	Windows 7 (only supports UVC1.1 features), Windows 8 and above version, Mac OS X, Linux 2.4.6 and above version, Android needs to include the version of UVC-related drivers
USB Audio	Support
USB Video Communication Protocol	UVC 1.1 ~ 1.5
USB Video Format	YUY2: Max. 1080@30fps (USB3.0); YUY2: Max. 1080@5fps (USB2.0); H.264 AVC: Max. 2160@30fps; H.265 HEVC: Max. 2160@30fps; MJPEG: Max. 2160@30fps.
Color System/ Compression	YUY2 / H.264 / MJPEG / H.265
UVC PTZ Control	Support

For technical or sales support, please visit:

www.starviewint.asia

Performance specifications are typical. Due to constant research, specifications are subject to change without notice. For the most up-to-date specifications, please contact an authorized Starview representative.

For assistance with confirming the Jurisdiction & Classification of Starview Asia products, please contact info@starviewint.asia

Copyright © 2025 STARVIEW ASIA. All rights reserved.
Australia Headquarters: Level 40, 140 Williams Street, Melbourne VIC 3000, Australia

Network Specifications	
Video Compression	H.265 / H.264 / MJPEG
Video Stream	First Stream, Second Stream
First Stream Resolution	3840×2160, 1920×1080, 1280×720, 1024×576, etc.
Second Stream Resolution	720×480, 320×240, etc.
Video Bit Rate	First Stream: 32 Kbps ~ 51,200 Kbps; Second Stream: 32 Kbps ~ 20,480 Kbps
Bit Rate Control	VBR, CBR
Frame Rate	50Hz: 1 fps ~ 50 fps, 60Hz: 1 fps ~ 60 fps
Audio Bit Rate	96 Kbps, 128 Kbps
Protocols	AV-H, NDI HX2, SRT, TCP/IP, HTTP, RTSP, RTMP(s), Onvif, DHCP, GB/T 28181, Multicast, etc.
Audio Compression	AAC, G711A

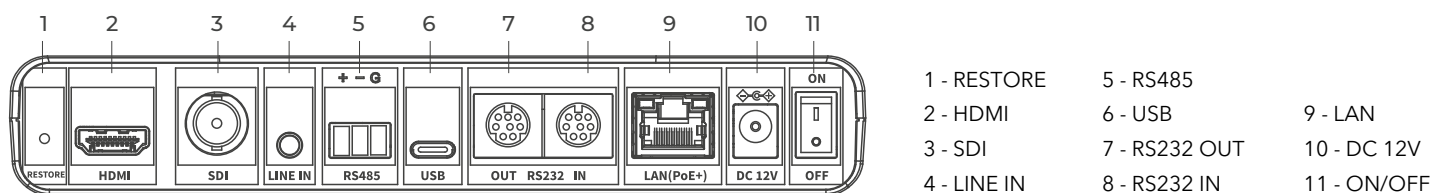
• I/O

USB Interface	1x USB2.0: Type-C (Optional upgrade to USB3.0)
Control Interface	1x RS485: 3 pin Phoenix port, Max Distance: 1200m, Protocol: VISCA / Pelco-D / Pelco-P 1x RS232 IN: 8 pin Mini DIN, Max. Distance: 30m, Protocol: VISCA / Pelco-D / Pelco-P; 1x RS232 OUT: 8 pin Mini DIN, Max. Distance: 30m, Protocol: VISCA only.
Network Interface	1x RJ45: 10M/100M/1000M adaptive Ethernet
Audio Interface	1x LINE IN: 3.5mm Jack
RESTORE Button	Support
Power Interface	JEITA type (DC IN 12V)
HD Output	1x HDMI: Version 2.0; 1x 3G-SDI: BNC, 800mVp-p, 75Ω, as per SMPTE424M standard

General Specifications

Display	Support
Power Supply	DC 12V / PoE+ (802.3at)
Power Consumption	18W
Environmental Requirement	<ul style="list-style-type: none"> • Operating Temperature: 0°C ~ 40°C; • Storage Temperature: -40°C ~ 60°C; • Relative Humidity: 5% ~ 90% (non-condensable)
Dimension (W x D x H)	223 × 163 × 166 mm
Weight	1.8 kg

INTERFACE DIAGRAM



For technical or sales support, please visit:

www.starviewint.asia

Performance specifications are typical. Due to constant research, specifications are subject to change without notice. For the most up-to-date specifications, please contact an authorized Starview representative.

For assistance with confirming the Jurisdiction & Classification of Starview Asia products, please contact info@starviewint.asia

Copyright © 2025 STARVIEW ASIA. All rights reserved.
Australia Headquarters: Level 40, 140 Williams Street, Melbourne VIC 3000, Australia

FULL HD INTELLIGENT PROFESSIONAL NDI PTZ CAMERA

SA-C10ALS

Designed for activities such as work presentations and business negotiations, the cameras feature 1080P Full HD telephoto lenses with 20x optical zoom, ensuring clarity at various distances. Equipped with AI automatic framing and humanoid tracking algorithms, these cameras provide a professional and intelligent meeting experience without manual intervention.



FEATURES

• 1080P Full HD

Utilizing a 1/2.8-inch, 2.07 million effective pixel HD CMOS sensor, these cameras achieve a maximum resolution of 1920×1080.

• High-Quality Optical Zoom + HD Lens

Equipped with a full HD wide angle lens, supporting a classic 12x optical zoom with a 72.5° horizontal FoV.

• Auto Focus

Incorporating advanced focusing algorithms, the lens achieves rapid, accurate, and stable focusing.

• ISP Image Processing Algorithm

It uses ISP image processing algorithms to enhance white balance and automatic exposure functions, significantly improving the camera's image output. Widely applied in industries such as education recording, remote education, video conferencing, live streaming, and broadcasting.

• Full Interface Low Latency

All video output interfaces meet low latency standards, supporting 4 simultaneous outputs, all capable of 1080P@60.

• Humanoid Tracking

Equipped with in-house-developed ReID technology, the device identifies the speaker's figure, appearance, and outfit. As the speaker moves within the room, the camera automatically tracks them, ensuring the target remains centered. Even if there are interferences or the speaker exits the frame, the camera swiftly recaptures and tracks them upon reentry.

• Support FULL NDI

Support FULL NDI, which allows the transmission of NDI-encoded videos. They are also backward compatible with NDI®|HX2 protocol, which requires lower network bandwidth and enables low-latency transmission of H.265/H.264 encoded videos.

Note: NDI is an optional feature, with a free trial of 25 minutes each time the device is powered on. A complete experience requires additional payment.

Camera Specifications

Signal System	<ul style="list-style-type: none"> HDMI, 3G-SDI: 1080P@60fps, 1080P@59.94fps, 1080P@50fps, 1080I@60fps, 1080I@59.94fps, 1080I@50fps, 1080P@30fps, 1080P@29.97fps, 1080P@25fps, 720P@60fps, 720P@59.94fps, 720P@50fps
Sensor	1/2.8 inches, CMOS, Effective Pixels: 2.07 Megapixels
Lens	12x, f = 3.5mm ~ 42.3mm, F1.8 ~ F2.8
FOV	Horizontal: 72.5° ~ 6.9°; Vertical: 44.8° ~ 3.9°
Scanning Mode	Progressive
Digital Zoom	16x
Minimum Illumination	0.5Lux @ (F1.8, AGC ON)
Shutter	1/30s ~ 1/10000s
White Balance	Auto, Indoor, Outdoor, One Push, Manual, VAR
Backlight Compensation	Support
Digital Noise Reduction	3D Digital Noise Reduction
SNR	≥ 55dB
Pan Angle	± 170°
Tilt Angle	- 30° ~ +90°
Pan Speed	1.7°/s ~ 100°/s
Tilt Speed	1.7°/s ~ 69.9°/s
Image Flip	Support
Image Freeze	Support
Preset Position	255
Preset Accuracy	0.1°

Audio Features

Microphone Array	Built-in dual microphones, 100Hz to 16KHz frequency response.
Analog Audio Input/Output	Support 3.5mm Line-In; Support 3.5mm Line-Out
Digital Audio Output	Support HDMI, USB, LAN, 3G-SDI, etc.
I/O	
Audio Interface	1x Line In, 3.5mm Jack; 1x Line Out, 3.5mm Jack
Control Interface	1x RS485: 2pin phoenix port, Max Distance: 1200m, Protocol: VISCA / Pelco-D / Pelco-P; 1x RS232 IN: 8pin Mini DIN, Max Distance: 30m, Protocol: VISCA / Pelco-D / Pelco-P; 1x RS232 OUT: 8pin Mini DIN, Max Distance: 30m, Protocol: VISCA only
Power Interface	JEITA type (DC IN 12V)
HD Output	1x 3G-SDI: BNC, 800mVp-p, 75Ω, as per SMPTE 424M standard

For technical or sales support, please visit:
www.starviewint.asia

Performance specifications are typical. Due to constant research, specifications are subject to change without notice. For the most up-to-date specifications, please contact an authorized Starview representative.

For assistance with confirming the Jurisdiction & Classification of Starview Asia products, please contact info@starviewint.asia

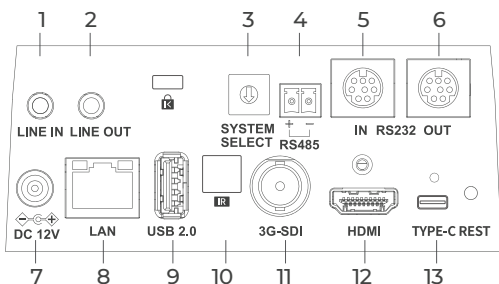
Copyright © 2025 STARVIEW ASIA. All rights reserved.
 Australia Headquarters: Level 40, 140 Williams Street, Melbourne VIC 3000, Australia

Network Specifications	
Video Compression	H.264 / MJPEG
Video Stream	First Stream, Second Stream
First Stream Resolution	1920×1080, 1280×720, 1024×576, etc
Second Stream Resolution	1280×720, 1024×576, 720×576, etc.
Video Bit Rate	32 Kbps ~ 20480 Kbps
Bit Rate Control	VBR, CBR
Frame Rate	51 fps ~ 60 fps
Audio Bit Rate	96 Kbps, 128 Kbps, 256 Kbps
Audio Compression	AAC
Protocols	Full NDI, NDI HX2, TCP/IP, HTTP, RTSP, RTMP, RTMP(s), Onvif, DHCP, Multicast, SRT, GB/T28181, etc.

USB Specifications	
Operating System Supported	Windows 7 (only supports UVC1.1 features), Windows 8 and above version, Mac OS X, Linux 2.4.6 and above version, Android needs to include the version of UVC-related drivers
Color System / Compression	YUY2 / H.264 / MJPEG
Video Format	Support a variety of different frame rates and resolution video formats, up to 1080p@60fps YUY2 output
USB Audio	32K Sampling Rate, Support UAC2.0
USB Video Communication Protocol	UVC 1.1 ~ 1.5
UVC PTZ Control	Support

General Specifications	
Power Supply	DC 12V / PoE+ (802.3at)
Power Consumption	15W (Max.)
Environmental Requirement	<ul style="list-style-type: none"> • Operating Temperature: 0°C ~ 40°C; • Storage Temperature: -40°C ~ 60°C; • Relative Humidity: 5% ~ 90% (non-condensable)
Dimension (W x D x H)	142 × 169 × 175 mm
Weight	1.5 kg

INTERFACE DIAGRAM



14

- | | | |
|-------------------|---------------|-------------|
| 1 - LINE IN | 5 - RS232 IN | 9 - 3G-SDI |
| 2 - LINE OUT | 6 - RS232 OUT | 10 - USB3.0 |
| 3 - SYSTEM SELECT | 7 - LAN | 11 - DC 12V |
| 4 - RS485 | 8 - HDMI | 12 - ON/OFF |

For technical or sales support, please visit:
www.starviewint.asia

Performance specifications are typical. Due to constant research, specifications are subject to change without notice. For the most up-to-date specifications, please contact an authorized Starview representative.

For assistance with confirming the Jurisdiction & Classification of Starview Asia products, please contact info@starviewint.asia

Copyright © 2025 STARVIEW ASIA. All rights reserved.
Australia Headquarters: Level 40, 140 Williams Street, Melbourne VIC 3000, Australia

4K VIDEO CONFERENCING PTZ CAMERA

SA-UVB50

Designed for corporate negotiations, remote learning, telemedicine, and more, the cameras feature a 4K UHD CMOS image sensor and a 12-20x ultra-long zoom lens, capturing clear images regardless of the distance. Equipped with a full-function USB interface, they can connect to laptops, conference hosts, and other devices, facilitating remote communication setup quickly.



4K UHD



Dual Stream



PoE



Remote Control



Multiple Interfaces

FEATURES

• 4K UHD

Uses a 1/2.8-inch, high-quality UHD CMOS sensor with a maximum of 8.42 million pixels. Capable of delivering superior 4K (3840 x 2160) resolution images. Also compatible with various resolutions, including 1080p and 720p.

• High-Quality Optical Zoom + Wide-angle Lens

Equipped with a 4K ultra-long zoom lens with 20x optical zoom, 16x digital zoom and a 60° FOV. Supports night vision mode, and the infrared filter can switch automatically.

• Remote Control

Various control methods are available, utilizing RS232 (RS485 optional) serial ports, network, and USB to manage camera settings.

• PoE

Enables power supply, control, and audio-video signal transmission to the camera through a PoE Ethernet cable.

• Support H.264 Encoding

Supports H.264 streaming with Slice and SVC encoding modes, catering to high-end USB conference video applications.

• Dual Streaming

Simultaneously supports two streams output (YUY2, MJPEG, H.264 in any two modes), alleviating the decoding pressure on the host system.

• Low Light Performance

The camera ensures clear images in low-light situations by using a CMOS image sensor of 55dB SNR and a 2D & 3D noise reduction to reduce image noise in low-light conditions.

• Multiple Interfaces

Supports simultaneous output of three 4K ultra-clear video streams through USB3.0, HDMI (optional), and network interfaces.

Technical specifications**SA-UVB50****Camera Specifications**

Signal System	4K@30fps, 4K@25fps, 1080@30fps, 1080@25fps
Sensor	1/2.8 inches, CMOS, Effective Pixels: 2.07 Megapixels
Lens	20x, f3.47mm ~ 41.65mm, F1.84 ~ F3.72
FOV	Horizontal: 60° ~ 3.5°; Vertical: 35.7° ~ 2.0°
Scanning Mode	Progressive
Digital Zoom	16x
Minimum Illumination	0.5Lux @ (F1.8, AGC ON)
Shutter	1/30s ~ 1/10000s
White Balance	Auto, Indoor, Outdoor, One Push, Manual, VAR
Backlight Compensation	Support
Digital Noise Reduction	2D & 3D Digital Noise Reduction
SNR	≥ 55dB
Pan Angle	± 170°
Tilt Angle	- 30° ~ +90°
Pan Speed	2.7°/s ~ 35.7°/s
Tilt Speed	2.7°/s ~ 31.5°/s
Image Flip	Support
Preset Position	255
Preset Accuracy	0.1°

USB Specifications

Operating System Supported	Windows 7 (only supports UVC1.1 features), Windows 8 and above version, MacOS 10.5 and above version, Linux 2.4.6 and above version, Android needs to include the version of UVC related drivers
Color System/ Compression	YUY2 / MJPEG / H.264
USB Video	Support
USB Video Communication Protocol	UVC 1.1 ~ 1.5
UVC PTZ Contro	Support
Video Format	YUY2: Max. 1080@30fps; MJPEG: Max. 2160@30fps; H.264 AVC: Max. 2160@30fps.

Network Specifications

Video Compression	H.264 / MJPEG
Video Stream	First Stream, Second Stream
First Stream Resolution	3840×2160, 1920×1080, 1280×720, etc.
Second Stream Resolution	1920×1080, 1280×720, 1024×576, etc.
Video Bit Rate	32 Kbps ~ 20,480 Kbps

For technical or sales support, please visit:

www.starviewint.asia

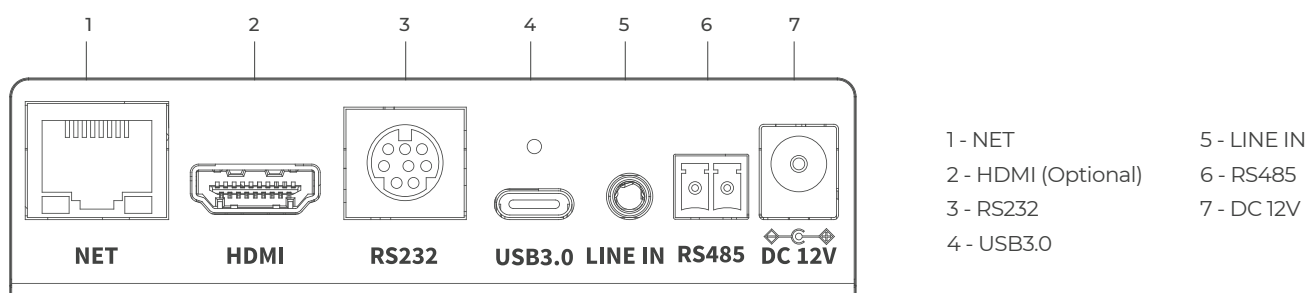
Performance specifications are typical. Due to constant research, specifications are subject to change without notice. For the most up-to-date specifications, please contact an authorized Starview representative.

For assistance with confirming the Jurisdiction & Classification of Starview Asia products, please contact info@starviewint.asia

Copyright © 2025 STARVIEW ASIA. All rights reserved.
Australia Headquarters: Level 40, 140 Williams Street, Melbourne VIC 3000, Australia

Bit Rate Control	VBR, CBR
Frame Rate	50Hz: 1 fps ~ 25 fps, 60Hz: 1 fps ~ 30 fps
Audio Bit Rate	96 Kbps, 128 Kbps, 256 Kbps
Protocols	NDI HX2, TCP/IP, HTTP, RTSP, RTMP(s), Onvif, DHCP, SRT, GB/T 28181, Multicast, etc.
Audio Compression	AAC
I/O	
USB Interface	1x USB 3.0: Type-C
Control Interface	1x RS485 IN (Optional): 2 pin Phoenix port, Max. Distance: 1200m, Protocol: VISCA / Pelco-D / Pelco-P 1x RS232 IN: 8 pin Mini DIN, Max Distance: 30m, Protocol: VISCA / Pelco-D / Pelco-P
Network Interface	1x RJ45: 10M / 100M adaptive Ethernet
Audio Interface	1x LINE IN: 3.5mm Jack
Power Interface	JEITA type (DC IN 12V)
HD Output	1x HDMI 1.4b
General Specifications	
Power Supply	DC 12V /PoE+ (802.3at)
Power Consumption	12W
Environmental Requirement	<ul style="list-style-type: none"> • Operating Temperature: 0°C ~ 40°C; • Storage Temperature: -40°C ~ 60°C; • Relative Humidity: 5% ~ 90% (non-condensable)
Dimension (W x D x H)	144 × 144 × 168.3 mm
Weight	1.41 kg

INTERFACE DIAGRAM



For technical or sales support, please visit:

www.starviewint.asia

Performance specifications are typical. Due to constant research, specifications are subject to change without notice. For the most up-to-date specifications, please contact an authorized Starview representative.

For assistance with confirming the Jurisdiction & Classification of Starview Asia products, please contact info@starviewint.asia

Copyright © 2025 STARVIEW ASIA. All rights reserved.
Australia Headquarters: Level 40, 140 Williams Street, Melbourne VIC 3000, Australia

FULL HD VIDEO CONFERENCING PTZ CAMERA

SA-UVB30

Designed for enterprise video conferences, personal office use, and teaching recordings, these cameras feature high-quality HD CMOS image sensors. With a 60fps frame rate at 1080p and a wide-angle, long optical zoom lens, they vividly capture the entire meeting scene.



1080P
Full HD



12x Optical
Zoom



Built-in
Microphone



USB 3.0



Remote
Control

FEATURES

• 1080P Full HD

Utilizing a 1/2.8-inch, 2.07 million pixels HD CMOS sensor, a maximum resolution of 1920 x 1080 for superior image quality, and frame rate of 60fps at 1080p.

• 72.5° Wide-angle Lens + 12x Optical Zoom

Features a 72.5° wide-angle lens, supporting both 12x optical zoom and 16x digital zoom, ensuring clear capture at various distances.

• Built-in Microphone (Optional)

Supports an optional built-in microphone with a pickup distance of 6 meters, providing low noise and high-quality audio for meeting and live broadcasting needs.

• Multiple Control Options

Supports control through RS232 (optional RS485) serial ports, network, and USB interfaces.

• Full-Function USB Interface

Full-featured USB3.0 interface, support audio and video output, support encoding output, support UVC v1.1 protocol.

• H.264 Slice / H.264 SVC Encoding Support

Output H.264 streaming supports Slice and SVC encoding modes, suitable for high-end USB conference video applications.

• Multiple Interfaces

Supports simultaneous output of two 1080p video streams through HDMI and USB3.0, allowing connection to various peripherals.

• Low Light Enhancement

The camera ensures clear images in low-light situations by using a CMOS image sensor of 55dB SNR and a 2D & 3D noise reduction to reduce image noise in low-light conditions.

Technical specifications**SA-UVB30****Camera Specifications**

Signal System	1080@60fps, 1080@50fps, 1080@30fps, 1080@25fps, 720@60fps, 720@50fps
Sensor	1/2.8 inches, CMOS, Effective Pixels: 2.07 Megapixels
Lens	12x, f3.5mm ~ 42.3mm, F1.8 ~ F2.8
FOV	Horizontal: 72.5° ~ 6.9°; Vertical: 44.8° ~ 3.9°
Scanning Mode	Progressive
Digital Zoom	16x
Minimum Illumination	0.5Lux @ (F1.8, AGC ON)
Shutter	1/30s ~ 1/10000s
White Balance	Auto, Indoor, Outdoor, One Push, Manual, VAR
Backlight Compensation	Support
Digital Noise Reduction	2D & 3D Digital Noise Reduction
SNR	≥ 55dB
Pan Angle	± 170°
Tilt Angle	±30°
Pan Speed	1.61°/s ~ 75.56°/s
Tilt Speed	0.44°/s ~ 15°/s
Image Flip	Support
Image Freeze	Support
Preset Position	255
Preset Accuracy	0.1°
Microphone	Optional
Pick-up Distance	6m

USB Specifications

Operating System Supported	Windows 7, Windows 8, Windows 10, Mac OS X, Linux, Android
Color System/ Compression	YUY2 / H.264 / MJPEG
USB Video	Support
USB Video Communication Protocol	UVC 1.1
UVC PTZ Contro	Support
Video Format	YUY2: Max. 1080@60fps; H.264 AVC: Max. 1080@60fps; MJPEG: Max. 1080@60fps.

Interfaces

USB Interface	1x USB3.0
Control Interface	1x RS232 IN: 8pin Mini DIN, Max Distance: 30m; Protocol: VISCA / Pelco-D / Pelco-P 1x RS232 OUT: 8pin Mini DIN, Max Distance: 30m, Protocol: VISCA only
Network Interface	1x RJ45: 10M / 100M adaptive Ethernet

For technical or sales support, please visit:

www.starviewint.asia

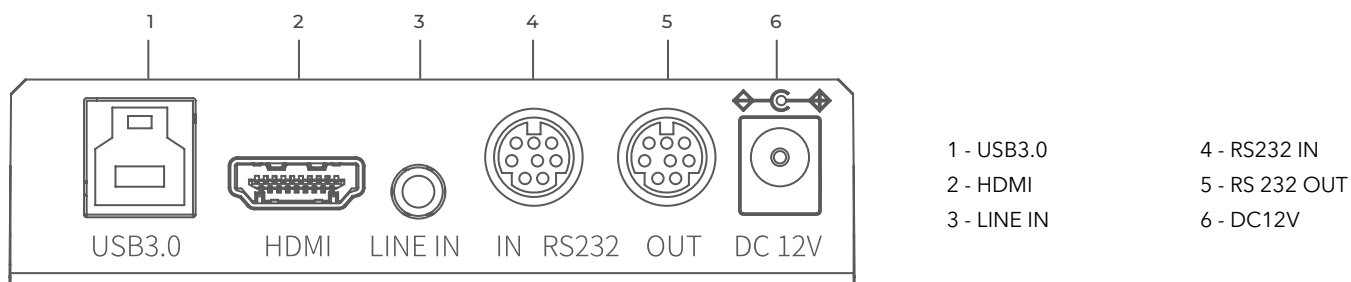
Performance specifications are typical. Due to constant research, specifications are subject to change without notice. For the most up-to-date specifications, please contact an authorized Starview representative.

For assistance with confirming the Jurisdiction & Classification of Starview Asia products, please contact info@starviewint.asia

Copyright © 2025 STARVIEW ASIA. All rights reserved.
Australia Headquarters: Level 40, 140 Williams Street, Melbourne VIC 3000, Australia

Audio Interface	1x LINE IN: 3.5mm Jack
Power Interface	JEITA type (DC IN 12V)
HD Output	1x HDMI 1.4b
General Specifications	
Power Supply	DC 12V
Power Consumption	12W
No Failure Time	>30000 hours
Environmental Requirement	<ul style="list-style-type: none"> • Operating Temperature: 0°C ~ 40°C; • Storage Temperature: -40°C ~ 60°C; • Relative Humidity: 5% ~ 90% (non-condensable)
Dimension (W x D x H)	99 x 128 x 154 mm
Weight	0.9 kg

INTERFACE DIAGRAM



For technical or sales support, please visit:

www.starviewint.asia

Performance specifications are typical. Due to constant research, specifications are subject to change without notice. For the most up-to-date specifications, please contact an authorized Starview representative.

For assistance with confirming the Jurisdiction & Classification of Starview Asia products, please contact info@starviewint.asia

Copyright © 2025 STARVIEW ASIA. All rights reserved.
Australia Headquarters: Level 40, 140 Williams Street, Melbourne VIC 3000, Australia

4K PROFESSIONAL SUPER TELEPHOTO PTZ CAMERA

SA-VX830

Designed for corporate meetings, academic presentations, educational recordings, professional broadcasting, and other applications, this camera features 4K@60fps with a 30x optical zoom. The camera comes with AI humanoid tracking for stable target tracking.



FEATURES

• 4K Ultra HD Image Quality

Utilizing a new generation 1/1.8-inch, 8.42 million pixels high-quality UHD CMOS sensor, it achieves output of 4K60FPS. The camera is backward compatible with various resolutions, such as 1080P and 720P.

• 30x Optical Zoom

The high-quality, ultra-high-resolution telephoto lens has a horizontal field of view of 59 ° and supports up to 30x optical zoom for clear recording at both near and far distances.

• Humanoid Tracking

Equipped with in-house-developed ReID technology, the device identifies the speaker's figure, appearance, and outfit. As the speaker moves within the room, the camera automatically tracks them, ensuring the target remains centered. Even if there are interferences or the speaker exits the frame, the camera swiftly recaptures and tracks them upon reentry.

• Virtual Studio

Compatible with the free-d protocol, it sends precise camera tracking information (pan/tilt/zoom/focus/aperture) to 3D production software, seamlessly blending real-life footage with 3D virtual backgrounds and characters to create a realistic virtual studio, offering a more immersive and interactive visual experience.

• Low-Light Enhancement

A brand-new CMOS image sensor with SNR of 55dB, effectively reduces image noise in low-light conditions. The 3D noise reduction significantly lowers image noise, ensuring clear images in low-light situations.

• Built-in Gravity¹

Support for automatic image flip, the camera can be installed, hanging, to meet the needs of more practical engineering projects.

• Support Dante AV-H

Transmit high-quality audio and video in real-time via Ethernet, compatible with Dante products. Control and manage with Dante Controller, using network time protocol for flexible and low-latency routing.

• Supports NDI®|HX2¹

Supports the network video transmission technology NDI®|HX2, featuring plug-and-play, low latency, and easy deployment. It supports simultaneous transmission of audio, video, and control signals.

• Remote Control

Multiple control options, including RS232, RS485, network, and USB, for controlling the camera.

• Multiple Interfaces

In addition to the HDMI 2.0 interface, it comes with a 3G-SDI interface with an effective transmission distance of 150 meters (1080p30). HDMI, 3G-SDI, USB, and LAN can simultaneously output three HD digital signals².

Note:

1. This feature is optional.

2. For simultaneous output of four HD digital signals, please contact the manufacturer for specific version support.

For technical or sales support, please visit:
www.starviewint.asia

For assistance with confirming the Jurisdiction & Classification of Starview Asia products, please contact info@starviewint.asia

Copyright © 2025 STARVIEW ASIA. All rights reserved.
Australia Headquarters: Level 40, 140 Williams Street, Melbourne VIC 3000, Australia

Technical specifications**SA-VX830****Camera Specifications**

Signal System	HDMI: 4KP60, 4KP59.94, 4KP50, 4KP30, 4KP25, 4KP29.97, 1080P60, 1080P50, 1080I60, 1080I50, 1080P30, 1080P59.94, 1080I59.94, 1080P29.97, 720P60, 720P59.94; 3G-SDI: 1080P/60, 1080P/50, 1080P/30, 1080P/29.97, 1080P/59.94, 1080P/25; 1080I/60, 1080I/50, 1080I/59.94; 720P/60, 720P/59.94;
Sensor	1/1.8 inches, CMOS, Effective Pixels: 8.42 Megapixels
Scanning Mode	Progressive
Lens	30x, f=7.1mm ~ 210mm, F1.61 ~ F5.19
Digital Zoom	16x
Minimum Illumination	0.5Lux @ (F1.8, AGC ON)
Shutter	1/30s ~ 1/10000s
White Balance	Auto, Indoor, Outdoor, One Push, Manual, VAR
Backlight Compensation	Support
Digital Noise Reduction	3D Digital Noise Reduction
SNR	≥ 55dB
Horizontal FOV	59.2° ~ 2.5°
Vertical FOV	34.6° ~ 1.4°
Pan Angle	±170°
Tilt Angle	-30° ~ +90°
Pan Speed	1.7° ~ 100° /s
Tilt Speed	1.7° ~ 69.9° /s
Image Flip	Support
Image Freeze	Support
PoE+	Support
Preset Position	255
Preset Accuracy	0.1°

I/O

HD Output	1 x HDMI: Version 2.0; 1 x 3G-SDI: BNC , 800mVp-p, 75Ω, as per SMPTE 424M standard
Network Interface	1 x RJ45: 10M/100M/1000M adaptive Ethernet
Audio Interface	1 x LINE IN: 3.5mm Jack; 1 x LINE OUT: 3.5mm Jack
USB Interface	1 x USB2.0, Type-A; 1 x USB3.0, Type-B1
Control Interface	1 x RS485: 2pin phoenix port, Max Distance: 1200m, Protocol: VISCA / Pelco-D / Pelco-P; 1 x RS232 IN: 8pin Mini DIN, Max Distance: 30m, Protocol: VISCA / Pelco-D / Pelco-P; 1 x RS232 OUT: 8pin Mini DIN, Max Distance: 30m, Protocol: VISCA only
RESTORE Button	Support
Power Interface	JEITA type (DC IN 12V)

For technical or sales support, please visit:

www.starviewint.asia

Performance specifications are typical. Due to constant research, specifications are subject to change without notice. For the most up-to-date specifications, please contact an authorized Starview representative.

For assistance with confirming the Jurisdiction & Classification of Starview Asia products, please contact info@starviewint.asia

Copyright © 2025 STARVIEW ASIA. All rights reserved.
Australia Headquarters: Level 40, 140 Williams Street, Melbourne VIC 3000, Australia

Technical specifications

SA-VX830

Network Specifications

Video Compression	H.265 / H.264 / MJPEG
Video Stream	First Stream, Second Stream
First Stream Resolution	3840x2160, 1920x1080, 1280x720, 1024x576 etc.
Second Stream Resolution	720x480, 320x240 etc.
Video Bit Rate	First Stream: 32kbps~51200kbps Second Stream: 32kbps~20480kbps
Bit Rate Control	VBR, CBR
Frame Rate	50Hz: 1fps~50fps, 60Hz: 1fps~60fps
Audio Compression	AAC, G711A
Audio Bit Rate	96Kbps, 128Kbps
Protocols	Dante AV-H, NDI® HX2, SRT, TCP/IP, HTTP, RTSP, RTMP(s), Onvif, DHCP, GB/T 28181, Multicast, Free-D, etc.

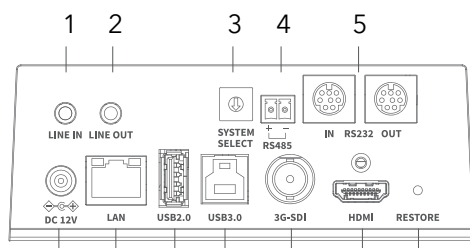
USB Specifications

Operating System Supported	Windows 7 (only supports UVC1.1 features), Windows 8 and above version, Mac OS X, Linux 2.4.6 and above version, Android needs to include the version of UVC-related drivers
Color System / Compression	YUY2 / H.264 / MJPEG / H.265
Video Format	YUY2: Max.1080P5(USB2.0); YUY2: Max.1080P30(USB3.0)1; H.264 AVC: Max.2160P30; H.265 HEVC: Max.2160P30; MJPEG: Max.2160P30
USB Audio	Support
USB Video Communication Protocol	UVC 1.1~1.5
UVC PTZ Control	Support

Generic Specifications

Input Voltage	DC 12V /PoE+(802.3at)
Input Current	2A(Max.)
Operating Temperature	0° C ~ 40° C
Storage Temperature	-40° C ~ 60° C
Power Consumption	18W(Max.)
Dimension (W x D x H)	170 x 196 x 228mm
Net Weight	2.0kg

INTERFACE DIAGRAM



- | | |
|-------------------|-------------------------|
| 1 — LINE IN | 7 — LAN |
| 2 — LINE OUT | 8 — USB2.0 |
| 3 — SYSTEM SELECT | 9 — USB3.0 ¹ |
| 4 — RS485 | 10 — 3G-SDI |
| 5 — RS232 IN/OUT | 11 — HDMI |
| 6 — DC 12V | 12 — RESTORE |

For technical or sales support, please visit:
www.starviewint.asia

Performance specifications are typical. Due to constant research, specifications are subject to change without notice. For the most up-to-date specifications, please contact an authorized Starview representative.

For assistance with confirming the Jurisdiction & Classification of Starview Asia products, please contact info@starviewint.asia

Copyright © 2025 STARVIEW ASIA. All rights reserved.
Australia Headquarters: Level 40, 140 Williams Street, Melbourne VIC 3000, Australia

4K BUSINESS WEBCAM

SA-WC10

Designed for small to medium-sized meeting rooms, the camera offers a choice of 84° (auto-focus) or 120° (fixed focus) lenses based on requirements. It features a 1/2.5-inch 4K CMOS sensor, delivering a 3840 x 2160 resolution. With the included damping rotary bracket, it adapts to mainstream displays.



FEATURES

• 4K UHD

Utilizing a 1/2.5-inch 4K CMOS sensor with 8.29 million pixels, the webcam supports a 4K@30fps image encoding output while being backward compatible with resolutions such as 1080p and 720p.

• Wide FoV

Choose between 84° and 120° lenses, supporting auto-focus (84° lens only) and EPTZ for a clearer and wider perspective.

• Auto Framing by AI Technology

Built-in video AI algorithm recognizes the positions of participants, automatically adjusting the lens angle to achieve the best-framed shot.

• Built-in Microphone

The camera comes with two sets of digital microphones equipped with a noise suppression algorithm, ensuring a clear audio pickup of 6 meters.

• Simplified Installation

The camera includes a damping rotary bracket, compatible with most displays, ensuring a simple and stable installation.

• USB3.0

Full-function USB3.0 interface, integrating power supply, video, and audio, supports output of first video stream USB video signal + audio source, with optional support for first video stream HDMI output.

Camera Specifications

Signal System	4K@30fps, 4K@25fps, 1080@30fps,1080@25fps, 720@30fps, 720@25fps, 960x540@30fps, 960x540@25fps,640x360@30fps, 640x360@25fps, etc.
Sensor	1/2.5 inches, CMOS, Effective Pixels: 8.29 Megapixels
Type of Lens Mount	M12
Lens I	f = 3.5mm; Horizontal FOV: 84°
Lens II	f = 2.8mm; Horizontal FOV: 120°
Auto Focus	Support (only 84° Support)
Scanning Mode	Progressive
Digital Zoom	8x
Minimum Illumination	0.5 Lux @ (F1.8, AGC ON)
Shutter	1/30s ~ 1/10000s
White Balance	Auto, Indoor, Outdoor, One Push, Manual
Backlight Compensation	Support
Digital Noise Reduction	2D & 3D Digital Noise Reduction
Bracket	Support

USB Specifications

Operating System Supported	Windows 7 (only supports UVC 1.1 features), Windows 8 and above version, MacOS 10.5 and above version, Linux 2.4.6 and above version,Android needs to include the version of UVC related drivers
Color System/ Compression	YUY2 / H.264 / MJPEG
USB Video Communication Protocol	UVC 1.1
UVC PTZ Control	Support (EPTZ)

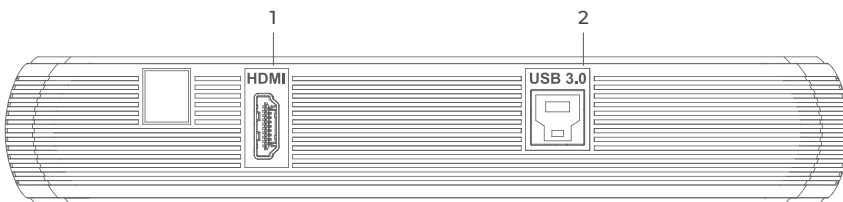
Interfaces

USB Interface	1x USB3.0, type B
HDMI Interface	1x HDMI 1.4b

General Specifications

Power Supply	5V (USB Power Supply)
Power Consumption	3W
Environmental Requirement	<ul style="list-style-type: none"> • Operating Temperature: -10°C ~ 40°C; • Storage Temperature: -40°C ~ 60°C; • Relative Humidity: 5% ~ 90% (non-condensable)
Dimension (W x D x H)	194 × 42 × 34 mm
Weight	0.5 kg

INTERFACE DIAGRAM



- 1 - HDMI (Optional)
- 2 - USB3.0

For technical or sales support, please visit:
www.starviewint.asia

Performance specifications are typical. Due to constant research, specifications are subject to change without notice. For the most up-to-date specifications, please contact an authorized Starview representative.

For assistance with confirming the Jurisdiction & Classification of Starview Asia products, please contact info@starviewint.asia

Copyright © 2025 STARVIEW ASIA. All rights reserved.
 Australia Headquarters: Level 40, 140 Williams Street, Melbourne VIC 3000, Australia

360° SMART PANORAMIC

SA-PU80

The SA-PU80 is designed specifically for small to medium conference room settings, featuring a 360° video capture system composed of four ultra-wide-angle lenses tailored for meeting scenarios, providing a complete panoramic view of the venue. It integrates an omnidirectional microphone and a full-range speaker system for a simplified and convenient conferencing process. Equipped with multiple AI audio-visual algorithms, it enables remote participants to feel as if they are present in the meeting, creating a comprehensive and immersive visual experience.



360° Panoramic View



AI-assisted shooting



PoE Cascading



Separable Speakers



All-in-one

FEATURES

• Integrated Design

The device boasts a unified architecture that integrates a 360° panoramic camera with four lenses, an array microphone with beamforming technology, and a full-range speaker (for the standalone model). Both audio-video transmission and power can be managed via a PoE (Power over Ethernet) cable for streamlined installation, delivering a professional and smart remote collaboration experience.

• Seamless 360° Panoramic View

The camera features four ultra-wide-angle lenses, creating a 360° surround video capture system. Utilizing advanced AI stitching technology, it flawlessly merges multiple images to produce a 360° panoramic view, providing a complete visual representation of the meeting space.

• 4K UHD Image Quality

The system is equipped with four sets of cameras, each featuring a 1/2.8 inch high-quality UHD CMOS sensor with 8.29 million pixels. It supports 4K (3840x2160)@30fps ultra-high-definition video capture. Utilizing video stitching algorithms, it can achieve a 16K*2K panoramic video display, ensuring clear and delicate imagery in every frame for a visually stunning experience.

• Group Framing

Equipped with facial, human shape recognition, and intelligent framing algorithms, it can identify the number of participants and their positional changes, automatically moving the lens and adjusting the focus to achieve intelligent composition and optimal framing.

• Speaker Tracking

The built-in sound source localization algorithm automatically directs the camera towards the speaker when someone is talking, presenting a close-up in the center of the screen, delivering a "face-to-face" communication experience.

• Smart Gallery

Featuring AI algorithms for heads, faces, and human shapes, it can automatically switch to multi-split screen layouts based on the number of participants, extracting and evenly arranging close-ups of each participant. This allows remote attendees to clearly see everyone, making the communication in meetings more vivid and natural.

• PoE Cascading Audio Pickup

Equipped with a built-in array of 7 beamforming microphones, this system can guide the microphone directly to the speaker, ensuring clear and precise audio capture with an effective pickup distance of up to 2 meters. Supports PoE (Power over Ethernet) for cascading two units together, providing more comprehensive coverage, a wider pickup range, and more balanced audio quality.

• Lift Privacy Cover

Equipped with a built-in electric lift for privacy protection, the cover can be easily operated with a single button. When the camera is not in use, closing the privacy cover ensures that no images are captured, protecting personal or corporate sensitive areas.

Technical specifications

SA-PU80

Camera Specifications

Sensor	Four 1/2.8 inch CMOS Sensors, Effective Pixels Per Lens: 8.29 Million
Signal System	4KP30, 1080P30, 720P30 etc.
Optical Lenses	Four sets of 135° (HFOV) fixed-focus lenses
Digital Noise Reduction	2D&3D Digital Noise Reduction
SNR	≥ 55dB
Backlight Compensation	Support

Audio Specifications

Microphone Array	A 7-unit beamforming digital microphone array, 2m pickup distance
Extended Microphone	Supports the expansion of digital array microphones through a PoE

USB Specifications

Connection Type	USB 3.0, backward compatible with USB 2.0
Color System / Compression	MJPEG / YUY2
USB Video	Supports a sampling rate of 32K
USB Video Communication Protocol	Support UAC1.0 UVC 1.1
UVC PTZ Control	Support

I/O

USB 3.0	1 × USB 3.0, type-C, Support audio/video transmission and firmware upgrade
Network Interface	1 × RJ45, Supports connection of extension microphones or cascading with RC360 Pro, support PSE power 1 × RJ45, 10/100/1000M adaptive Ethernet port, support for network transmission of audio and video, support for POE power supply
Power Interface	DC 12V

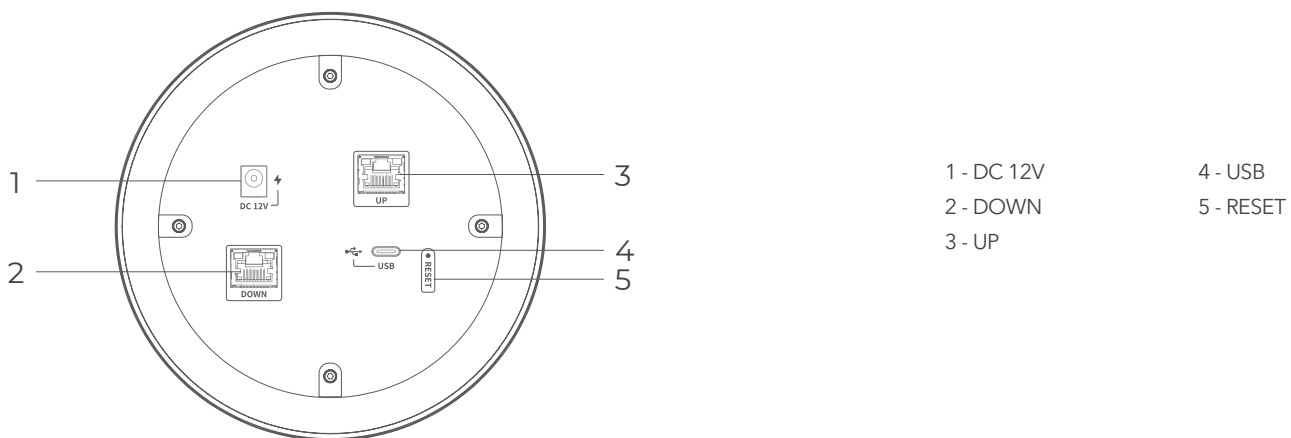
Others

Installation Method	Supports placement on a desk
Supplied Cable	USB Cable
Safety Protection	Anti-theft lock socket

General Specifications

Power	DC 12V, 2A(Max.)
Operating Temperature	0°C ~ 40°C
Storage Temperature	-40°C ~ 60°C
Dimension	Body dimensions: 281.5mm (H) x 83.8mm (φ); Base dimensions: 33.5mm (H) x 180mm (φ)
Net Weight	1.5Kg

INTERFACE DIAGRAM



For technical or sales support, please visit:

www.starviewint.asia

Performance specifications are typical. Due to constant research, specifications are subject to change without notice. For the most up-to-date specifications, please contact an authorized Starview representative.

For assistance with confirming the Jurisdiction & Classification of Starview Asia products, please contact info@starviewint.asia

Copyright © 2025 STARVIEW ASIA. All rights reserved.
Australia Headquarters: Level 40, 140 Williams Street, Melbourne VIC 3000, Australia

CEILING CONTACTLESS VOICE AMPLIFIER MICROPHONE

SA-M80C

Designed specifically for the amplification needs of regular classrooms, it includes an invisible amplification microphone and a set of digital powered speakers, which makes installation and deployment simple. The microphone incorporates audio processing algorithms, eliminating the need for additional audio processing equipment, to deliver clear and natural sound quality that is evenly distributed throughout the classroom. Teachers do not need to carry or adjust any sound pickup devices, allowing them to focus on teaching. Students can easily hear the lecture clearly from any position in the classroom, facilitating learning.



FEATURES

• Contactless Use, Free Your Hands

No need to hold or wear sound pickup equipment, and no need to charge and maintain. Equipped with an infrared remote control, oneclick controls the switch and adjusts the volume, freeing your hands and using it more contactless.

• Long-Distance Sound Pickup, Free Movement

The microphone has seven built-in digital microphone arrays, which can achieve effective sound pickup in an 8-meter radius towards its directional area (3 meters or optimal sound pickup), automatically shielding noise interference outside the area.

• Clear Sound Pickup And Comfortable Listening Experience

Built-in audio processor, equipped with environment adaptive algorithm, howling suppression, automatic gain algorithm, etc. Automatically eliminate noise and dereverberation, 18ms ultra-low latency, and more comfortable listening.

• Voice Fence Algorithm, Isolate Noise Interference

Developed a noise barrier system to isolate interference. Microphones are capable of forming virtual walls at pre-set boundaries of the designated sound pick-up area, capturing sounds within the wall while blocking out external interference. The suppression of external interference exceeds 30dB, with an effective working distance of 2m (optimal performance typically within 1m).

• Healthy Sound Amplification, Better Than The National Standard

Paired with digital active speakers, the amplification volume is 6dB higher than the national amplification standard (increased by 8dB). Complying with the national healthy acoustic environment standards, it can provide clear and balanced sound amplification anywhere in the classroom.

• Simple Deployment And Easy Maintenance

The microphone wiring is simple, powered by a USB cable, used by connecting the 3.5 mm audio cable to the speaker. No complex wiring installation, and no debugging is needed, which saves labor costs.

OMNIDIRECTIONAL MICROPHONE

SA-M10

Omidirectional USB microphone, plug and play, cost-effective solution for conferencing.



USB



360° Pickup



3m
Pickup Distance

FEATURES

- **Compact for Excellent Portability**

Compact and exquisite USB omnidirectional microphone for good fit in your pockets and excellent portability.

- **Easy to Connect Via PnP**

PnP USB is connected to PC, tablet or video conferencing terminal, and is compatible with various systems and software, thus suitable for applications such as video calls.

- **HD Calls and Clear Sound**

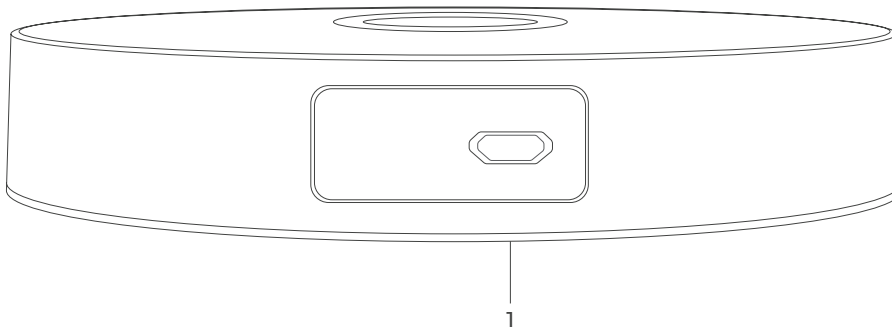
Smart noise reduction, rich sound, clear call, antiinterference, and high fidelity - teleconferencing and video conferencing are always ready.

- **Wonderful Pickup Tool for Comfortable Communication**

360° pickup; 3m pickup range; comes with a 5m USB cable (10m optional); no longer confined by the range of conferencing equipment during speech, you can stand and stretch freely during long sessions.

Technical specifications**SA-M10**

Microphone	
Pickup Distance	3m
Frequency Response	100 ~ 10kHz
Directivity	Omnidirectional
Sensitivity	-40.5 dB (V/Pa)
SNR	64 dB
Total Harmonic Distortion	10% (1kHz, 120 dB SPL)
Compatibility	Compatible with mainstream operating systems, e.g., Windows XP / Windows Vista / Windows 7/8/10 / Linux / Android
I/O	
USB Interface	1x USB Data Communication
Key	1x Lighted Mute Button
Cable Length	5m (10 m Optional)
General Specifications	
Power Supply	USB: 5V DC; Max. Current: 10mA
Dimension	Φ 100 mm× H 20 mm
Environmental Requirement	<ul style="list-style-type: none"> • Operating Temperature: 0°C ~ 40°C; • Storage Temperature: -20°C ~ 70°C; • Relative Humidity: 5% ~ 95% (non-condensable)
Weight	0.15 kg

INTERFACE DIAGRAM

1 - USB

For technical or sales support, please visit:

www.starviewint.asia

Performance specifications are typical. Due to constant research, specifications are subject to change without notice. For the most up-to-date specifications, please contact an authorized Starview representative.

For assistance with confirming the Jurisdiction & Classification of Starview Asia products, please contact info@starviewint.asia

Copyright © 2025 STARVIEW ASIA. All rights reserved.
Australia Headquarters: Level 40, 140 Williams Street, Melbourne VIC 3000, Australia

CONFERENCING SPEAKERPHONE

SA-M20

Omidirectional USB speakerphone, equipped beam forming microphone, built-in advanced algorithms, support AI noise reduction sound mix and etc., cost-effective solution for medium-size conference room.



FEATURES

• Digital Microphone Array

Equipped with three omnidirectional microphone arrays, beam forming, clear sound pickup at long distance.

• Audio Algorithm

Built-in multiple audio algorithms, suppress indoor acoustic reverberation, reduce ambient noise, remove echo and howling, double talk without suppression, provide a comfortable listening experience.

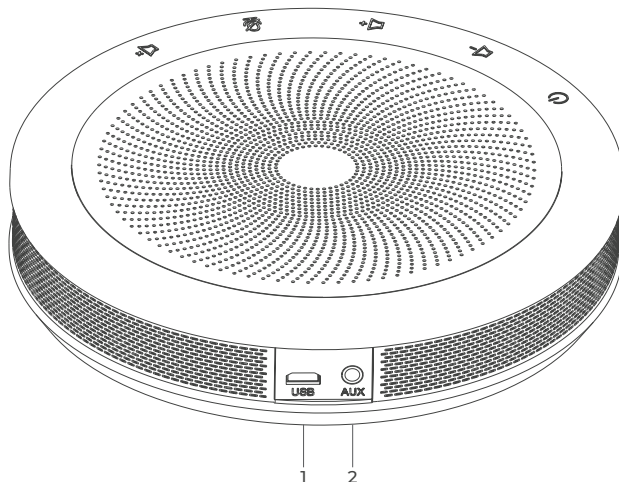
- Pickup Weapon, Comfortable Communication
Adaptive sound field environment, automatic spokesman, voice enhancement, better anti-interference ability.
- Plug and Play
Standard USB2.0 type-c and 3.5mm headphone audio interface, plug and play, no need for professional tuning, to meet the dual-mode application of digital and analog audio.

Technical specifications

SA-M20

Microphone	
Pickup Distance	6m
Frequency Response	50 ~ 16 kHz
Directivity	Omnidirectional
Sampling Rate	32K sampling, HD wideband audio
Microphone	Built-in three omnidirectional microphone arrays, 360-degree omnidirectional pickup
Speaker	
Speaker	Full frequency speaker
Power	Max. 3W, effective power consumption 2.2W
Frequency Response	20 ~ 20 kHz
Volume	85 dBA
Audio	
Noise Suppression	Support
Gain Control	Support
Echo Delay	300 ms
Connection Method	
Interface	1x USB TYPE-C (Support UAC); 1x 3.5 mm Audio interface
Key	5x sense keys
General Specifications	
Power Supply	USB: 5V DC, Max. current: 450 mA
Operating System Supported	Windows XP / Vista / 7 / 8 / 10
Dimension	Φ 75 mm × H 30 mm
Environmental Requirement	<ul style="list-style-type: none"> • Operating Temperature: 0°C ~ 40°C; • Storage Temperature: -30°C ~ 55°C; • Relative Humidity: 20% ~ 85% (non-condensable)
Weight	0.48 kg

INTERFACE DIAGRAM



1 - USB
2 - AUX

For technical or sales support, please visit:
www.starviewint.asia

Performance specifications are typical. Due to constant research, specifications are subject to change without notice. For the most up-to-date specifications, please contact an authorized Starview representative.

For assistance with confirming the Jurisdiction & Classification of Starview Asia products, please contact info@starviewint.asia

Copyright © 2025 STARVIEW ASIA. All rights reserved.
Australia Headquarters: Level 40, 140 Williams Street, Melbourne VIC 3000, Australia

SMART CONFERENCING SPEAKERPHONE

SA-MF

The SA-MF is designed specifically for corporate meetings. It features advanced AI audio algorithms that eradicate echo, background noise, and voice reverberation, ensuring clear sound for seamless voice calls. It supports USB wired and wireless connections, plug-and-play. The main microphone can also pair with two extra extension microphones to cover the entire room.



FEATURES

• Plug And Play + High Compatibility

Connects directly to the conference host via a USB 2.0 data cable, no drivers needed, plug and play.

• Long Range Omnidirectional Pickup

The main microphone features four high SNR digital microphone arrays for 360-degree omnidirectional sound pickup. Its pickup range is 3 meters and can be expanded with two extension microphones, extending it to 10m.

• AI-Assisted Audio Algorithm

The microphone uses AI technology for noise reduction, echo cancellation, and reverberation suppression, ensuring clear sound quality during remote meetings and mimicking face-to-face conversations.

• Consistent Volume

With an automatic gain control algorithm, the speakerphone adjusts volume levels based on the speaker's voice, ensuring stable and consistent pickup without volume fluctuations that could impact communication efficiency.

• Ultra-High Fidelity

Featuring high and low-frequency speakers and a resonance chamber design, it delivers deep bass, rich midrange, and clear treble, reproducing lifelike human voices.

• Leading Domestic Technology

Hardware localization rate exceeds 98%, with audio algorithms achieving top-three rankings globally in prestigious competitions like Interspeech, IEEE L3DAS21, and ICASSP2022 AEC Challenge.

• One-Touch Conference Control

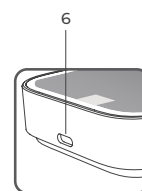
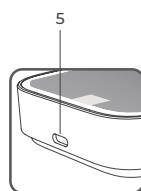
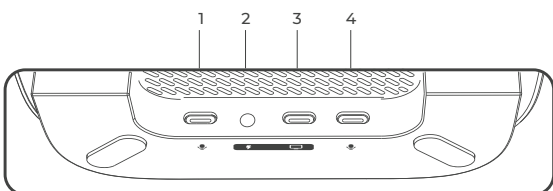
Supports conference operations directly on the microphone, such as call answer/end, volume+/-, mute, etc., making conference control more convenient.

• Business Styling

Made with an aluminum alloy casing for a high-quality look and feel. Includes wire management grooves and non-slip foot pads at the bottom for stable installation, perfect for different business meeting settings.

Technical specifications**SA-MF**

Conference Capability	
Coverage Area for Sound Pickup	20 - 100 m ²
Number of Participants	6 - 20 People
Microphone	
Microphone Type	High Signal-to-Noise Ratio Digital Silicon Microphone
Microphone Array	Built-in 6 (4+2) MEMS Microphones
Pickup Range	360° Omnidirectional Pickup
Pickup Distance	3m optimum pickup range, 10m effective pickup range
Sampling Rate	32 KHz HD Wideband Audio
Frequency Response	50 Hz ~ 16 kHz
Signal-to-noise Ratio	68 dB(A)
Sensitivity	94 dB SPL @ 1 kHz , -35 dBFS
Speaker	
Speaker Type	Dual-frequency division design, professional academic sound chamber structure, top-tier sound tuning
Rated Output Power	15 W
Effective Frequency Range	50 Hz ~ 20 kHz
Volume	89 dBA @ 1m
THD	< 3%
Sound Quality	
Noise Suppression	Supports AI noise reduction, dereverberation, AI automatic gain control, echo suppression algorithms, and full duplex processing capabilities
I/O	
USB Interface	USB 2.0 Type-C / Type-A: (1x computer interface, used for connecting PC and other devices for audio input/output); UAC 1.0 (2x extension microphone interfaces, used for connecting extension microphones)
Indicators	Circular indicator light strip, various color combinations, easy to identify the current status of the microphone
Buttons	Touch-sensitive buttons (volume+, volume-, mute, hang up, dial)
General Specifications	
Power Supply	AC 100V ~ 240V @ 50Hz / 60Hz; DC 12V
Supported Systems	Windows / Mac / Android / Linux
Bare Machine Dimensions (L x W x H)	Master microphone: 150 × 150 × 85 mm; Expand microphone: 80 × 80 × 25 mm Wireless Adapter: 93 × 28 × 13 mm
Bare Machine Weight	Master microphone: 1.24 kg; Expand microphone: 0.13 kg × 2; Wireless Adapter: 0.038 kg
Total Weight	2.35 kg
Environmental Requirement	<ul style="list-style-type: none"> • Temperature: 0°C ~ 40°C (Operating), -40°C ~ 60°C (Non-operating) • Relative Humidity: 45% ~ 90% (Operating), 30% ~ 90% (Non-operating)

INTERFACE DIAGRAM

- 1 - Extended Microphone
- 2 - Power Supply
- 3 - USB
- 4 - Extended Microphone
- 5 - Extended Microphone
- 6 - Extended Microphone

For technical or sales support, please visit:
www.starviewint.asia

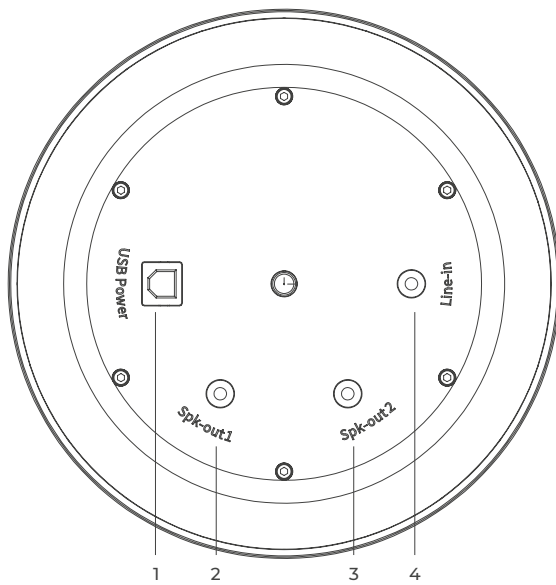
Performance specifications are typical. Due to constant research, specifications are subject to change without notice. For the most up-to-date specifications, please contact an authorized Starview representative.

For assistance with confirming the Jurisdiction & Classification of Starview Asia products, please contact info@starviewint.asia

Copyright © 2025 STARVIEW ASIA. All rights reserved.
Australia Headquarters: Level 40, 140 Williams Street, Melbourne VIC 3000, Australia

Technical specifications**SA-M80C**

Microphone	
Microphone Type	Build In Two Digital Microphone Arrays
Sensitivity	-38 dBFS
SNR	65 dB(A)
Audio Features	
Frequency Response	100Hz - 8kHz
Sampling Rate	16K samples , High definition wideband audio
Pickup Distance	3m Clear Pickup (Cardioid pickup)
Beam Forming	Adaptive Beam
Automatic Feedback Suppression	Support
Automatic Noise Suppression	Support
Automatic Gain Control	Support
Automatic Reverberation Suppression	Support
Hardware Interface	
Audio Output	2x 3.5mm Spk-Out Linear output
Audio Input	1x 3.5mm Line-In interface
USB	Supports software upgrades and parameter configuration
General Specifications	
Power Supply	USB 5V Power
Dimension	Φ 155.9 mm × H 38.2 mm

INTERFACE DIAGRAM

- 1 - USB POWER
- 2 - SPK-OUT
- 3 - SPK-OUT
- 4 - LINE IN

For technical or sales support, please visit:
www.starviewint.asia

Performance specifications are typical. Due to constant research, specifications are subject to change without notice. For the most up-to-date specifications, please contact an authorized Starview representative.

For assistance with confirming the Jurisdiction & Classification of Starview Asia products, please contact info@starviewint.asia

Copyright © 2025 STARVIEW ASIA. All rights reserved.
 Australia Headquarters: Level 40, 140 Williams Street, Melbourne VIC 3000, Australia

CASCADING OMNIDIRECTIONAL DIGITAL ARRAY MICROPHONE

SA-M702A / SA-M702C

Cascade digital array microphone, up to 3meters voice pickup, minimal configuration,plug and play, support max 6 microphones cascading over PoE, can cover the demand of large conference room.



M702A



M702C



6 Microphone Array



Audio Algorithm



6 level Cascade



PoE



Double Talk

FEATURES

• Digital Array Microphone

High SNR ring microphone array design, clear pickup from long distance. Let the speaker move around more freely in the room and get rid of the constraints.

• Blind Beamforming; Automatic Alignment to Speaker

With blind beamforming technology, precise positioning, adaptive sound field environment can achieve voice enhancement and better anti-interference ability.

• Smart Audio Algorithms; Clear Natural Sound

Built in powerful audio processing unit, ultra-low signal processing delay; Adaptive fast convergence algorithm, advanced technologies such as voice intelligent tracking, intelligent noise reduction, echo cancellation, automatic gain, and de-reverberation, dual talk without suppression, making it easy to listen in noisy environments.

• PoE Cascading; Even Coverage of Conference Room Pickup

By cascading multiple PoE cables, distributed sound pickup and interaction can evenly cover the space of large and medium-sized conference rooms.

• Standard Interface, Plug and Play

Adopting the hot adhesive fabric wrapping process, the product can flexibly change the appearance color and pattern, adapt to various classroom decoration styles, integrate with the environment, and have a soft and natural visual effect, easily achieving seamless application in the classroom.

• Flexible Installation for Lifting/Ceiling/Wall Mounting

Support multiple installation methods such as desktop and lifting, flexible and fast deployment, and reduce operation and maintenance costs.

Technical specifications

SA-M702A / SA-M702C

Audio Parameters

Microphone Type	Digital Array Microphone
Microphone Array	6 omnidirectional microphones form a circular sarray for 360 degree omnidirectional pickup
Pickup Distance	3m
Sensitivity	-38 dBFS
Signal Noise Ratio	65 dB(A)
Frequency Response	50 Hz ~ 16 kHz
Sampling Rate	32K sampling, high-definition broadband audio
Automatic Echo Cancellation (AEC)	Support
Automatic Noise Suppression (ANS)	Support
Automatic Gain Control (AGC)	Support

Hardware I/O

Network Interface	RJ45 up and down cascade network interface
USB Interface	USB audio interface (Type-C), support UAC1.0 protocol, audio data communication, software upgrade and parameter configuration
Analog Audio	AUX1, AUX2 line audio input and output

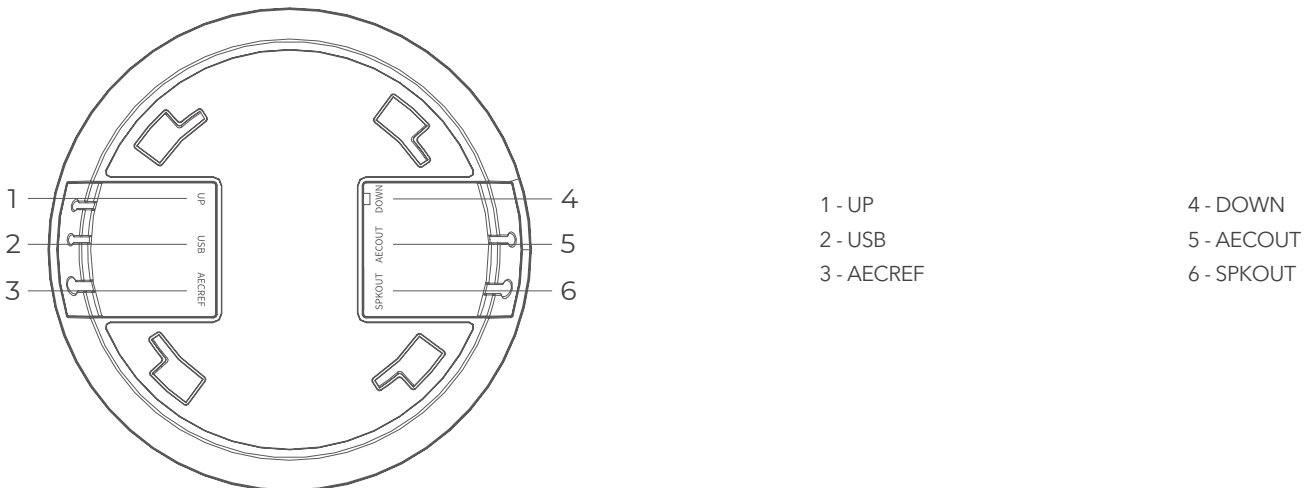
Cascade Function

Cascade Mode	PoE network cable
--------------	-------------------

General Specifications

Power Input	PoE cascade 48V power supply, support IEEE 802.3 at standard / USB 5V 500mA (single)
System	Windows / Mac / Linux
Installation Method	Desktop, lifting, wall mounted, ceiling mounted
Dimension	φ 170 mm × H 40 mm
Net Weight	370 g

INTERFACE DIAGRAM



For technical or sales support, please visit:

www.starviewint.asia

Performance specifications are typical. Due to constant research, specifications are subject to change without notice. For the most up-to-date specifications, please contact an authorized Starview representative.

For assistance with confirming the Jurisdiction & Classification of Starview Asia products, please contact info@starviewint.asia

Copyright © 2025 STARVIEW ASIA. All rights reserved.
Australia Headquarters: Level 40, 140 Williams Street, Melbourne VIC 3000, Australia

ROOMS CONTROLLER

SA-CT100

Android touch panel, designed for conferencing, equipped with 10.1' display, bring an interactive and seamless communication for end users.



10.1-inch
Touch Screen



Android
System



Remote
Control



PoE

FEATURES

• Touch Screen with Android System

10.1-inch capacitive screen with android 9.0, the ZOOM controller and other third-party conference control applications can be installed to control the conference or video conference terminal.

• Full SDK

Full SDK supports customized development for various industry needs.

• Easy Installation

Built-in bracket to adjust angle easily and can be wall mounted.

• Built in IP Phone Client (Optional)

Built in H.323/SIP client software, can be used as an IP phone. You can also install third-party conference software as an audio conference terminal.

• Two Power Supply Modes

Support USB 5V and PoE power supply.

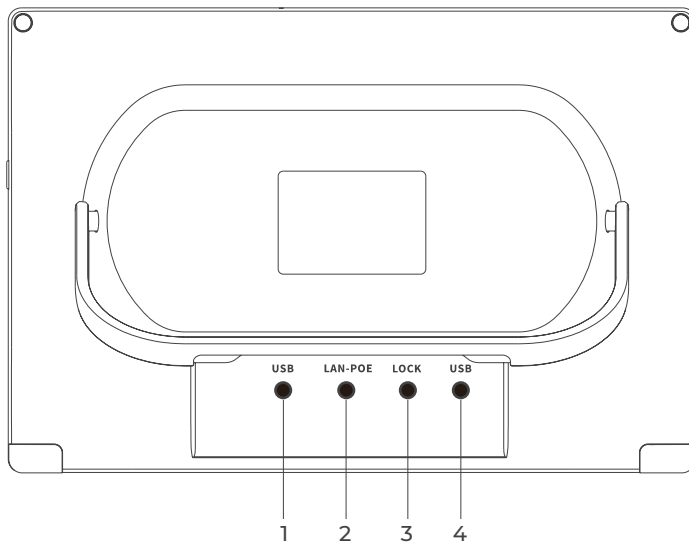
Technical specifications

SA-CT100

Standard	
Operating System	Android 9.0
RAM/ROM	4 GB / 16 GB
Video Codec	Encoder: H.264/H.265; 1x 1080p@60fps Decoder: VP9 Profile-2 up to 4K x 2K@60fps; H.265 HEVC MP-10@L5.1 up to 4K x 2K@60fps AVS2-P2 Profile up to 4K x 2K@60fps; H.264 AVC HP@L5.1 up to 4K x 2K@30fps H.264 MVC up to 1080p@60fps
Touch Screen	<ul style="list-style-type: none">• 10.1-inch IPS touch screen with 10 point touch support<ul style="list-style-type: none">• Resolution: 1920 x 1080 (1280x800 optional)• Visual angle: 170°
Bluetooth	5.0
WIFI Standard	IEEE802.11a/b/g/n/ac,WPA,WPA2
I/O	
USB Interface	1x USB2.0 Type-C
Network Interface	1x RJ45: 10/100 Base-T; 1x WiFi
General Specifications	
Dimensions (W x D x H)	243 × 164 × 33 mm
Microphone	Pickup distance is 2 meters
Speaker	1 x 1.2W
Environmental Requirement	<ul style="list-style-type: none">• Temperature: 0°C ~ 40°C (Operating), -40°C ~ 70°C (Non-operating)• Relative Humidity: 10% ~ 80% (Operating), 0% ~ 95% (Non-operating)
Ambient Noise	< 46dBA SPL
Certification and Standards ¹	RoHS

¹ The listed certifications are issued for markets in different regions. For the current status of the listed certifications in you

INTERFACE DIAGRAM



- 1 - USB Type-C
- 2 - LAN POE
- 3 - LOCK
- 4 - USB Type-A

For technical or sales support, please visit:
www.starviewint.asia

Performance specifications are typical. Due to constant research, specifications are subject to change without notice. For the most up-to-date specifications, please contact an authorized Starview representative.

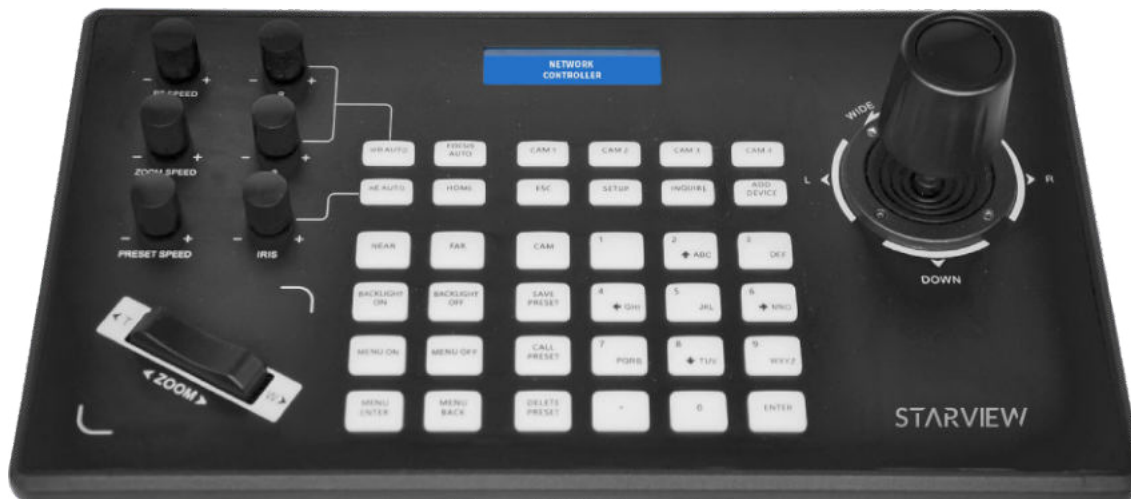
For assistance with confirming the Jurisdiction & Classification of Starview Asia products, please contact info@starviewint.asia

Copyright © 2025 STARVIEW ASIA. All rights reserved.
Australia Headquarters: Level 40, 140 Williams Street, Melbourne VIC 3000, Australia

CAMERA CONTROL KEYBOARD

SA-JSC50

IP controller, support four-axis control and multiple speed level, can control the camera Pan/Tilt/Zoom.



FEATURES

• Support Network Control

Support control through network connection.

• Support Multiple Protocols

Support visca, visca over IP, onvif, PELCO-D, pelco-p, NDI and other protocols.

• Support Control Camera with Software

Support software function control of the camera, with central control function.

• Support Camera Zoom Control

The ship type switch is used to adjust the zoom of the conference camera, which is easy to operate and powerful.

• Built-in LCD Display

Built in LCD display, supporting multi language display.

• Four-dimensional Remote

The imported variable-speed four-dimensional rocker is used for control, which is comfortable and good. Twisting the rocker can directly control the omni-directional rotation of the conference camera, zoom in and zoom out of the lens. According to the strength of the rocker control, the speed can be controlled and the rhythm can be controlled.

• Support IE Browser Configuration

Support control through network connection.

• Quick Image Adjustment

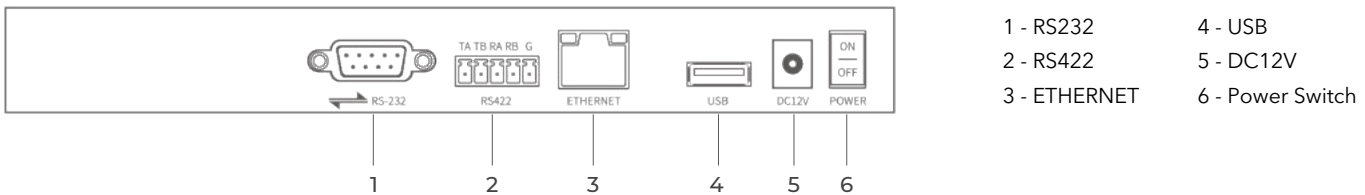
Quick image adjustment function, which can be directly adjusted through special knobs and buttons, including Automatic Exposure, Shutter, Aperture, Gain, White Balance, Focus, etc.

Technical specifications

SA-JSC50

Protocols	
Protocol	Pelco-D, Pelco-P, VISCA, VISCA over IP, Onvif, NDI
Number of Connection	VISCA233: 7 unit / VISCA422: 7 unit ; VISCAIP: 64 unit / ONVIF: 110 unit
Knob/Button Function	Menu switch; Backlight compensation on/off; Auto exposure mode, auto white balance mode, auto focus mode; Manual focus adjustment; Preset set, recall, delete; Aperture value adjustment; Red and blue gain adjustment
Interface	1x RS232, 30m (max.); 1x RS485/RS422, 1200m (max.); 1x RJ45, support PoE power supply; 1x USB (reserved); 1x DC 12V
General Specifications	
Power Supply	DC 12V/PoE (802.3af)
Dimensions (W x D x H)	320 × 180 × 100 mm
Power Consumption	0.6W (Max.)
Weight	1.74 kg
Environmental Requirement	<ul style="list-style-type: none"> • Temperature: 0°C ~ 50°C (Operating), -20°C ~ 70°C (Non-operating) • Relative Humidity: 5% ~ 85% (Operating), 0% ~ 95% (Non-operating)

INTERFACE DIAGRAM



For technical or sales support, please visit:

www.starviewint.asia

Performance specifications are typical. Due to constant research, specifications are subject to change without notice. For the most up-to-date specifications, please contact an authorized Starview representative.

For assistance with confirming the Jurisdiction & Classification of Starview Asia products, please contact info@starviewint.asia

Copyright © 2025 STARVIEW ASIA. All rights reserved.
Australia Headquarters: Level 40, 140 Williams Street, Melbourne VIC 3000, Australia