



KEY FEATURES

- UP TO 4MP REAL TIME STREAM
- 32X OPTICAL ZOOM
- ULTRA FAST ROTATION AND TRACKING
- 10MILLIONS OF TRACKING LIFE CIRCLE
- SMART TRACKING FUNCTION
- NIGHT VIEW RANGE 300 METER
- H.264+, H.265+ CODEC SUPPORT
- HIGH SPEED TRACKING
- LONG IR SUPPLEMENT LIGHT DISTANCE
- ULTRA TRUE WDR HDR LENS
- AUTOMATIC GAIN CONTROL
- TRIPLE STREAM SUPPORT
- AUDIO & ALARM AUXILIARY
- PROTECTION RATE IP67
- VANDAL PROTECTION IK10
- NDAA COMPLIANCE¹

SPECIFICATIONS

CAMERA	
SENSOR	1/2.8" Progressive scan CMOS, BSI, NIR++, Dual Gain
RESOLUTION	4.0 Megapixel Resolution, 2560 x 1440
MIN. ILLUMINATION	Color: 0.01Lux, F1.6 AGN On, B/W: 0.002Lux, F1.6 AGC On, 0 Lux IR On
LENS	32x Optical Zoom, 8x Digital Zoom, F = 4.8mm ~ 154mm
ZOOM SPEED	Approx. 4.4s
IRIS	Auto / Manual (DC IRIS)
IR CUT TYPE	Removable IRCF, Reflection type
FOV	H: 59.38° ~ 2.28°, V: 35.7° ~ 1.29°, D: 66.28° ~ 2.6°
SHUTTER SPEED	1/25 - 1/25,000s (1/30s - 1/30,000s @30fps)
DAY/NIGHT	Auto, Manual, time schedule
WDR	True WDR Support ≥ 120dB HDR
SNR	≥52dB
AGC	Auto / Manual
DNR	3D-DNR Support (Auto / Manual)
MOTION DETECTION	Support
PRIVACY MASK	Support, 4 Areas
WHITE BALANCE	Auto/Manual/Indoor/Outdoor/Manual
LENS DISTORTION	Support
BLC	Support
HLC	Support
IMAGE SETUP	Brightness, Sharpness, Hue, Saturation, Flip, Mirror
IR ILLUMINATION	IR Range 300 Meter (984.3 ft), Smart IR
IR TYPE	8Pcs of 4W 855nm IR Array, 4 Groups
ENCODE	
VIDEO ENCODING	Smart H.265+ / H.265 / H.264+ / H.264 / M-JPEG

RESOLUTION STREAM	Main stream: 25/30fps @ 2560 x 1440, 1920 x 1080, 1280 x 960, 1280 x 720 Sub-stream: 25fps @ 704 x 576, 640 x 480, 352 x 288 30fps @ 704 x 480, 640 x 480, 352 x 240 Third Stream: 25fps @ 1920 x 1080, 1280 x 960, 1280 x 720, 704 x 576, 640 x 480, 352 x 288 30fps @ 1920 x 1080, 1280 x 960, 1280 x 720, 704 x 480, 640 x 480, 352 x 240
VIDEO BITRATE CONTROL	CBR/VBR
VIDEO BITRATE	64Kbps ~ 16Mbps
AUDIO COMPRESSION	G711A/U
AUDIO BITRATE	64Kbps
SMART FUNCTIONS	
BASIC FUNCTIONS	Motion detection, video tampering alarm, exception (network disconnected, IP address conflict, SD full, SD error)
FACE RECOGNITION	(default off, open upon request) Max 15 human faces per second, detect, capture
SMART DETECTION	Tripwire, Bi-directional tripwire, Illegal intrusion detection, Region entrance detection, Region exitance detection, etc.
ROAD TRAFFIC	Vehicle detecting and tracking
SMART TRACKING	Manual Tracking, Auto Tracking (human or vehicle by software setting)
ALARM LINKAGE	Alarm actions, such as Preset, Cruise, Trace, Memory Card Video Record, Trigger Recording, Upload to FTP/Memory Card, Send Email, etc
INTERFACE	
ALARM	1x In/1x Out (Dry Contact)
AUDIO	1x audio input / 1x Output line level, impedance, 600Ω
RESET BUTTON	Support
LOCAL STORAGE	Support Micro SD slot, Up to 256GB (SD Not included)



SA-T4030R-W32

IP SPEED DOME 4MP 32X PTZ CAMERA

SPECIFICATIONS, CONT.

INTERFACE	
NETWORK PORT	1x RJ45 10/100Mbps Ethernet, PoE+ 802.3.at
ELECTRIC HEATER AND FAN	Support
WATER REMOVAL	Remove water drops by quick spinning
DEMIST	Active electric heating and air loop
FUNCTION	
PAN RANGE	360° Endless
TILT RANGE	-25° ~ 155° auto flip at 90°
PAN SPEED	Configurable, from 0.1° ~ 360 °/S, Speed: 330°/s
TILT SPEED	Configurable, from 0.1° ~ 210 °/S, Speed: 180°/s
PROPORTIONAL ZOOM	Yes
PRESET	360
CRUISE	8 cruises, up to 16 presets for each cruise
TRACE	4 tracks, record time over 3 minutes for each track
3D POSITION	Support
POWER OFF MEMORY	Support
PTZ STATUS DISPLAY	Support
SCHEDULE TASK	Preset / cruise / Track / Random Scan / Boundary Scanning / Dome reboot
USERS	Up to 16 users simultaneously, 3 Levels, Admin/ Advanced / Normal user
SECURITY	User authentication (ID and PW), Host authentication (MAC address), HTTPS encryption, IEEE802.1x port-based network access control, IP address filtering
OPEN PROTOCOLS	Onvif (Profile S, G, T), SDK
NETWORK PROTOCOL	HTTP, HTTPS, IPv4/IPv6, 802.1x, QoS, FTP, SMTP, UPnP, SNMP, DNS, DDNS, NTP, RTSP, RTP, TCP/IP, UDP, IGMP, ICMP, DHCP, PPPoE, P2P, RTMP
WEB BROWSER	IE8-11 with plug-in; Edge, Chrome, Firefox with plugin free

GENERAL PARAMETER	
LANGUAGE	Czech, English, German, Hungarian, Italian, Japanese, Korean, Portuguese, Polish, Russian, Romanian, Spanish, Turkish, Traditional Chinese, etc.
PROTECTION	IP67 / IK10 Vandal including Glass, Aluminum Body
WORKING TEMPERATURE	-40°C - 65°C / -40°F - 149°F, IR Off 10% - 90%, No Condensation IR On -40°C - 45°C / -40°F - 113°F, Cold Start at -30°C
STORAGE TEMPERATURE	40°C - 70°C / -40°F - 158°F, 10% - 90%, No Condensation
LIGHTNING	6000V Lightning Protection, Surge Protection and Voltage Transient Protection
POWER CONSUMPTION	Avg. 12W, max 19W, including IR 4W
POWER ADAPTOR	DC24V ±25% 2500mA adaptor (AC24V is per request)
POWER OVER ETHERNET	PoE+ (802.3.at), Avg 12W, Max 24Watt Including IR 8Watt
WEIGHT	∅197mm x 302mm (∅7.8 Inch x 11.9 Inch)
DIMENSION	~2.82 kg (6.22 lb)
APPROVAL ²	CE, FC Approval

¹ Available in NDAA-compliant options.

² The listed certifications are issued for markets in different regions. For the current status of the listed certifications in your region, please contact an authorized Starview representative.

ACCESSORIES

Not included to be purchased Separately



Corner Mount



Wall Mount



Ceiling Mount



Pole Mount

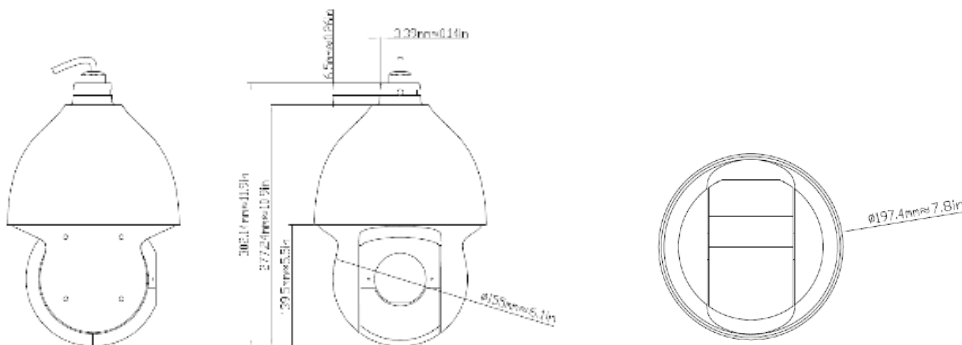


Pole Mount with junction box



Wall Mount with junction box

DIMENSIONS MM



For technical or sales support, please visit:
www.starviewint.asia

Performance specifications are typical. Due to constant research, specifications are subject to change without notice. For the most up-to-date specifications, please contact an authorized Starview representative.

For assistance with confirming the Jurisdiction & Classification of Starview Asia products, please contact info@starviewint.asia

Copyright © 2025 STARVIEW ASIA. All rights reserved.
Australia Headquarters: Level 40, 140 Williams Street, Melbourne VIC 3000, Australia