



KEY FEATURES

- UP TO 2MP REAL TIME STREAM
- PTZ 4INCH DESIGN
- LIGHT WEIGHT SMART IR PTZ
- OPTICAL 15X ZOOM, 16X DIGITAL
- SMART TRACKING FUNCTION OF HUMAN AND VEHICLE
- SMART DETECTION AND PARAMETER PROTECTION
- DETECT 7 OBJECTS PER SCENE
- TRUE WDR HDR FEATURE
- NIGHT VIEW RANGE 200 METER
- SMART H.264+, H.265+ CODEC
- AUTOMATIC GAIN CONTROL
- TRIPLE STREAM SUPPORT
- PROTECTION RATE IP66
- VANDAL BODY IK10
- NDAA COMPLIANCE¹
- WATER REMOVAL FUNCTION

SPECIFICATIONS

CAMERA	
SENSOR	1/2.8" Progressive scan CMOS NIR Technology
RESOLUTION	2.0 (1920 x 1080) Megapixel Resolution
MIN. ILLUMINATION	Color: 0.002Lux, F1.6 (AGC: ON), B/W: 0.0004Lux, F1.6 (AGC: ON), 0 Lux IR On
LENS	15x Optical Zoom, 16x Digital Zoom
FOCUS LENS	F = 5mm ~ 75mm, speed Approx 2.4s
SHUTTER SPEED	1/25s - 1/25,000s, (1/30s- 1/30,000 60Hz)
WHITE BALANCE	Auto/Manual/Indoor/Outdoor/Manual
WDR	True WDR Support 120dB / HDR
FOV	H: 54° ~ 4°, V: 32° ~ 2.3°, D: 64.5° ~ 4.6° (Wide - Tele, ±5%)
GAIN CONTROL	Auto / Manual
DAY NIGHT CONTROL	Auto / Manual, time schedule
IRIS CONTROL	Auto / Manual, 16 step adjustable (DC IRIS)
SNR	≥ 52db
3D-DNR	Auto / Manual
PRIVACY MASK	4 Areas - up to 4 Zones in same frame
MOTION DETECTION	Support
BLC	Support
HLC	Support
IMAGE SETUP	Brightness, Sharpness, Hue, Saturation
IR ILLUMINATION	IR up to 200 meter (850nm, 6IR), Smart IR
ENCODE	
VIDEO ENCODING	H.265+ / H.265 / H.264+ / H.264 / M-JPEG
RESOLUTION STREAM	Main stream: 25/30fps @ 1920 x 1080, 1280 x 960, 1280 x 720 Sub-stream: 25fps @ 704 x 576, 640 x 480, 352 x 288 30fps @ 704 x 480, 640 x 480, 352 x 240 Third Stream: 25fps 1920 x 1080, 1280 x 960, 1280 x 720, 704 x 576, 640 x 480, 352 x 288 30fps@ 1920 x 1080, 1280 x 960, 1280 x 720, 704 x 480, 640 x 480, 352 x 240

VIDEO BITRATE CONTROL	CBR/VBR
VIDEO BITRATE	64Kbps ~ 16Mbps
AUDIO COMPRESSION	G711A/U
AUDIO BITRATE	64Kbps
SMART FUNCTIONS	
EVENTS	Motion detection, video tampering alarm, exception (network disconnected, IP address conflict, SD full, SD error)
ROAD TRAFFIC	Vehicle detecting and tracking
SMART DETECTION	Tripwire, Bi-directional tripwire, Illegal intrusion detection, Region entrance detection, Region exiting detection, Object removal detection, etc. upon VCA request
SMART TRACKING	Smart Tracking (human or vehicle by software setting - Auto/Manual)
ALARM LINKAGE	Alarm actions, such as Preset, Cruise, Trace, Memory Card Video Record, Trigger Recording, Notify Surveillance Center, Upload to FTP/Memory Card, Send Email, etc.
INTERFACE	
NETWORK PORT	1x RJ45 10/100Mbps Adaptive Ethernet, PoE+ (802.3 .af, class 3)
LOCAL STORAGE	Support, Micro SD/TF card Up to 256GB (SD Not included)
RESET BUTTON	Support
ELECTRIC HEATER AND FAN	Yes
WATER REMOVAL	Built-in raindrops eyebrow, lotus coating glass, quick-spinning
FROST REMOVAL	Desiccant, Vacuumize
API	Onvif, SDK
FUNCTION	
PAN RANGE	360° Endless
TILT RANGE	-10° ~ 90°, auto flip
PAN SPEED	Configurable, from 0.1° ~ 80°/S, Speed: 80°/s
TILT SPEED	Configurable, from 0.1° ~ 80°/S, Speed 80°/s



SA-T2030R-W15

IP 2MP 4INCH NETWORK PTZ SPEED DOME CAMERA

SPECIFICATIONS, CONT.

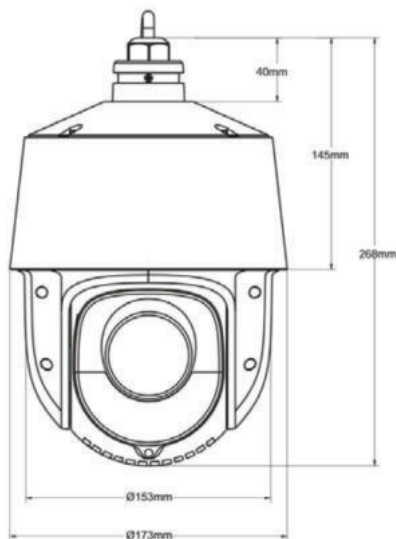
FUNCTION	
FUNCTIONS	Proportional Zoom, Power Off-Memory
PRESET	360
CRUISE	8 cruises, up to 16 presets for each cruise
TRACE	4 traces, record time over 3 minutes for each trace
3D POSITION	Support
PTZ POSITION DISPLAY	Support
SCHEDULE TASK	Preset/Cruise/Track/Random Scan/Boundary Scanning/Dome reboot
USERS	Up to 16 users, 6 views simultaneously, 3 Levels, Admin / Advanced / Normal user
SECURITY	User authentication (ID and PW), Host authentication (MAC address), HTTPS encryption, IEEE802.1x port-based network access control, IP address filtering
OPEN PROTOCOLS	Onvif (G/S/ T), SDK
NETWORK PROTOCOL	HTTP, HTTPS, IPv4/IPv6, 802.1x, QoS, FTP, SMTP, UPnP, SNMP, DNS, DDNS, NTP, RTSP, RTCP, RTP, TCP/IP, UDP, IGMP, ICMP, DHCP, PPPoE, P2P

GENERAL PARAMETER	
LANGUAGE	Czech, English, German, Hungarian, Italian, Japanese, Korean, Portuguese, Polish, Russian, Romanian, Spanish, Spanish (Mexico), Simplified Chinese, Turkish
WORKING TEMPERATURE	-30°C ~ 65°C / -22°F ~ 149°F, Cold starts at -20°C (Avg ~30 minutes waiting) IR Off: 30°C ~ 45°C / -22°F ~ 113°F
STORAGE TEMPERATURE	-40°C ~ 70°C / -40°F ~ 158°F
HUMIDITY	10% - 90%, (non condensing)
MATERIAL	Main Body Aluminum Alloy, IK10 Body
PROTECTION	IP66, IK10 6000V Lightning Protection, Surge Protection and Voltage Transient Protection
POWER SUPPLY	DC12V± 25%, 2000mA, PoE (802.3.af, class 3) Max 12W (IR on + PT Rotation)
DIMENSION	∅173mm x 268mm / ∅6.8" x 10.5"
WEIGHT	~2.0 kg / ~4.4 lb
APPROVAL ²	CE, FC Approval

¹ Available in NDAA-compliant options.

² The listed certifications are issued for markets in different regions. For the current status of the listed certifications in your region, please contact an authorized Starview representative.

DIMENSIONS MM



DORI DISTANCE			
LENS	DETECT 25px/m	RECOGNIZE 125px/m	IDENTIFY 250px/m
5mm	73m (239.5 ft)	14.6m (47.9 ft)	7.3m (23.95 ft)
75mm	883m (2897 ft)	176.6m (579.4 ft)	88.3m (289.7 ft)

ACCESSORIES

Not included to be purchased Separately



Corner Mount



Wall Mount



Ceiling Mount



Pole Mount



Pole Mount with junction box



Wall Mount with junction box

For technical or sales support, please visit:

www.starviewint.asia

Performance specifications are typical. Due to constant research, specifications are subject to change without notice. For the most up-to-date specifications, please contact an authorized Starview representative.

For assistance with confirming the Jurisdiction & Classification of Starview Asia products, please contact info@starviewint.asia

Copyright © 2025 STARVIEW ASIA. All rights reserved.
Australia Headquarters: Level 40, 140 Williams Street, Melbourne VIC 3000, Australia