



### KEY FEATURES

- UP TO 4MP REAL TIME STREAM
- MOTORIZED LENS 5 ~ 50 MM
- NIGHT VIEW RANGE UP TO 100 METER
- H.265+, H.264+ SMART CODEC
- INTELLIGENT ANALYTICS BUILT-IN
- DEFOG FUNCTION SUPPORT
- IMAGE DISTORTION CORRECTION
- TRIPLE STREAM SUPPORT
- TRUE WDR FEATURE SUPPORT
- BLC, HLC FEATURE SUPPORT
- BUILT-IN SD CARD SLOT
- DUAL POWER SUPPORT
- PROTECTION RATE IP67
- VANDAL BODY IK10
- NDAA COMPLIANCE<sup>1</sup>

### SPECIFICATIONS

CAMERA	
IMAGE SENSOR	1/3" Progressive scan CMOS
RESOLUTION	4.0 Megapixel 2688(H) x 1520(V)
MIN. ILLUMINATION	Color 0.005Lux@F1.6 (AGC ON), B/W 0 Lux@F1.6 (AGC ON), 0 Lux with IR On
LENS	5 ~ 50mm Motorized Lens, F1.6
FOV	H: 45.5° ~ 7°, V: 26° ~ 5°, D: 54° ~ 9°
IRIS	DC IRIS
IR RANGE	Up to 70 Meter
SHUTTER SPEED	Auto (1/3s ~ 1/100000)
S/N RATIO	≥ 50 db
DAY & NIGHT	IR cut filter with auto switch
WIDE DYNAMIC RANGE	True WDR Support ≥ 120db
BLC	Support
HLC	Support
DEFOG	Support
AGC	Support
DIGITAL NOISE REDUCTION	Support 3D-DNR
IMAGE ADJUSTMENT	Saturation, Brightness, Contrast, Hue, Sharpness adjustable
ANGLE ADJUSTMENT	Pan: 0° ~ 360°, Tilt: 0° ~ 90°, Rotation: 0° ~ 360°
ENCODE	
VIDEO ENCODING	Main stream H.265+ / H.265 / H.264+ / H.264 Sub/Third stream H.265+ / H.265 / H.264+ / H.264 / MJPEG
H.264 CODEC COMPRESSION	Baseline Profile/Main Profile/High Profile
MAX RESOLUTION	Mainstream: 30/25fps @ 4MP (2688 x 1520), 2592 x 1520, 2K (2560 x 1440), 3MP (2304 x 1296), 1080p (1920 x 1080) Substream: 30/25 fps @ 720P (1280 x 720), D1, CIF, VGA (640 x 480), 480 x 240 Third Stream: 30/25fps @ 480 x 240, D1, CIF
BIT RATE CONTROL	CBR/VBR
STREAM	Triple Stream Support

VIDEO BITRATE RANGE	64Kbps ~ 8Mbps
AUDIO COMPRESSION	G711A/U
INTERFACE	
AUDIO	1x Audio Input, 1x Audio Output, 1x Ch Built in Mic
ALARM	1x Ch Input / 1x Ch Output
LOCAL STORAGE	Support Micro SD (256G) (SD Card Not Included)
HARDWARE RESET	Support
VIDEO OUTPUT	Support CVBS (BNC 1x)
NETWORK PORT	1x RJ45 10M/100M Ethernet interface
ANALYTICS	
PERIMETER PROTECTION	Line crossing, region entrance/exiting/Loiter detection, illegal parking detection, abandoned/missing object detection
TARGET COUNTING	Target counting by line/area, heat map
CLASSIFIED OBJECT TYPE	Vehicle: Color, Year, Type, Brand, Model Human: Gender, Age, Direction (front/Back), Hat, Glasses, backpack, mask, Dress, Sholder bag/Backpack, upper clothing, lower clothing
EXCEPTION DETECTION	Scene change (tamper) / Video blur / Video color cast detection, audio exception
FACE DETECTION	Face detection and capture support
VIDEO METADATA	Simultaneously captures human body, motor vehicle and non-motor vehicle and extracts 13 human features, 4 motor vehicle features and 1 non-motor vehicle feature
FUNCTION	
FLIP	Rotation Support
STREAMING	Unicast/ Multicast
PRIVACY MASKING	Support, 4 Zones
ROI	Support each configured separately
SMART ALARM	Motion detection, SMD, sensor detection, SD card error, SD card full, IP address conflict, network disconnection, audio alarm



# SA-NB4030-WM550

## MOTORIZED IP BULLET 4MP IR CAMERA

### SPECIFICATIONS, CONT.

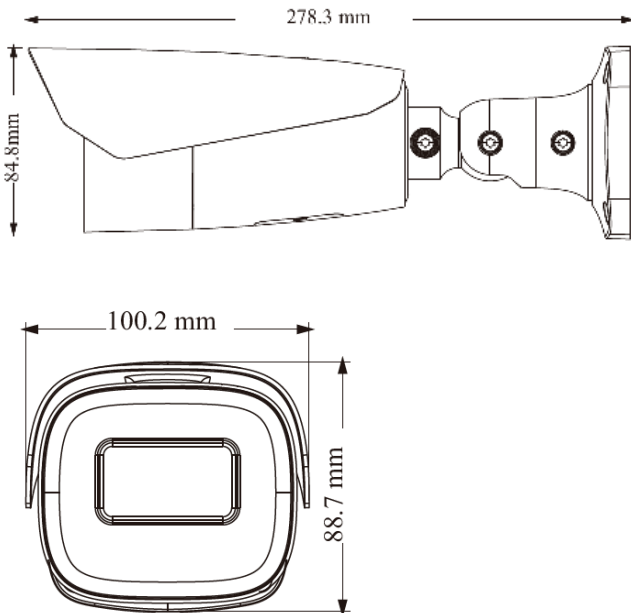
FUNCTION	
USER ACCESS	Max 10 users simultaneously Support multi-stream real time transmission
BROWSER	IE11 (plug-in required)/Chrome 89.0+/Edge 89.0+/Firefox 87.0+/Safari 14.0+
SECURITY	Video encryption, firmware encryption, HTTPs encryption, configuration encryption, illegal login lock, IP address filtering, 802.1x authentication, basic and digest authentication for HTTP/HTTPs
GENERAL	Watermark, video mask, heartbeat, image distortion correction, ANR, corridor pattern
NETWORK PROTOCOL	UDP, IPv4, IPv6, DHCP, NTP, RTSP, RTP, RTCP, ICMP, IGMP, PPPoE, DDNS, SMTP, FTP, SNMP, HTTP, 802.1x, UPnP, HTTPs, QoS
PROTOCOL	ONVIF (Profile S, Profile G, Profile T)

GENERAL PARAMETER	
PROTECTION GRADE	IP67, Vandal Body IK10
POWER SUPPLY	DC12V / POE IEEE802.3af
STORAGE TEMPERATURE	-30°C ~ +65°C / -22°F ~ +149°F
WORKING TEMPERATURE	-30°C ~ +60°C / -22°F ~ +140°F
HUMIDITY	Less than 95% (non condensing)
POWER CONSUMPTION	< 12.5W
SIZE	278.3mm x 100.2mm x 88.7mm / 10.9" x 3.9" x 3.49"
WEIGHT	~1.04Kg / 2.29lb
CERTIFICATE <sup>2</sup>	CE, FCC

<sup>1</sup> Available in NDAA-compliant options.

<sup>2</sup> The listed certifications are issued for markets in different regions. For the current status of the listed certifications in your region, please contact an authorized Starview representative.

### DIMENSIONS MM



### ACCESSORIES

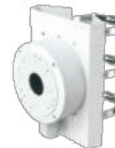
Optional accessories ordered separate not included



JUNCTION BOX



CEILING MOUNT



POLE MOUNT



CORNER MOUNT

DORI DISTANCE				
LENS	DETECT	OBSERVE	RECOGNIZE	IDENTIFY
5mm/W	73m (240 ft)	29m (95 ft)	15m (49 ft)	7m (23 ft)
50mm/T	497m (1631 ft)	199m (653 ft)	99m (325 ft)	50m (164 ft)

For technical or sales support, please visit:

[www.starviewint.asia](http://www.starviewint.asia)

Performance specifications are typical. Due to constant research, specifications are subject to change without notice. For the most up-to-date specifications, please contact an authorized Starview representative.

For assistance with confirming the Jurisdiction & Classification of Starview Asia products, please contact [info@starviewint.asia](mailto:info@starviewint.asia)

Copyright © 2025 STARVIEW ASIA. All rights reserved.  
Australia Headquarters: Level 40, 140 Williams Street, Melbourne VIC 3000, Australia