



							
3km+ Detection Range	1km+ Defeat Range	Non-Kinetic Disruption	433MHz, 868MHz, 915MHz, 1.2GHz, 2.4GHz, 5.2GHz, 5.8GHz	Weight 46kg / 101lb	GPS, GLONASS, Galileo, BeiDou, NavIC, QZSS Disruption	AI Detection Engine Upgrades	DroneLocator Detection Technology

APPLICATION

The DroneSMK is a completely software-defined detection (full hemispheric coverage) and adaptive disruption (omni-directional coverage) system.

The DroneSMK is suitable for mobile operations, field expedient pop-up, and fixed-site protection. It is a cost-effective solution with both detect and optional defeat capabilities within a single self-contained platform.

Designed to be deployed in harsh environments, the DroneSMK can be mounted to standard vehicle roof racks, on military vehicles, surface vessels, and unmanned mobile platforms. It can also be deployed as a permanent or fixed site install on standard tripod masts or towers, and supports local or remote operations.

The DroneSMK is supported by a web-based User Interface (UI) that enables operators to view real-time analytics of local detection activity with map overlay, while supporting user-defined options for either automatic or manual disruption.

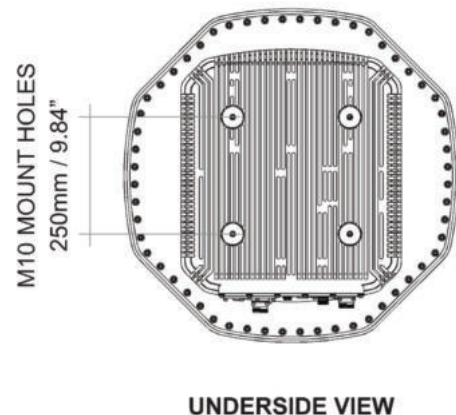
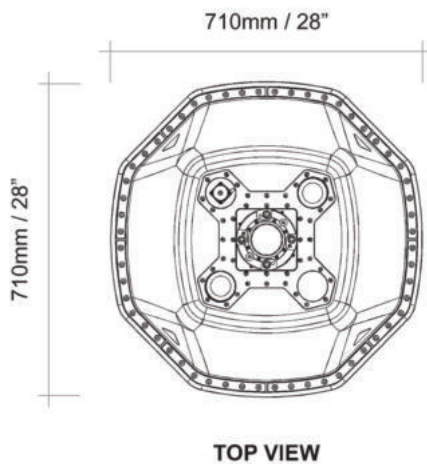
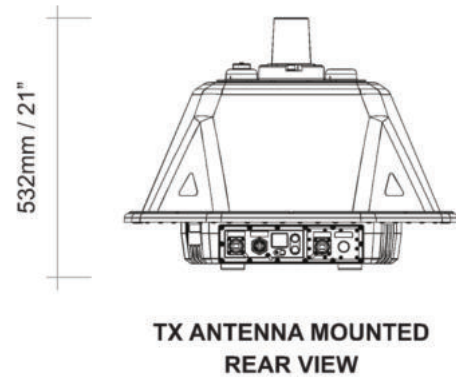
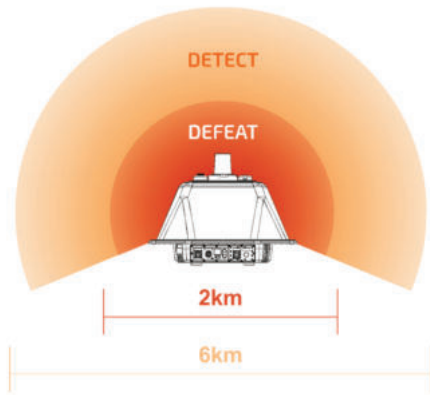
The UI also provides access to detection logs, customised filters and third-party integrations. Updates to Starview's proprietary AI/ML driven detection engine ensures the DroneSMK is effective and constantly evolving in a rapidly changing threat environment.

Starview's DroneSMK includes a ruggedised tablet to support quick access and enhanced visualisation.

SPECIFICATIONS

Performance	
Detection Range	3km+ radius
Disruption Range	1km+ radius
Product Specifications	
Disruption Methods	Software Defined Disruption
Effective Frequencies (Detect & Defeat)	- 433MHz, 868MHz, 915MHz, 1.2GHz, 2.4GHz, 5.2GHz, 5.8GHz - GNSS (Defeat Only) - DroneLocator: Remote ID and Drone ID (Detect Only)
Weight	46kg / 101lb (including brackets)
Colour	- Standard: Grey - Optional: Black, Tan
User Interface	Ruggedised tablet
Communications	- IP Connectivity - Connects to supplied tablet
Output and Integration	- Audio + Visual alerts via UI - JSON, gRPC, TAK compatible
Input Voltage	110-240VAC to 28VDC 16A Power Supply

Installation and Environment	
Operating Temperature	-20°C to +50°C / -4°F to +122°F
Ingress Protection	Rated to IP67
Certifications	- Manufactured in an ISO9001 compliant facility - MIL-STD-464
Mobile Mounting	- Compatible with most commercial roof racks - Shock and vibration isolator provided
Fixed Site Mounting	Suitable to permanent and temporary mast installations
Contents	
Crate Contents	- DroneSMK - Power Cable (15m) - Power Cable (4.6m) - Power Supply Unit (110-240VAC) - Data Cable (15m) - Data Cable (4.6m) - USB to Ethernet Adaptor - Ruggedised Tablet - Tablet Vehicle Dock - Shock and Vibration Isolator - Bracket Plate and U-Bolt Kit - Quick Start Guide



HOW IT WORKS

DroneSMK is installed on a freestanding tripod, or the roof of a vehicle, surface vessel or building. The device continuously monitors the area for drone and controller RF signals. When one is detected, it is displayed to the operator on a rugged tablet with information including signal strength and line of bearing.

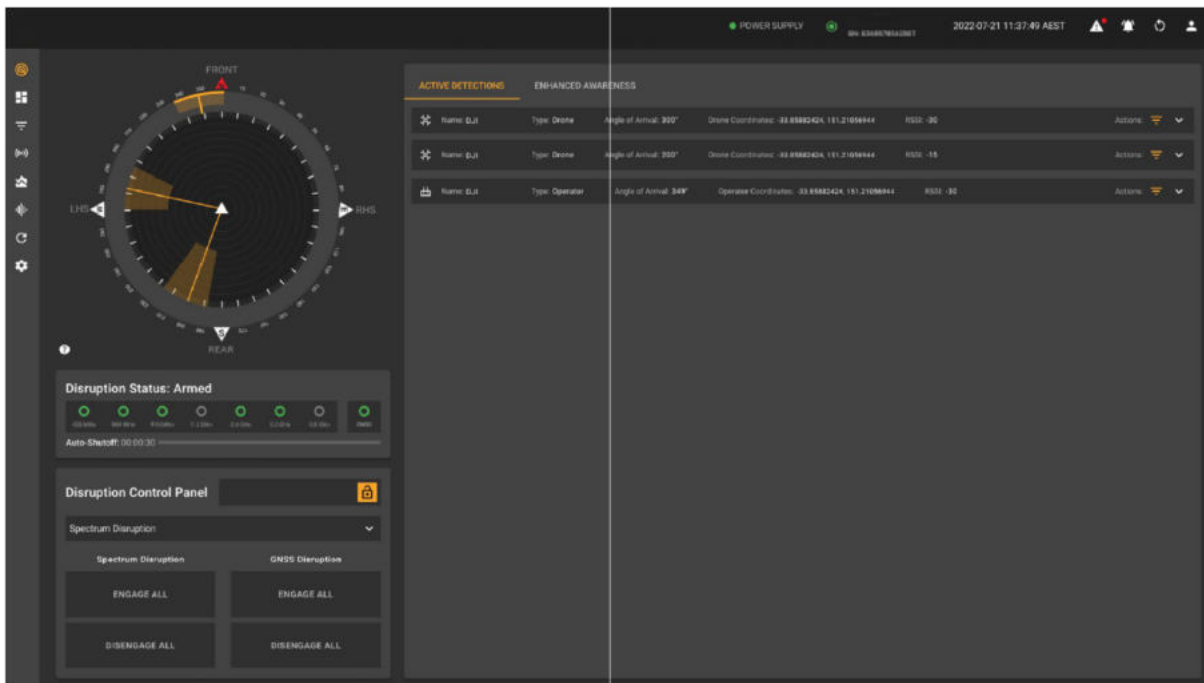
If disruption is engaged (either automatically or manually) the device will enter disruption mode for a predetermined amount of time.

DroneSMK will return to detection once disrupting has been stopped.



PRODUCT DIFFERENTIATORS

- Detection frequencies: 433MHz, 868MHz, 915MHz, 1.2GHz, 2.4GHz, 5.2GHz, 5.8GHz
- Disruption frequencies: 433MHz, 868MHz, 915MHz, 1.2GHz, 2.4GHz, 5.2GHz, 5.8GHz, with operator toggle GNSS disruption
- Full hemispheric coverage option (including above the device)
- 360° directional detection with cardinal bearing
- Dual capability, with detection and defeat built into the same device
- Rated to IP67



For technical or sales support, please visit:
www.starviewint.asia

Performance specifications are typical. Due to constant research, specifications are subject to change without notice. For the most up-to-date specifications, please contact an authorized Starview representative.

For assistance with confirming the Jurisdiction & Classification of Starview Asia products, please contact info@starviewint.asia

Copyright © 2025 STARVIEW ASIA. All rights reserved.
 Australia Headquarters: Level 40, 140 Williams Street, Melbourne VIC 3000, Australia