

# SA-N2350P6-BR-Z

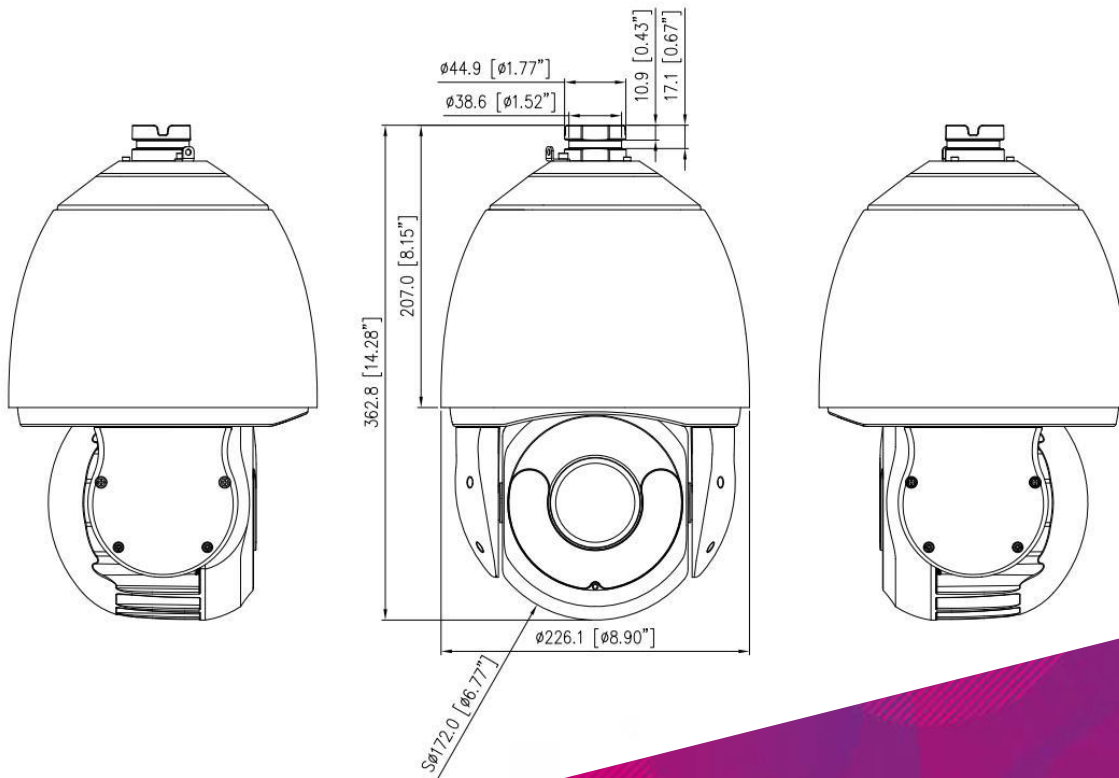
7-INCH 4MP 30X STARLIGHT IR NETWORK PTZ CAMERA



## FEATURES

- 1/2.8" STARVIS™ CMOS
- Max. 25/30 fps@2592 × 1520
- 30x optical zoom, 16x digital zoom
- Supports detection and capture of faces, humans, and vehicles, along with smoke and flame detection.
- Supports intelligent analysis for intrusion, single / double line crossing, loitering, wrong-way detection, illegal parking, smart motion detection, and people counting
- Auto tracking and perimeter protection based on deep learning
- True WDR, 3D DNR, ICR, Defog and DIS
- Smart IR distance up to 200 m
- IP66, IK10

## DIMENSIONS



**Technical specifications****SA-N2350P6-BR-Z**

Camera	Image Sensor	1/2.8" Progressive Scan CMOS
	Max Resolution	2592(H) × 1520(V)
	Electronic Shutter	Auto/Manual, 1/5 to 1/20,000s
	Min Illumination	Color: 0.005 Lux @ (F1.6, AGC ON), B/W: 0.001 Lux @ (F1.6, AGC ON), 0 Lux with IR on
	Day & Night	Auto (ICR)
	Wide Dynamic Range	True WDR (120dB)
Lens	Focal Length	5.3 to 159 mm
	Max. Aperture	F1.6 to F4.4
	Angle of View	H: 57.3° to 2.6°, V: 33.9° to 1.5°
	Optical Zoom	30x
	Digital Zoom	16x
	Iris Control	Auto/Manual
	Focus Control	Auto/Manual/Semi-automatic
	DORI Distance	Detection
Observe		41.2 to 1,236 m (135.17 to 4,055.1 ft)
Recognize		20.6 to 618 m (67.59 to 2,027.6 ft)
Identify		10.3 to 309 m (33.79 to 1,013.8 ft)
Illuminator	Illuminator Type	IR
	Illumination Distance	IR distance up to 200 m (656.2 ft)
	Illumination On/Off Control	Auto/Manual
Intelligent Analytics	Multi-Object Detection	Support face, human, vehicle detection and capture
	Smoke and Flame Detection	Support
	Intelligent Analysis	Intrusion, Single line crossing, Double line crossing, Loitering, Wrong-way detection, Illegal parking, and Smart motion detection (support the accurate detection of vehicle and human)
	People Counting	Support
	Smart Tracking	Support
PTZ	Pan/Tilt Range	Pan: 0° to 360° endless, Tilt: -10° to +90° (auto-flip)
	Pan Speed	Pan speed: 0.1° to 300°/s, preset speed: 300°/s
	Tilt Speed	Tilt speed: 0.1° to 300°/s, preset speed: 300°/s
	Presets	400
	Patrol Scan	6 Track, 12 Scan, 12 Patrol (up to 32 presets each patrol)
	Power-Off Memory	Support
	3D Positioning	Support
	PTZ Status Display	Support
	Idle Motion	The time can be set (1-240 minutes), and functions such as preset positions, patrols, scans, and tracks can be run.
Video and Audio	Video Encoding	H.265, H.264, MJPEG
	Streaming Capability	3 Streams
	Stream/Frame Rate	Stream1: 2592×1520, 2560×1440, 2304×1296, 1920×1080, 1280×720 @25/30fps Stream2: D1, VGA, CIF @25/30fps Stream3: VGA, CIF, QVGA @25/30fps
	Bit Rate Control	CBR/VBR
	Bit Rate	Stream1: 200 kbps to 12 Mbps Stream2: 100 kbps to 6 Mbps Stream3: 100 kbps to 3 Mbps
	Smart Encoder	Support
	Region of Interest (ROI)	Support
	Audio Compression	G.711 A-law, G.711 μ-law, RAW_PCM
	Audio Bit Rate	64 kbps (G.711), 128 kbps (RAW_PCM)
Image	Image Adjustment	Brightness, Sharpness, Contrast, Saturation adjustable
	Mirror	Support
	Exposure Mode	Auto/Manual
	White Balance	Auto/Manual
	Day/Night Setting	Auto, Day, Night, Time
	Noise Reduction	2D/3D DNR
	Image Enhancement	HLC, BLC, Defog, WDR, Anti-shake
	Privacy Masking	Support 40 zones, mask color configurable
	SNR	≥ 55dB
Event	Alarm Triggers	IVS, Motion detection, Alarm input, Network alarm, Disk alarm, Abnormal sound detection
	Alarm Events	Alarm record, Alarm output, FTP upload, SMTP upload, Audible alarm output

For technical or sales support, please visit:  
[www.starviewint.asia](http://www.starviewint.asia)

For assistance with confirming the Jurisdiction & Classification of Starview Asia products, please contact [info@starviewint.asia](mailto:info@starviewint.asia)

Copyright © 2025 STARVIEW ASIA. All rights reserved.  
Australia Headquarters: Level 40, 140 Williams Street, Melbourne VIC 3000, Australia

## Technical specifications (Cont.)

## SA-N2350P6-BR-Z

Network	Protocols	IPv4/IPv6, HTTP/HTTPS, DNS, DDNS, DHCP, PPPoE, RTSP/ RTP/RTCP, TCP/UDP, NTP, ARP, UPnP, FTP, SMTP, QoS, ICMP, IGMP, SMTP, 802.1x, SNMP, Multicast
	Interoperability	ONVIF (Profile S/T/G/M), SDK, CGI
	User/Host Level	Up to 10 users, 3 levels: Administrator, Operator, Media user
	Security	IP address filter, encrypted HTTPS, Illegal login lock, IEEE 802.1x
	Web Viewer	<IE11, Chrome, Firefox, Microsoft Edge
Interface	Network Interface	1 Ethernet (10/100 Base-T) RJ-45 Connector
	Audio Interface	1ch Input, 1ch Output
	Alarm Interface	7ch Input, 2ch Output
	RS-485	Support
	BNC Interface	1 BNC (CVBS output)
General	SD Card Slot	Built-in, up to 1 TB
	Language	English, Chinese, Polish, Italian, Portuguese, Spanish, Russian, French, Czech, Hungarian. Default: English
	Power Supply	24VAC/36VDC/PoE++ (802.3bt), Standard Equipped: 36VDC
	Power Consumption	Less than 45 W
	Operating Temperature	-40°C to 60°C (-40°F to 140°F )
	Operating Humidity	Less than 95% RH (non-condensing)
	Ingress Protection	IP66, IK10
	Certifications*	CE-EMC (EN 55032:2015+A1:2020, EN IEC 61000-6-3:2021, EN IEC 61000-3-2:2019+A1:2021, EN 61000-3-3:2013+A2:2021, EN 55035:2017+A11:2020, EN 50130-4:2011+A1:2014) CE-LVD (EN 62368-1:2014+A11:2017) FCC (FCC 47 CFR 15, Subpart B, ANSI C63.4-2014)
	Material	Metal
	Dimensions	φ226.1 × 362.8 mm (φ8.9 × 14.28 inch)
Net Weight	5.5 kg (12.13 lb)	

\* The listed certifications are issued for markets in different regions. For the current status of the listed certifications in your region, please contact an authorized Starview representative.

## ACCESSORIES (OPTIONAL)



Wall Bracket



Ceiling Bracket



Corner Mount



Pole Mount



Junction Box



Pole Mount



Corner Mount

For technical or sales support, please visit:

[www.starviewint.asia](http://www.starviewint.asia)

Performance specifications are typical. Due to constant research, specifications are subject to change without notice. For the most up-to-date specifications, please contact an authorized Starview representative.

For assistance with confirming the Jurisdiction & Classification of Starview Asia products, please contact [info@starviewint.asia](mailto:info@starviewint.asia)

Copyright © 2025 STARVIEW ASIA. All rights reserved.  
Australia Headquarters: Level 40, 140 Williams Street, Melbourne VIC 3000, Australia