

SA-N2080B9-AN-VZ

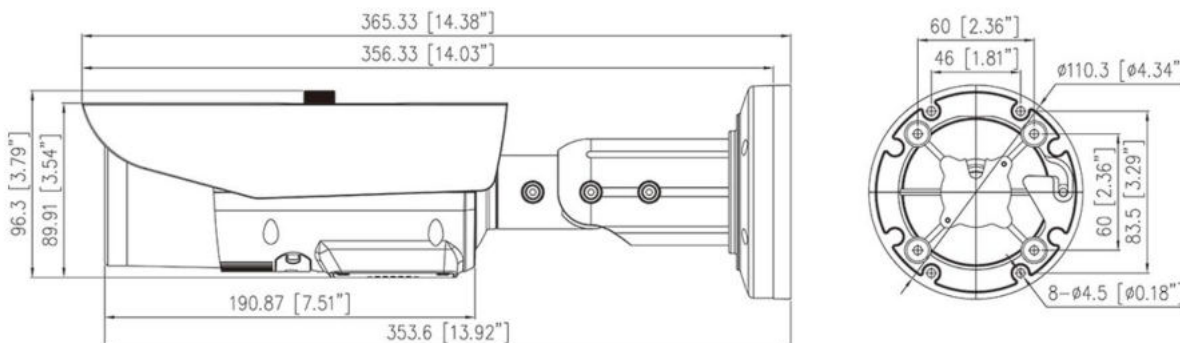
8MP IR VARIFOCAL BULLET NETWORK CAMERA



FEATURES

- 1/1.8" STARVIS™ CMOS
- Max. 8MP(3840×2160) @25/30fps resolution
- 3.6 to 11 mm motorized focal lens
- Supports face, human, and vehicle detection & capture.
- Supports human and vehicle attribute detection.
- Intelligent analytics: Intrusion, smart motion detection, single line crossing, double line crossing, loitering, wrong-way detection, area people limit, perimeter detection, illegal parking, running detection, fall detection, fight detection, and people counting.
- True WDR (120dB), 3D DNR, ROI, Defog, HLC
- Smart IR distance up to 70 m
- Built-in microphone, 1/1 audio input/output, 1/1 alarm input/output
- Built-in microSD card slot (up to 1 TB)
- IP67, IK10-rated housing

DIMENSIONS



ACCESSORIES (OPTIONAL)



Junction Box



Pole Mount

Technical specifications**SA-N2080B9-AN-VZ**

| | | |
|-----------------------|-----------------------------------|---|
| Camera | Image Sensor | 1/1.8" Progressive Scan CMOS |
| | Max Resolution | 8MP, 3840(H) × 2160(V) |
| | Shutter Speed | 1/5 to 1/20,000s |
| | Min Illumination | Color: 0.003 Lux @ (F1.3, AGC ON), B/W: 0.0008 Lux @ (F1.3, AGC ON), 0 Lux with IR on |
| | Day & Night | Auto (ICR) |
| | Angle Adjustment | Pan: 0° to 360°, Tilt: 0° to 90°, Rotation: 0° to 360° |
| Lens | Lens Type | Varifocal lens, Motorized focal |
| | Focal Length | 3.6 to 11 mm |
| | Max. Aperture | F1.3 |
| | Field of View (FOV) | H: 112.6° to 47.9°, V: 58.2° to 26.8° |
| | Iris | Auto Iris |
| Illuminator | Type | IR |
| | IR wavelength | 850 nm |
| | Distance | Up to 70 m (229.7 ft) |
| | Control | Auto/Manual |
| Intelligent Analytics | AI Multi-Target | - Supports face, human, and vehicle detection & capture - Supports human and vehicle attribute detection - Supports multiple frame modes: Full Frame, Four-Corner Frame, Mosaic |
| | Attribute Extraction | Human Attributes: Gender, age, glasses, hat, bag, upper clothing color & style, lower clothing color & style, reflective vest Vehicle Attributes: Type, color, brand, orientation |
| | Intelligent Analysis | Intrusion detection, smart motion detection, single line crossing, double line crossing, loitering, wrong-way detection, area people limit, perimeter detection, illegal parking, running detection, fall detection, fight detection - Supports accurate target classification (human/vehicle) |
| | People Counting | Supported |
| Video & Audio | Video Encoding | H.265, H.264, MJPEG |
| | Number of Streams | 3 Streams |
| | Resolution | Stream1: 3840×2160, 2592×1944, 2592×1520, 2560×1440, 2304×1296, 1920×1080, 1280×720 Stream2: D1, VGA, CIF Stream3: VGA, CIF, QVGA |
| | Frame Rate | Up to 25/30fps |
| | Bit Rate Control | CBR/VBR |
| | Bit Rate | Stream1: 200 Kbps to 16 Mbps Stream2: 100 Kbps to 6 Mbps Stream3: 100 Kbps to 3 Mbps |
| | Smart Encoding | Supported |
| | Region of Interest (ROI) | Off/On (8 Zone, Rectangle) |
| | Audio Compression | G.711 A-law, G.711 μ-law, RAW_PCM |
| | Audio Bit Rate | 64 Kbps (G.711), 128 Kbps (RAW_PCM) |
| | Image | Image Adjustment |
| Scene Mode | | Indoor, Outdoor, Mirror, Corridor mode |
| Exposure Mode | | Auto, Manual, Shutter priority |
| White Balance | | Auto, Tungsten, Fluorescent, Daylight, Shadow, Manua |
| Day/Night Setting | | Auto, Day, Night, Timer |
| Noise Reduction | | 2D/3D DNR |
| Image Enhancement | | HLC, BLC, Defog, WDR, AWB |
| Wide Dynamic Range | | True WDR (120dB) |
| Privacy Masking | | 4 areas |
| SNR | | ≥ 50dB |
| Auto focus | | Supported |
| Event | Alarm Triggers | IVS, Motion detection, Alarm input, Network alarm, Disk alarm, Day/Night switch alarm, Abnormal sound detection |
| | Event Actions | Alarm record, Alarm output, FTP upload, SMTP upload, Snapshot, Audible alarm output |
| Network | Protocols | IPv4/IPv6, HTTP/HTTPS, DNS, DDNS, DHCP, PPPoE, RTSP/ RTCP/RTP, TCP/UDP, NTP, ARP, UPnP, FTP, SMTP, QoS, ICMP, IGMP, SMTP, 802.1x, SNMP, Multicast |
| | Application Programming Interface | ONVIF (Profile S/T/G/M), SDK, CGI |
| | Max Concurrent Streams | 10 channels |
| | User/Host Level | 32+ users, 3 levels: Administrator, Operator, Media user |
| | Web Viewer | <IE11, Chrome, Firefox, Microsoft Edge |

For technical or sales support, please visit:
www.starviewint.asia

For assistance with confirming the Jurisdiction & Classification of Starview Asia products, please contact info@starviewint.asia

Copyright © 2025 STARVIEW ASIA. All rights reserved.
Australia Headquarters: Level 40, 140 Williams Street, Melbourne VIC 3000, Australia

Technical specifications (Cont.)**SA-N2080B9-AN-VZ**

| | | |
|---------------------------------------|------------------------|--|
| Security | OS / Firmware Protect | Encrypted firmware, Secure boot, Signed firmware |
| | User Authentication | Digest authentication, Prevent brute-force attack |
| | Network Authentication | IEEE 802.1X (EAP-TLS) |
| | Secure Communication | HTTPS, WSS (WebSocket Secure), SRTP |
| | Access Control | IP-based access control, Auto logout |
| | Data Protect | Encryption credentials |
| | Audit | Access / System / Event Log management |
| | Secure Storage | SDcard partition encrypt (AES-256), Secure element |
| | Supply Chain Security | SBOM |
| Interface | Network Interface | 1 × Ethernet (10/100 Base-T), RJ-45 connector |
| | Built-in Microphone | Supported |
| | Built-in Speaker | Supported |
| | Audio Interface | 1ch Input, 1ch Output |
| | Alarm Interface | 1ch Input, 1ch Output |
| | SD Card Slot | Built-in microSD card slot, up to 1 TB |
| | Reset Button | Supported |
| General | Language | English, Chinese, Traditional Chinese, Polish, Italian, Portuguese, Spanish, Russian, French, Czech, Hungarian, Japanese, Korean. Default: English |
| | Power Supply | 12 VDC (-10% to +25%) / PoE (802.3af) |
| | Power Consumption | Typical: 3.5 W (12 VDC) / approx. 4.4 W (PoE) Max (IR on + Focusing + Speaker): 9.9 W (12VDC) / approx. 12.4 W (PoE) |
| | Operating Temperature | -40°C to 60°C (-40°F to 140°F) |
| | Operating Humidity | Less than 95% RH (non-condensing) |
| | Ingress Protection | IP67 (housing), IK10 |
| | Certifications* | CE-EMC - EN 55032, EN IEC 61000-6-4, EN IEC 61000-3-2, EN 61000-3-3, EN 55035, EN 50130-4 FCC 47 CFR Part 15 Subpart B |
| | Material | Aluminum alloy |
| | Dimensions | φ110.3 × 356.33 mm (φ4.34 × 14.03 inch) |
| | Net Weight | Approx. 1.45 kg (3.2 lb) |
| DORI Distance (EN62676-4 standard) | Detect | 89.1 to 189.3 m (292.4 to 621.2 ft) |
| | Observe | 35.6 to 75.7 m (116.9 to 248.5 ft) |
| | Recognize | 17.8 to 37.9 m (58.5 to 124.2 ft) |
| | Identify | 8.9 to 18.9 m (29.2 to 62.1 ft) |

* The listed certifications are issued for markets in different regions. For the current status of the listed certifications in your region, please contact an authorized Starview representative.

For technical or sales support, please visit:

www.starviewint.asia

Performance specifications are typical. Due to constant research, specifications are subject to change without notice. For the most up-to-date specifications, please contact an authorized Starview representative.

For assistance with confirming the Jurisdiction & Classification of Starview Asia products, please contact info@starviewint.asia

Copyright © 2025 STARVIEW ASIA. All rights reserved.
Australia Headquarters: Level 40, 140 Williams Street, Melbourne VIC 3000, Australia