

SA-N2046D3-AR-Z

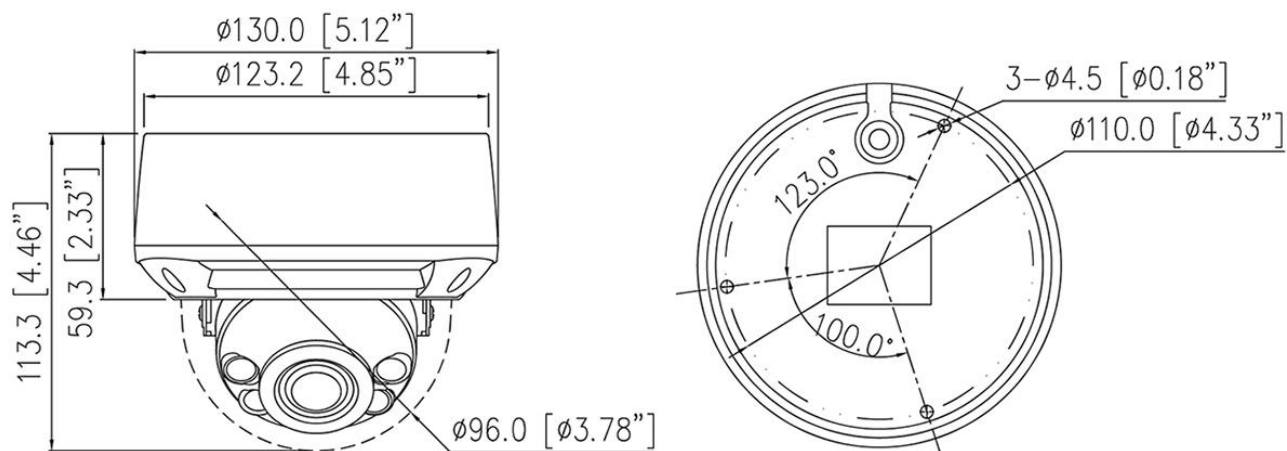
4MP IR VARIFOCAL DOME NETWORK CAMERA



FEATURES

- 1/2.8" STARVIS™ CMOS
- Max. 4MP (2592×1520) @25/30fps resolution
- 2.7 to 13.5 mm motorized focal lens
- Supports face, human, and vehicle detection & capture.
- Intelligent analytics: Intrusion, smart motion detection, single line crossing, double line crossing, loitering, wrong-way detection, area people limit, perimeter detection, illegal parking, running detection, fall detection, fight detection, and people counting.
- True WDR (120dB), 3D DNR, ROI, Defog, HLC
- Smart IR distance up to 40 m
- 1/1 audio input/output, 1/1 alarm input/output
- Built-in microSD card slot (up to 1 TB)
- IP67, IK10-rated housing

DIMENSIONS



Technical specifications**SA-N2046D3-AR-Z**

Camera	Image Sensor	1/2.8" Progressive Scan CMOS
	Max Resolution	4MP, 2592(H) × 1520(V)
	Shutter Speed	1/5 to 1/20,000s
	Min Illumination	Color: 0.005 Lux @ (F1.6, AGC ON), B/W: 0.001 Lux @ (F1.6, AGC ON), 0 Lux with IR on
	Day & Night	Auto (ICR)
	Angle Adjustment	Pan: 0° to 355°, Tilt: 0° to 75°, Rotation: 0° to 355°
Lens	Lens Type	Varifocal lens, Motorized focal
	Focal Length	2.7 to 13.5 mm
	Max. Aperture	F1.6
	Field of View (FOV)	H: 96.6° to 27°, V: 51.9° to 15.1°
	Iris	Fixed Iris
	Illuminator	Type
IR wavelength		850 nm
Distance		Up to 40 m (131.2 ft)
Control		Auto/Manual
Intelligent Analytics	AI Multi-Target	- Supports face, human, and vehicle detection & capture - Supports multiple frame modes: Full Frame, Four-Corner Frame, Mosaic
	Intelligent Analysis	Human Attributes: Gender, age, glasses, hat, bag, upper clothing color & style, lower clothing color & style, reflective vest Vehicle Attributes: Type, color, brand, orientation
	Intelligent Analysis	Intrusion, smart motion detection, single line crossing, double line crossing, loitering, wrongway detection, area people limit, perimeter detection, illegal parking, running detection, fall detection, and fight detection. - Supports accurate target classification (human/vehicle)
	People Counting	Supported
	Video Encoding	H.265, H.264, MJPEG
Video & Audio	Number of Streams	3 Streams
	Resolution	Stream1: 2592×1520, 2560×1440, 2304×1296, 1920×1080, 1280×720 Stream2: D1, VGA, CIF Stream3: VGA, CIF, QVGA
	Frame Rate	Up to 25/30fps
	Bit Rate Control	CBR/VBR
	Bit Rate	Stream1: 200 Kbps to 12 Mbps Stream2: 100 Kbps to 6 Mbps Stream3: 100 Kbps to 3 Mbps
	Smart Encoding	Supported
	Region of Interest (ROI)	Off/On (8 Zone, Rectangle)
	Audio Compression	G.711 A-law, G.711 μ-law, RAW_PCM
	Audio Bit Rate	64 Kbps (G.711), 128 Kbps (RAW_PCM)
	Image Adjustment	Brightness, Sharpness, Contrast, Saturation adjustable
	Scene Mode	Indoor, Outdoor, Mirror, Corridor mode
Image	Exposure Mode	Auto, Manual, Shutter priority
	White Balance	Auto, Tungsten, Fluorescent, Daylight, Shadow, Manual
	Day/Night Setting	Auto, Day, Night, Timer
	Noise Reduction	2D/3D DNR
	Image Enhancement	HLC, BLC, Defog, WDR, AWB
	Wide Dynamic Range	True WDR (120dB)
	Privacy Masking	4 areas
	SNR	≥ 55dB
	Auto focus	Supported
	Event	Alarm Triggers
Event Actions		Alarm record, Alarm output, FTP upload, SMTP upload, Snapshot, Audible alarm output
Network	Protocols	IPv4/IPv6, HTTP/HTTPS, DNS, DDNS, DHCP, PPPoE, RTSP/ RTCP/RTP, TCP/UDP, NTP, ARP, UPnP, FTP, SMTP, QoS, ICMP, IGMP, SMTP, 802.1x, SNMP, Multicast
	Application Programming Interface	ONVIF (Profile S/T/G/M), SDK, CGI
	Max Concurrent Streams	10 channels
	User/Host Level	32+ users, 3 levels: Administrator, Operator, Media user
	Web Viewer	<IE11, Chrome, Firefox, Microsoft Edge

For technical or sales support, please visit:
www.starviewint.asia

For assistance with confirming the Jurisdiction & Classification of Starview Asia products, please contact info@starviewint.asia

Copyright © 2025 STARVIEW ASIA. All rights reserved.
Australia Headquarters: Level 40, 140 Williams Street, Melbourne VIC 3000, Australia

Technical specifications (Cont.)

SA-N2046D3-AR-Z

Security	OS / Firmware Protect	Encrypted firmware, Secure boot, Signed firmware
	User Authentication	Digest authentication, Prevent brute-force attack
	Network Authentication	IEEE 802.1X (EAP-TLS)
	Secure Communication	HTTPS, WSS (WebSocket Secure), SRTP
	Access Control	IP-based access control, Auto logout
	Data Protect	Encryption credentials
	Audit	Access / System / Event Log management
	Secure Storage	SDcard partition encrypt (AES-256), Secure element
	Supply Chain Security	SBOM
Interface	Network Interface	1 × Ethernet (10/100 Base-T), RJ-45 connector
	Audio Interface	1ch Input, 1ch Output
	Alarm Interface	1ch Input, 1ch Output
	SD Card Slot	Built-in microSD card slot, up to 1 TB
	Reset Button	Supported
General	Language	English, Chinese, Traditional Chinese, Polish, Italian, Portuguese, Spanish, Russian, French, Czech, Hungarian, Japanese, Korean. Default: English
	Power Supply	12 VDC (-10% to +25%) / PoE (802.3af)
	Power Consumption	Max 6.5 W
	Operating Temperature	-40°C to 60°C (-40°F to 140°F)
	Operating Humidity	Less than 95% RH (non-condensing)
	Ingress Protection	IP67 (housing), IK10
	Certifications*	CE-EMC - EN 55032, EN IEC 61000-6-4, EN IEC 61000-3-2, EN 61000-3-3, EN 55035, EN 50130-4 FCC 47 CFR Part 15 Subpart B
	Material	Aluminum alloy body, bubble: plastic
	Dimensions	φ130 × 113.3 mm (φ5.12 × 4.46 inch)
	Net Weight	Approx. 787 g (1.74 lb)
DORI Distance (EN62676-4 standard)	Detect	69 to 219 m (226.4 to 718.5 ft)
	Observe	27.6 to 87.6 m (90.6 to 287.4 ft)
	Recognize	13.8 to 43.8 m (45.3 to 143.7 ft)
	Identify	6.9 to 21.9 m (22.6 to 71.9 ft)

* The listed certifications are issued for markets in different regions. For the current status of the listed certifications in your region, please contact an authorized Starview representative.

ACCESSORIES (OPTIONAL)



Junction Box



Pendant Cap



Pendant Mount



Wall Mount



Wall Mount



Pole Mount



Corner Mount

For technical or sales support, please visit:

www.starviewint.asia

Performance specifications are typical. Due to constant research, specifications are subject to change without notice. For the most up-to-date specifications, please contact an authorized Starview representative.

For assistance with confirming the Jurisdiction & Classification of Starview Asia products, please contact info@starviewint.asia

Copyright © 2025 STARVIEW ASIA. All rights reserved.
Australia Headquarters: Level 40, 140 Williams Street, Melbourne VIC 3000, Australia