

## UV SERIES

LCD Video Wall

### DESCRIPTION

Starview UV Series LCD Video Wall has immediate benefits for Security Room, Retail, Shopping Mall, Corporation, Broadcast, Transportation, Government, Health Care, and more. It is an excellent choice for command & control centers, corporate, AV and digital signage applications.

### Video Walls for Security, Control Rooms, Commercial AV, Professional AV & has immediate benefits for:

In addition, this solution can also be used for corporate AV and Digital Signage applications such as shopping malls, airports, stadiums, lobby signage, boardrooms, and more. Whether small lobby display or extra-large video walls, the tiled Starview UV Series makes statement. Public Display Signage receives 10 times the eye contact of static signage and is creating cost-effective opportunities to improve customer service, safety, way finding, branding, training, and communications. LCD video walls require less power consumption and with auto pixel shift built in they are not subject to permanent, irreversible burn-in. Unlike individual mount LCD's that leave gaps between each monitor, tiled video walls offer more flexibility, scalability and the possibility for a higher resolution.

- Unlike traditional signage or video screens, video walls bring the perfect solution to business for their specific demands. They can be modified to provide the best performance for each unique business environment.
- Starview's video walls have a constant pixel density regardless of the array size; enlarging the array just raise up the overall resolution of the video walls. This means our video walls can project brilliant imagery even when look over at a close distance.



### KEY FEATURES

- Up to 4k resolution
- Brightness 500 nits
- Designed for 24/7 operation
- 25% Haze, 3H
- Auto gamma and HDR calibration
- Slim bezel width of 0.88/1.7 mm
- Landscape & portrait installation support
- VESA mounting interface
- High-definition, bright and seamless visuals with wide viewing angles
- Built-in Daisy Chain Video Wall Controller: With each LCD panel built-in Daisy Chain Video Wall Controller to configure the displays into daisy chains as large as 2x2, 3x3, 4x4 or any array without requiring expensive external graphic cards or video processor. Implement configurations based on daisy chain through the signal loop.

## MAINTAIN CONTINUOUS CONTENT DELIVERY THROUGH A DURABLE, RELIABLE DESIGN

### A pioneering thin design

As video wall configuration expand, the elimination of bordering bezel allows content to flow uninterrupted across multiple screens, resulting in a clearer, and more impactful showcase for featured messages.

### Continuous image quality in any environment

Combined with non-glare panels, Starview's displays can deliver vivid, highly-visible content to audiences under even the strongest light sources.



## Applications



Meeting Room



Control Room



Studio



Retail



Lobby

For technical or sales support, please visit:  
[www.starviewint.asia](http://www.starviewint.asia)

For assistance with confirming the Jurisdiction & Classification of Starview Asia products, please contact [info@starviewint.asia](mailto:info@starviewint.asia)

Copyright © 2025 STARVIEW ASIA. All rights reserved.  
Australia Headquarters: Level 40, 140 Williams Street, Melbourne VIC 3000, Australia

## Technical specifications

## UV SERIES LCD VIDEO WALL

Model	UV4617	UV5517	UV5508	UV6535
Display Technology	LCD			
Active Screen Diagonal	46"	55"	55"	65"
Panel Dimension (W x H, mm)	1018.08 x 572.67	1211.3 x 682.1 (±1.7)	1210.8 x 681.5	1428.48 x 803.52
Total Bezel Width (mm)	1.7	1.7	0.88	3.5
Thermal Expansion Gap Required (mm)	0.4			
Panel Resolution	1920 x 1080 (16:9)	1920 x 1080 (16:9)	1920 x 1080 (16:9)	3840 x 2160 (16:9)
Backlight	Direct-lit LED			
Brightness	500 cd/m <sup>2</sup>			
Contrast Ratio	1200:1			
Viewing Angle (H/V)	178°/178°			
Display Color	10bit, 1.07 billion			
Response Time	8 ms			
Operation Time	24/7			
Lifetime	>50,000 hrs			
Display Orientation	Portrait and Landscape			
Haze Value	-	25%, 3H	25%, 3H	-
Interface	HDMI In: x2 (HDMI 2.0); DP In: x2 (DP 1.2); DP Out: x1 (Daisy Chain, up to 4K input); Audio Out: x1 (3.5mm stereo jack); RS232 In: x1 (RJ45, Common used for IR in); RS232 Out: x1 (RJ45 RJ45, Support IR OUT); USB: x1 (2.0, Firmware update only)			
Control	RS-232 In/Out, RJ-45 LAN, IR Remote			
Control Method	IR Remote & Software control: Setting parameters, display layout on screen			
Power Supply	AC 100 ~ 240V, 50/60 Hz			
Power Consumption	165W (Typ)	240W (Typ)	240W (Typ)	300W (Typ)
Power Consumption (Stand by)	≤0.5W			
Working Temperature	-5°C ~ 45°C	-5°C ~ 55°C	-5°C ~ 55°C	-5°C ~ 45°C
Working Humidity	10 ~ 90% RH non-condensing	5 ~ 90% RH non-condensing	5 ~ 90% RH non-condensing	10 ~ 90% RH non-condensing
Storage Temperature	-20°C ~ 60°C			
Storage Humidity	0 ~ 95% RH non-condensing			
Body Size (mm)	1020.08 x 574.57 x 95.5	1211.3 x 682.1 x 72	1213.5 x 684.3 x 94.39	1432.58 x 807.62 x 115.1
Package Size (mm)	1019.26 x 573.75 x 95.5	1360 x 840 x 240	1360 x 840 x 240	1595.8 x 1000 x 275.8
Set Weight	22.4 kg	27.9 kg	27.9 kg	29 kg
Package Weight	30.4 kg	36.4 kg	36.4 kg	44.2 kg
VESA Mounting (mm)	400 x 400	400 x 400	400 x 400	600 x 400
Additional Components (Option)	<ul style="list-style-type: none"> <li>■ Remote power supply (SA-TD5; SA-TD10; SA-TD20; SA-TD40)</li> <li>■ Video wall processor: NVP, Space X40, Space X5; Support configure, control and manage LCD Video Wall system remotely</li> <li>■ SA-VW600 landscape/portrait capable LCD Video Wall Mount</li> </ul>			

### STARVIEW REMOTE POWER SUPPLY

Model	SA-TD5	SA-TD10	SA-TD20	SA-TD40
Input Voltage	100 ~ 400 VAC @ 50-60Hz			
Power Output	5 KW	10 KW	20 KW	40 KW
Protection Function	With over-current, over-voltage, short-circuit, circuit-break, overload, surge and other protection functions			
Maximum Distance from Video Wall	300 m			

For technical or sales support, please visit:

[www.starviewint.asia](http://www.starviewint.asia)

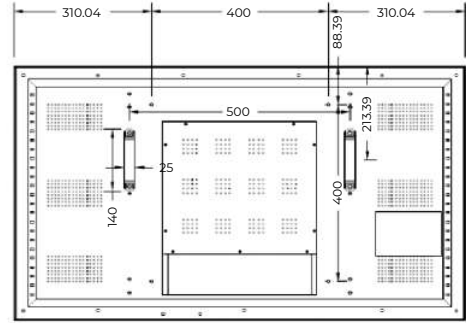
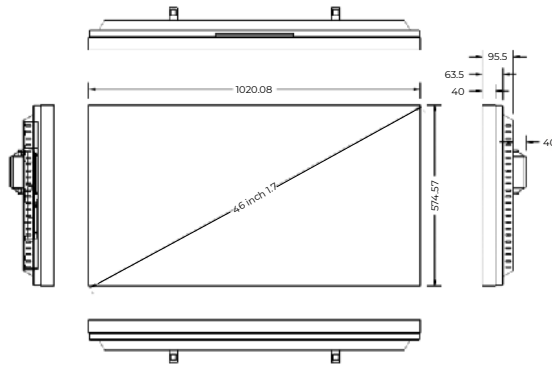
Performance specifications are typical. Due to constant research, specifications are subject to change without notice. For the most up-to-date specifications, please contact an authorized Starview representative.

For assistance with confirming the Jurisdiction & Classification of Starview Asia products, please contact [info@starviewint.asia](mailto:info@starviewint.asia)

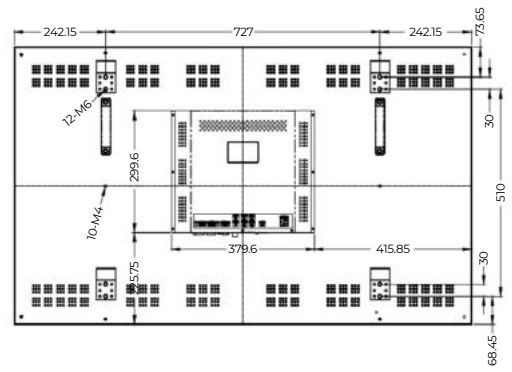
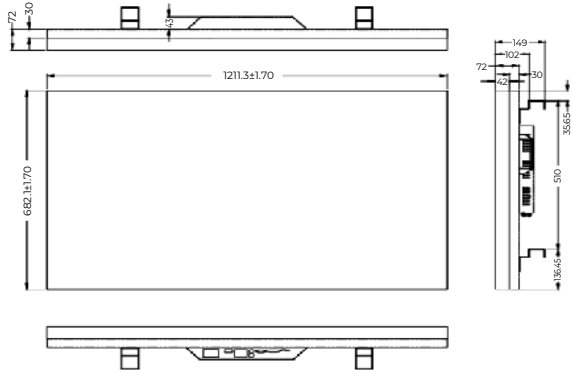
Copyright © 2025 STARVIEW ASIA. All rights reserved.  
Australia Headquarters: Level 40, 140 Williams Street, Melbourne VIC 3000, Australia

# DIMENSIONS

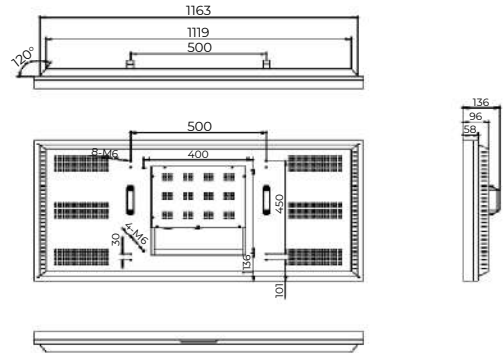
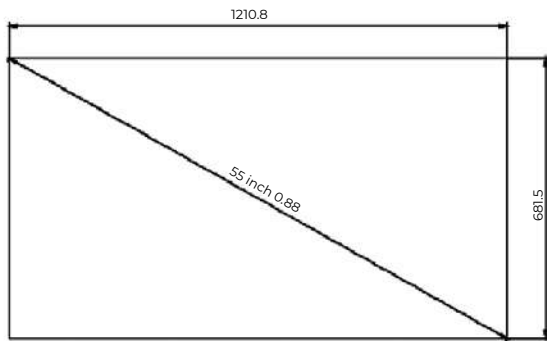
**UV4617**



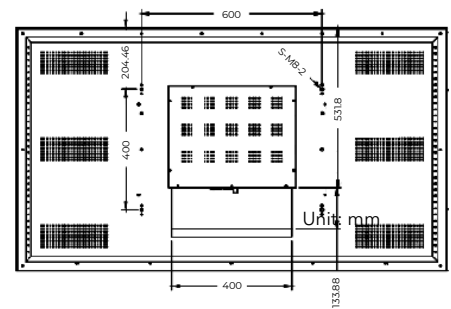
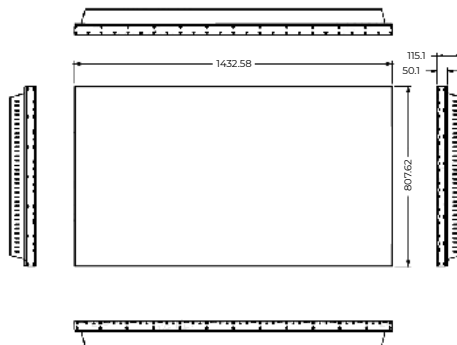
**UV5517**



**UV5508**



**UV6535**



For technical or sales support, please visit:  
[www.starviewint.asia](http://www.starviewint.asia)

For assistance with confirming the Jurisdiction & Classification of Starview Asia products, please contact  
[info@starviewint.asia](mailto:info@starviewint.asia)

Copyright © 2025 STARVIEW ASIA. All rights reserved.  
 Australia Headquarters: Level 40, 140 Williams Street, Melbourne VIC 3000, Australia