

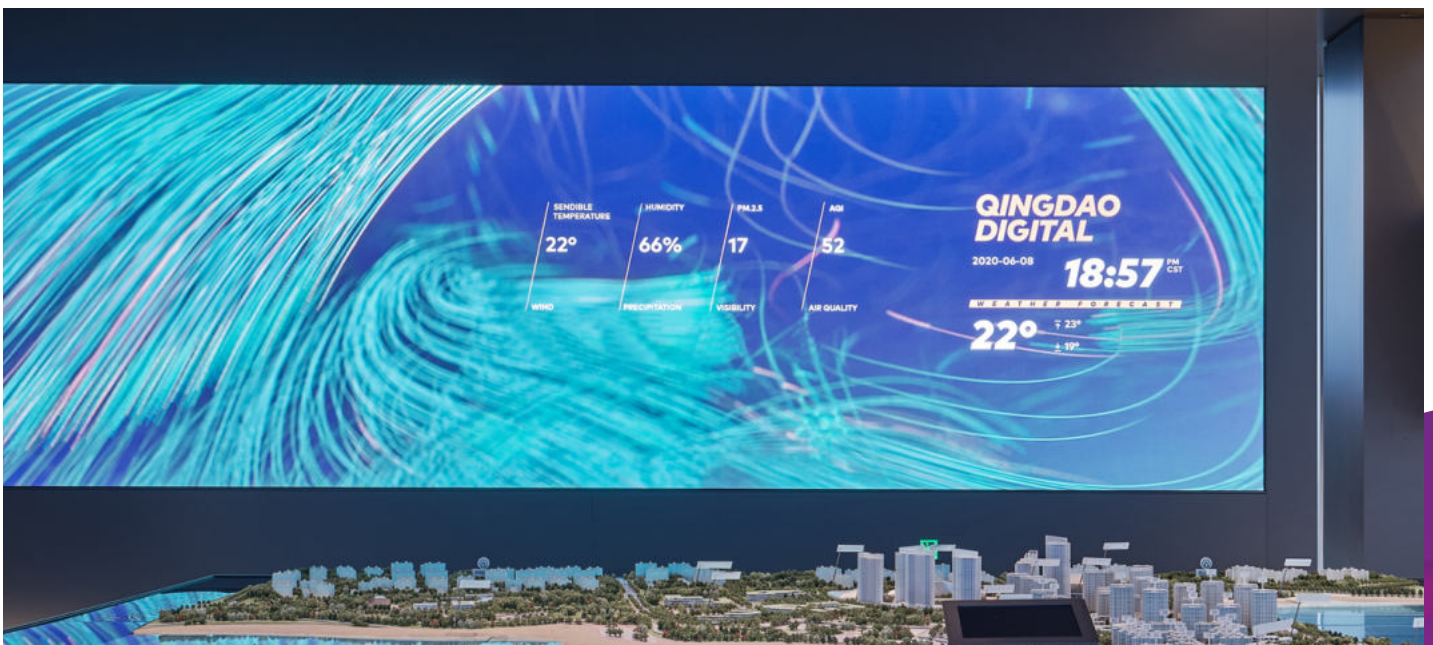
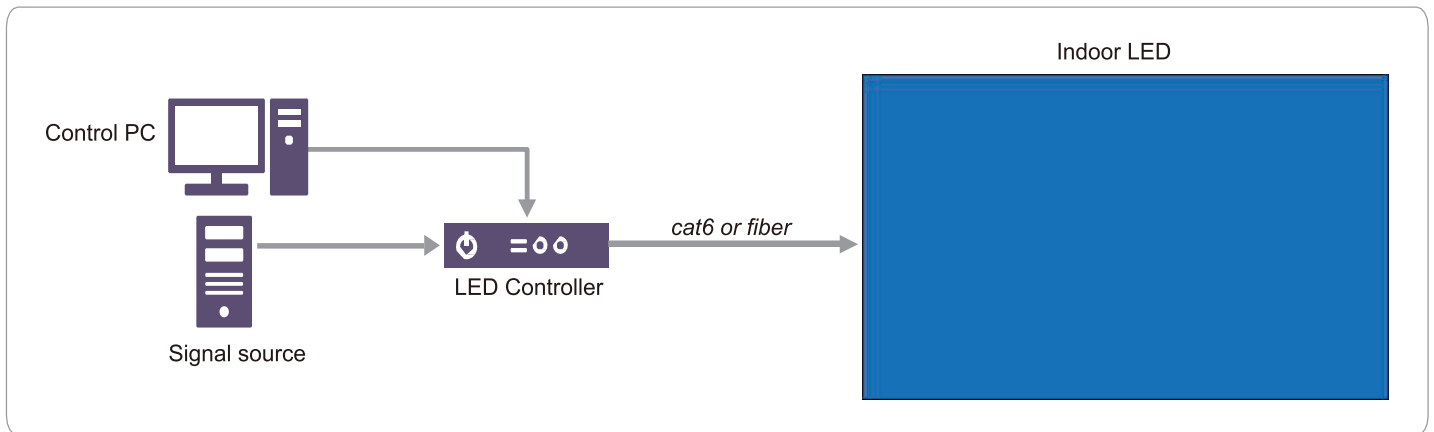
# SVL-C SERIES

INDOOR LED VIDEO WALL

## DESCRIPTION

The Starview SVL-C series panels feature a lightweight die-cast aluminium frame and high brightness LEDs, delivering great visual performance in any light condition. Feature a lightweight die-cast aluminum frame and high brightness LEDs, delivering great visual performance in any light condition. The Starview SVL-C series is light weight and easy to handle enabling it to be an attractive solution for hanging video walls or traditional video walls favoring a compact fine pitch solution.

## LED SYSTEM DIAGRAM



## Technical specifications

## SVL-C SERIES INDOOR

Model	SVL-C1.25	SVL-C1.53	SVL-C1.667	SVL-C1.86	SVL-C2	SVL-C2.5
Pixel Configuration	SMD1010, RGB 3-in-1	SMD1212, RGB 3-in-1	SMD1212, RGB 3-in-1	SMD1515, RGB 3-in-1	SMD2020, RGB 3-in-1	SMD2020, RGB 3-in-1
Pixel Pitch	1.25 mm	1.53 mm	1.667 mm	1.86 mm	2 mm	2.5 mm
Chip of LED	Kinglight LED With Copper Wire	Kinglight LED With Copper Wire	Kinglight LED With Copper Wire	Kinglight LED	Kinglight LED With Copper Wire (SMD led supplier)	Kinglight LED With Copper Wire
Pixel Density	640,000 pixels/m <sup>2</sup>	422,500 pixels/m <sup>2</sup>	360,000 pixels/m <sup>2</sup>	288,906 pixels/m <sup>2</sup>	250,000 pixels/m <sup>2</sup>	160,000 pixels/m <sup>2</sup>
Module Size (W x H)	320 x 160 mm	320 x 160 mm	320 x 160 mm	320 x 160 mm	320 x 160 mm	320 x 160 mm
LED Cabinet Size (W x H)	640 x 480 mm	640 x 480 mm	640 x 480 mm	640 x 480 mm	640 x 480 mm	640 x 480 mm
Cabinet Design	Die-cast Aluminum Hanging Rental cabinet					
Cabinet Resolution	512 x 384 pixels	416 x 312 pixels	384 x 288 pixels	344 x 258 pixels	320 x 240 pixels	256 x 192 pixels
Maximum Power	580 W/m <sup>2</sup>	690 W/m <sup>2</sup>	680 W/m <sup>2</sup>	660 W/m <sup>2</sup>	660 W/m <sup>2</sup>	650 W/m <sup>2</sup>
Average Power	208 W/m <sup>2</sup>	260 W/m <sup>2</sup>	270 W/m <sup>2</sup>	258 W/m <sup>2</sup>	258 W/m <sup>2</sup>	210 W/m <sup>2</sup>
Scan Mode	1/64 static	1/52 static	1/48 static	1/43 static	1/32 static	1/32 static
Driver IC	FM6353 IC	FM6353 IC	FM6353 IC	FM6353 IC	FM6353 IC	2153 IC
Gray Scale	16,384 Shades Per Color	16,384 Shades Per Color	16,384 Shades Per Color	16,384 Shades Per Color	16,384 Shades Per Color	16,384 Shades Per Color
Brightness	550 - 680 cd/m <sup>2</sup>	>600 - 800 cd/m <sup>2</sup>	>600 - 800 cd/m <sup>2</sup>	>600 - 800 cd/m <sup>2</sup>	>600 - 800 cd/m <sup>2</sup>	>1100 cd/m <sup>2</sup>
Brightness Adjustable	Manual: 256 level; Auto: 8 levels	Manual: 256 level; Auto: 8 levels	Manual: 256 level; Auto: 8 levels	Manual: 256 level; Auto: 8 levels	Manual: 256 level; Auto: 8 levels	Manual: 256 level; Auto: 8 levels
Contrast Ratio	5000:1	5000:1	3000:1	5000:1	3000:1	5000:1
Refresh Rate (Adjustable)	3480 Hz	3480 Hz	3480 Hz	3480 Hz	3480 Hz	3480 Hz
Display Colors	16.8 millions	16.8 millions	10 bit	16.8 millions	10 bit	10 bit
Color Temperature (Adjustable)	6500K ± 500	6500K ± 500	3000 - 12000K	6500K ± 500	3000 - 12000K	6500K ± 500
Viewing Angle (H/V)	140°H / 140°V	140°H / 140°V	140°H / 140°V	140°H / 140°V	140°H / 140°V	140°H / 140°V
Service Access	Front or Rear	Front or Rear	Front or Rear	Front or Rear	Front or Rear	Front or Rear
LED Lifetime	> 100,000hrs	> 100,000hrs	> 100,000hrs	> 100,000hrs	> 100,000hrs	> 100,000hrs
Frame Rate	> 60 frames/sec	> 60 frames/sec	> 60 frames/sec	> 60 frames/sec	> 60 frames/sec	> 60 frames/sec
Defect Rate	≤ 0.0002	≤ 0.0002	≤ 0.0002	≤ 0.0002	≤ 0.0002	≤ 0.0002
Protection	IP33	IP33	IP33	IP33	IP33	IP33
Line Voltage	AC110V/ 220V/ 380V ±10% @ 50/60Hz	AC110V/ 220V/ 380V ±10% @ 50/60Hz	AC110V/ 220V/ 380V ±10% @ 50/60Hz	AC110V/ 220V/ 380V ±10% @ 50/60Hz	AC110V/ 220V/ 380V ±10% @ 50/60Hz	AC110V/ 220V/ 380V ±10% @ 50/60Hz
Operating Temperature	30° to 60°C	30° to 60°C	30° to 60°C	30° to 60°C	30° to 60°C	30° to 60°C
Operating Humidity	10% ~ 95%RH	10% ~ 95%RH	10% ~ 95%RH	10% ~ 95%RH	10% ~ 95%RH	10% ~ 95%RH
Weight	7.68 kg/cabinet	7.68 kg/cabinet	7.68 kg/cabinet	7.68 kg/cabinet	7.68 kg/cabinet	7.68 kg/cabinet
Control Distance	120m (CAT6); Optical fiber: 500m - 10km	120m (CAT6); Optical fiber: 500m - 10km	120m (CAT6); Optical fiber: 500m - 10km	120m (CAT6); Optical fiber: 500m - 10km	120m (CAT6); Optical fiber: 500m - 10km	120m (CAT6); Optical fiber: 500m - 10km
Best View Distancing	1.25 - 200m	1.53 - 200m	1.667 - 200m	1.86 - 200m	2 - 200m	2.5 - 200m

For technical or sales support, please visit:

[www.starviewint.asia](http://www.starviewint.asia)

*Performance specifications are typical. Due to constant research, specifications are subject to change without notice. For the most up-to-date specifications, please contact an authorized Starview representative.*

For assistance with confirming the Jurisdiction & Classification of Starview Asia products, please contact [info@starviewint.asia](mailto:info@starviewint.asia)

Copyright © 2025 STARVIEW ASIA. All rights reserved.  
Australia Headquarters: Level 40, 140 Williams Street, Melbourne VIC 3000, Australia