



KEY FEATURES

- UP TO 2MP REAL TIME STREAM
- HIGH DEFINITION AND SMOOTH IMAGE 60FPS OPTICAL, 30FPS THERMAL
- STARLIGHT SENSOR FEATURE
- OPTICAL ZOOM UP TO 60X
- LASER ADJUSTABLE TO ZOOM RATIO
- HIGH SENSITIVITY THERMAL SENSOR
- DAY VIEW UP TO 10KM NIGHT 5KM
- H.265, H.264 AND MJPEG CODEC
- ULTRA LOW ILLUMINATION SUPPORT
- TRUE ULTRA WDR HDR EXPOSURE
- HLC FEATURE SUPPORT
- MULTI STREAM SUPPORT
- PROTECTION RATE IP67
- SD CARD STORAGE SUPPORT
- STRONG PT STRUCTURE WITH SMOOTH MOVEMENTS EVEN WITH A 100KG CARRY-ON LOAD
- OPTICAL DEFOG FEATURE
- AR AND AF GLASS
- ANTI SHAKE GYROSCOPIC
- NDAA COMPLIANCE¹

SPECIFICATIONS

THERMAL MODULE	
IMAGE SENSOR	Vanadium Oxide Uncooled Focal Plane Arrays
PIXELS	800 x 600
LENS	15 ~ 150mm, 10x thermal
PIXEL INTERVAL	17µm
NETD	<40mk (@25°C, F#=1.0)
RESPONSE WAVEBAND	8µm ~ 14µm
COLOR MODE	Up to 9 modes
VISUAL MODULE	
IMAGE SENSOR	1/1.8" Progressive Scan CMOS
PIXEL	2MP, 1920 x 1080 Pixels
MIN. ILLUMINATION	Color 0.005Lux @ (F3.0, AGC On), BW 0.0005Lux @ (F3.0, AGC On), 0 Lux with Laser
SHUTTER SPEED	1 ~ 1/30,000s
DAY/NIGHT	Auto (ICR)/ Color / BW
DYNAMIC RANGE	True Ultra WDR ≥120dB, HDR Exposure
S/N RATIO	>57dB
GAIN CONTROL	Auto / Manual
BACKLIGHT COMPENSATION	Off / WDR / BLC / HLC
FOCAL LENGTH	16.7 ~ 1000mm, 60x optical
ZOOM SPEED	Approx 3 ~ 10s (Optical)
VIEW ANGLE	28.43° ~ 0.29° (Wide ~ Tele)
MIN. OBJECT DISTANCE	5000mm (W)
MAX APERTURE RATIO	F3.5(W), F16 (T)

FOCUS CONTROL	Auto / Manual / Semi-Manual
AUTO BACK FOCUS	Auto
OPTICAL DEFOG	Support
LASER	
WAVE LENGTH	808nm
POWER CONSUMPTION	25W
LASER DISTANCE	5Km
LASER INTENSITY	Automatically adjust according to zoom ratio
ILLUMINATING ANGLE	0.3 ~ 30 continuous change
VISION DISTANCE	Day 10km; Night 5Km
PT RANGE	
PAN RANGE	360° Endless
TILT RANGE	-60° ~ 60° (Auto Flip)
PAN/TILT SPEED	Pan manual speed: 0.01° ~ 180°/s; Pan preset speed: 180°/s Tilt manual speed: 0.01° ~ 90°/s; Tilt preset speed: 90°/s
PROPORTIONAL ZOOM	Pan / Tilt speed can be adjusted automatically according to zoom multiples
PRESET	256
PATROL	8 Patrols scheme, up to 32 presets per patrol
POWER-OFF MEMORY	Power-off memory / Power-on recovery
AUTO GUARD	Path / Preset / Pan scan
PT LIMIT	Manual / Scan / Pan
3D POSITIONING	PTZ control with mouse click and drag
ELECTRONIC COMPASS	Built in O-Sensor
GPS	Support built in



SA-ZT2060-W60T10

DUAL SPECTRUM LONG RANGE LASER 60X INDUSTRIAL PTZ IP CAMERA

SPECIFICATIONS, CONT.

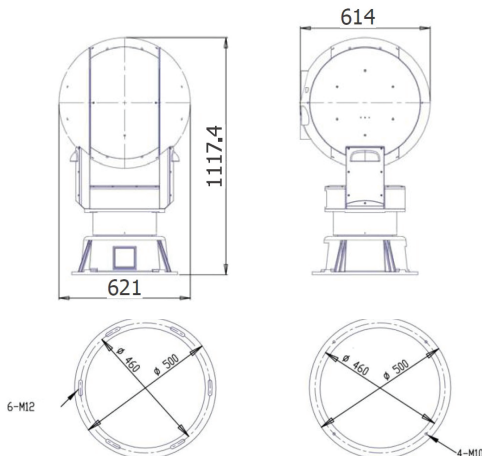
VIDEO	
COMPRESSION	H.265 / H.264 / MJPEG
FRAME RATE	Main stream: Visual 1080p @60fps, Thermal 800 x 600@30fps Secondary stream: D1@30fps
BITRATE	32kbps ~ 16Mbps
BITRATE CONTROL	VBR / CBR
MULTI-STREAM	Supported
CAPTION	Date and time / Alarm / Direction / Customized
PRIVACY MASKING	Up to 4 zones
MOTION DETECTION	Up to 4 zones
VIDEO FREEZE	Supported
ROI	Supported
DIGITAL NOISE REDUCTION	3D noise reduction
IMAGE FLIP	Mirror
AUDIO	
COMPRESSION	G.711a / G.711u / ADPCM / G.722 / G.722.1c / G.726
BITRATE	32kbps ~ 64kbps
AUDIO FUNCTION	Bi-directional audio / AEC / Mixed audio recording / Dumb / Mute
NETWORK	
NETWORK PROTOCOLS	TCP/IP, UDP, HTTP, DHCP, DNS/DDNS, RTP/RTCP, RTSP, PPPoE, FTP, VSIP, UPnP, 802.1x, NAT, QoS, SMTP, IPv4, IPv6
USER INTERFACE	IE, Firefox, Chrome
MAX. USER ACCESS	Max. 10 Users (includes 2 internal)
OPEN PLATFORM	ONVIF (Profile S, Profile G, Profile T), API, CGI
ANR	Automatic Network Replenishment Supported
ALARM	
ALARM TRIGGERS	Alarm input / Network disconnect / Disk full / Disk error
ANALYTICS	Motion detection / Tampering / Guard line / Enter guard area / Exit guard Area / Object Left / Object Removal Gathering / Audio Surge

DEEP ENGINE ANALYTICS	Human / Vehicle target filtering: Human Detection, Non-motor / motorcycle Vehicle Detection, Vessel Detection, Fire / Smoke Detection, Object Tracking
ALARM EVENTS	Alarm report / Recording / Text overlay / Snapshot / External output / Email notice / Acoustic alarm
INTERFACE	
ETHERNET	10/100M, RJ45 interface
AUDIO IN / OUT	1 x Line in / 1 x Line out
ALARM IN / OUT	4 x Input / 2 x Output
MEMORY SLOT	Built-in SD Card slot, support up to 256GB (SD Card Not Included)
GENERAL	
ANTI SHAKE	Gyroscopic stabilization
OPERATING TEMPERATURE	-40°C ~ 60°C / -40°F ~ 140°F
OPERATING HUMIDITY	10% ~ 95%
HOUSING GLASS	Support AR and AF Glass
PROTECTION LEVEL	IP67, TVS 6000V lightning protection, surge protection and voltage transient protection, corrosion prevention Unit
POWER	48V DC ± 25% (Power adapter Included)
POWER CONSUMPTION	Max 180W (Laser on)
WEIGHT	150 kg / 330.69 lb (Gross Weight)
DIMENSIONS	614 x 621 × 1117.4mm / 24.17" x 24.45" x 43.99"
INSTALLATION	Foot Mounting
APPROVAL ²	CE, FCC
SHOCK	10g vertical /5g horizontal
VIBRATION	IEC60945
WIND	100 knots (115.2 MPH)

¹ Available in NDAA-compliant options.

² The listed certifications are issued for markets in different regions. For the current status of the listed certifications in your region, please contact an authorized Starview representative.

DIMENSIONS MM



DRI

THERMAL METRIC* PERSON (1.8 X 0.5M)	WHEN ZOOMING TO 150MM
DETECTION	~10 Km
RECOGNITION	~3 Km
IDENTIFICATION	~1.3 Km

*DRI distances are calculation and is for reference only performance may vary depending on the environment.

For technical or sales support, please visit:
www.starviewtech.net

Performance specifications are typical. Due to constant research, specifications are subject to change without notice. For the most up-to-date specifications, please contact an authorized Starview representative.

For assistance with confirming the Jurisdiction & Classification of Starview Technology products, please contact sales@starviewint.com

Copyright © 2025 Starview Technologies Private Limited. All rights reserved.
Singapore Headquarters: 60 Kaki Bukit Place, #05-19 Eunos Techpark, Singapore 415979