



KEY FEATURES

- PROFESSIONAL-GRADE GYROSCOPE STABILIZATION
- BI-SPECTRUM VISUAL AND THERMAL PTZ
- 4K ULTRA HD REAL TIME STREAM 30FPS VISUAL LENS
- OPTICAL ZOOM VISUAL LENS UP TO 50X
- THERMAL HIGH SENSITIVE MODULE 640 X 512
- FIXED LENS THERMAL 75MM
- LASER UP TO 1.5KM DISTANCE
- ULTRA LOW ILLUMINATION SUPPORT
- TRUE ULTRA WDR FEATURE SUPPORT
- HLC FEATURE SUPPORT
- MULTI STREAM SUPPORT
- PROTECTION RATE IP67
- SD CARD STORAGE SUPPORT
- HIGH SPEED ROTATION UNIT
- EXCEPTIONAL ANTI-SHAKE PERFORMANCE
- ANTI CORRISON UNIT
- SUITABLE FOR MARINE APPLICATIONS
- NDAA COMPLIANCE¹

SPECIFICATIONS

THERMAL	
IMAGE SENSOR	Vanadium Oxide Uncooled Focal Plane Arrays
RESOLUTION	640 x 512
LENS	75mm Fixed Lens
DETECTOR PITCH	12µm
RESPOND WAVEBAND	8µm ~ 14µm
COLOR PALETTES	Different Modes Support
VISUAL LENS	
IMAGE SENSOR	1/1.8" Progressive Scan CMOS
RESOLUTION	3840 x 2160, 8MP
MIN. ILLUMINATION	Color: 0.001lux @ (F1.8, AGC On) / BW: 0.0001 @ (F1.8, AGC On)
SHUTTER SPEED	1 ~ 1/30,000s
DAY/NIGHT	Auto (ICR)/ Color / BW
WIDE DYNAMIC RANGE	True Ultra WDR ≥120dB
FOCAL LENGTH	6 ~ 300mm, 50x Optical Zoom, 16x Digital Zoom
FOCUS CONTROL	Auto / Manual / Semi-Automatic
FOV	Horizontal: 4.2° ~ 1.0°
S/N RATIO	>55dB
WHITE BALANCE	Auto / Manual
GAIN	Auto / Manual
BACKLIGHT	Off / WDR / BLC / HLC
NIGHT LASER	
LASER DISTANCE	Up to 1500 Meter

PT RANGE	
PAN RANGE	360° Endless
TILT RANGE	-90° ~ 90° (Auto Flip)
PAN SPEED	Pan manual speed: 0.05° ~ 400°/s
TILT SPEED	Tilt manual speed: 0.05° ~ 200°/s
PROPORTIONAL ZOOM	Pan / Tilt speed can be adjusted automatically according to zoom multiples
PRESET	256
PATROL	8 Patrols scheme, up to 32 presets per patrol
PATTERN SCAN	4 Scan paths, each path can record 10 minutes of operation path
POWER-OFF MEMORY	Power-off memory / Power-on recovery
WATCH GUARD	Support
PT LIMIT	Manual / Scan / Pan
3D POSITIONING	PTZ control with mouse click and drag
WIPER	Supported
VIDEO	
COMPRESSION	H.265 / H.264 / MJPEG
FRAME RATE	Main stream: 3840 x 2160@30fps, Secondary stream: 720p@30fps
BITRATE	32kbps ~ 16Mbps
BITRATE CONTROL	VBR / CBR
MULTI-STREAM	Support, triple stream
CAPTION	Date and time / Alarm / Direction / Customized
PRIVACY MASKING	Up to 4 zones
MOTION DETECTION	Up to 4 zones
ROI	Supported



SA-ZN8030-W50H

DUAL LENS VISUAL AND THERMAL PTZ IP CAMERA

SPECIFICATIONS, CONT.

DIGITAL NOISE REDUCTION	3D noise reduction
DIGITAL DEFOG	Supported
INTELLIGENT FUNCTIONS	
GENERAL EVENTS	Motion detection / Tampering / Guard line / Enter guard area / Exit guard Area / Object Left
INTELLIGENT DETECTION	Face detection, license plate detection, ship detection, fire point alarm
AUDIO	
COMPRESSION	G.711a / G.711u / ADPCM / G.722 / AAC-LC
BITRATE	32kbps ~ 64kbps
AUDIO FUNCTION	Bi-directional audio / AEC / Mixed audio recording / Mute
NETWORK	
NETWORK PROTOCOLS	TCP/IP, UDP, HTTP, DHCP, DNS/DDNS, RTP/RTCP, RTSP, PPPoE, FTP, VSIP, UPnP, 802.1x, NAT, QoS, SMTP, IPv4, IPv6 (optional)
USER INTERFACE	IE, Firefox, Chrome
MAX. USER ACCESS	Max. 10 Users (includes 2 internal)
OPEN PROTOCOL	ONVIF (Profile S, Profile G, Profile T), SDK
ANR	Automatic Network Replenishment Supported
SYSTEM	
ALARM TRIGGERS	Alarm input / Network disconnect / Disk full / Disk error
ALARM LINKAGE	Support
SYSTEM RECOVERY	Support
HEART BEAT FUNCTION	Support
SECURITY	Multilevel user management and custom permissions, IEEE 802.1x network access control, anonymous access, black and white list, IP address filtering, etc
INTERFACE	
ETHERNET	10/100M, RJ45 interface
AUDIO IN / OUT	1 x Line in / 1 x Line out

ALARM IN / OUT	1 x Input / 1 x Output
POWER INTERFACE	1x DC24V terminal Cable
MEMORY SLOT	2x Built-in SD Card , support up to 128GB
GENERAL	
ANTI SHAKE	Support gyroscope stabilization, accuracy of 0.1°, The maximum carrier follow speed of 100° / second
OPERATING TEMPERATURE	-40°C ~ 70°C / -40°F ~ 158°F
OPERATING HUMIDITY	10% ~ 95%
PROTECTION LEVEL	IP67, corrosion prevention, TVS 6000V lightning protection, surge protection and voltage transient protection
POWER	24V AC
POWER CONSUMPTION	Max. 60W (Laser on)
WEIGHT	15 kg / 33 lb (Gross Weight)
DIMENSIONS	φ446 × 446mm (φ17.5" × 17.5")
INSTALLATION	Foot Mounting
APPROVAL ²	CE, FCC
SHOCK	10g vertical /5g horizontal
VIBRATION	IEC60945
WIND	100 knots (115.2 MPH)

¹ Available in NDAA-compliant options.

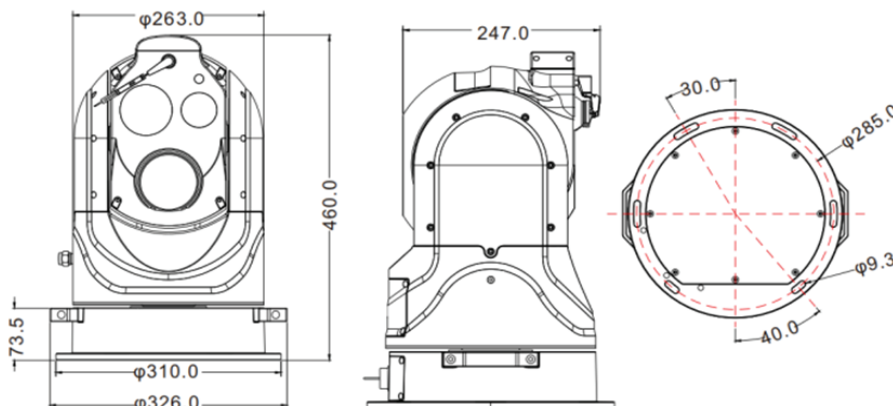
² The listed certifications are issued for markets in different regions. For the current status of the listed certifications in your region, please contact an authorized Starview representative.

DRI

LENS THERMAL	DETECTION	RECOGNITION	IDENTIFY
HUMAN	2.2km	0.55km	0.27km
VEHICLE	10km	2.5km	1.26km

*DRI distances are calculation and is for reference only performance may vary depending on the environment.

DIMENSIONS MM



For technical or sales support, please visit:
www.starviewtech.net

Performance specifications are typical. Due to constant research, specifications are subject to change without notice. For the most up-to-date specifications, please contact an authorized Starview representative.

For assistance with confirming the Jurisdiction & Classification of Starview Technology products, please contact sales@starviewint.com

Copyright © 2025 Starview Technologies Private Limited. All rights reserved.
 Singapore Headquarters: 60 Kaki Bukit Place, #05-19 Eunos Techpark, Singapore 415979