



### KEY FEATURES

- FOUR 5MP 1/2.8" STARVIS CMOS IMAGE SENSOR
- 4 ADJUSTABLE LENSES IN ONE CAMERA, EACH LENS UP TO 5 MP (2592 × 1944) @25/30 FPS
- 2.7 TO 13.5 MM MOTORIZED LENS
- TRUE WDR, 3D DNR, ROI, HLC, BLC, DEFOG
- SUPPORT FACE, HUMAN, VEHICLE DETECTION
- INTELLIGENT ANALYTICS: INTRUSION, SINGLE LINE CROSSING, DOUBLE LINE CROSSING, LOITERING, WRONG-WAY, ILLEGAL PARKING, PEOPLE COUNTING AND SMART MOTION DETECTION
- 1/1 AUDIO IN/OUT, 4/2 ALARM IN/OUT
- BUILT-IN MICROPHONE AND SD CARD SLOT
- SMART IR DISTANCE UP TO 30M
- IP67, IK10

### SPECIFICATIONS

CAMERA	
Image Sensor	4 × 1/2.8" Progressive Scan CMOS
Max. Resolution	5MP (2592×1944)
Electronic Shutter	Auto/Manual, 1/5 to 1/20,000s
Min. illumination	Color: 0.005 Lux @ (F1.6, AGC ON), B/W: 0 Lux with IR
Day & Night	IR cut filter
IR Distance	Up to 30 m (98.4 ft.)
IR On/Off Control	Auto/Manual
Angle Adjustment	Pan: 0° to 360°, Tilt: 0° to 130°, Rotation: 0° to 355°
LENS	
Lens Type	Motorized focus
Iris	DC- Iris
Focal Length	2.7 to 13.5 mm
F Number	F1.6
Angle of View	H: 95.6° to 26.9°, V: 65.4° to 20.5°
VIDEO	
Streaming Capability	3 Streams
Stream/Frame Rate	Stream1: 2592×1944, 2592×1520, 1920×1080, 1280×720 @ 25/30fps Stream2: D1, VGA, CIF @ 25/30fps Stream3: VGA, CIF, QVGA @25/30fps
Bit Rate Control	CBR/VBR
Bit Rate	Stream1: 500kbps~12Mbps Stream2: 100kbps~6Mbps Stream3: 100kbps~3Mbps
Region of Interest	Off/On (8 areas, Rectangle)

IMAGE	
Image Adjustment	Brightness, Sharpness, Contrast, Saturation adjustable
Aisle Mode	Support
Mirror	Support
White Balance	Auto/Manual
Day/Night Setting	Auto, Day, Night, Time
Smart IR	Support
Noise Reduction	2D/3D DNR
Image Enhancement	HLC, BLC, Defog
Wide Dynamic Range	True WDR
S/N Ratio	55dB
Motion Detection	Support
Privacy Masking	4 areas
SMART FUNCTION	
Multi-Object Detection	Supports face, human, vehicle detection
Intelligent Analytics	Intrusion, Single line crossing, Double line crossing, Loitering, Wrong-way, Illegal parking and Smart motion detection Support alarm triggering by specified target types (human and vehicle)
People Counting	Support
Basic Events	Disk alarm, Network alarm, I/O alarm, Motion detection alarm, Abnormal sound detection
AUDIO	
Compression	G.711, RAW_PCM
Bit Rate	8Kbps, 16Kps, 64Kbps



# SA-M2058R-Z

## 4x 5MP 4-DIRECTIONAL MULTI-SENSOR NETWORK CAMERA

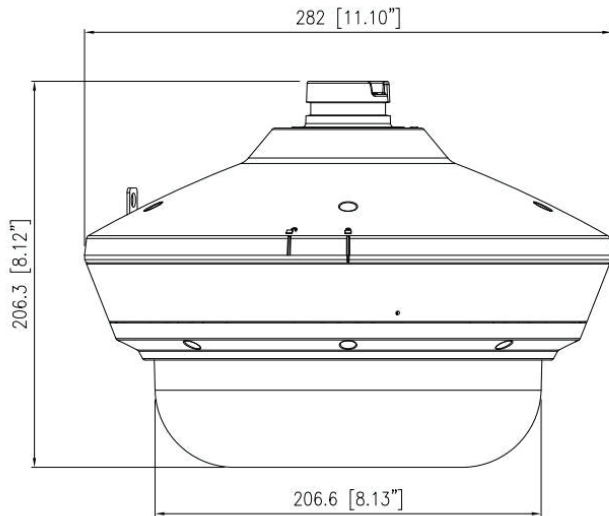
### SPECIFICATIONS, CONT.

NETWORK	
Protocols	IPv4/IPv6, RTSP/ RTCP/RTP, TCP/UDP, HTTPS, DHCP, DNS, DDNS, PPPoE, UPnP, ICMP, IGMP, FTP, NTP, SMTP, 802.1x, SNMP
Interoperability	ONVIF, SDK, CGI
Streaming Method	Multicast
Max. User Access	10 Users
Web Viewer	<IE11, Chrome, Firefox, Microsoft Edge
Language	English, Chinese, Polish, Italian, Portuguese, Spanish, Russian, French, Czech, Hungarian. Default: English
INTERFACE	
Network Interface	1 Ethernet (10/100 Base-T) RJ-45 Connector
Built-in Microphone	Support
Audio Interface	1ch Input, 1ch Output
Alarm Interface	4ch Input, 2ch Output
CVBS Interface	Support
Reset Button	Support (Built-in)
SD Card Slot	Built-in, up to 256GB

ELECTRICAL	
Power Supply	DC12V (-15% to +25%)/PoE (IEEE 802.3af)
Power Consumption	Max 22W
Operating Temperature	-30°C to 60°C (-22°F to 140°F)
Operating Humidity	Less than 90% RH
Ingress Protection	IP67, IK10
Certifications <sup>1</sup>	CE/FCC
Casing	Metal + Plastic
Net Weight	Φ282 × 206.3 mm (Φ11.1 × 8.12)

<sup>1</sup> The listed certifications are issued for markets in different regions. For the current status of the listed certifications in your region, please contact an authorized Starview representative.

### DIMENSIONS MM



For technical or sales support, please visit:  
[www.starviewtech.net](http://www.starviewtech.net)

Performance specifications are typical. Due to constant research, specifications are subject to change without notice. For the most up-to-date specifications, please contact an authorized Starview representative.

For assistance with confirming the Jurisdiction & Classification of Starview Technology products, please contact [sales@starviewint.com](mailto:sales@starviewint.com)

Copyright © 2025 Starview Technologies Private Limited. All rights reserved.  
Singapore Headquarters: 60 Kaki Bukit Place, #05-19 Eunos Techpark, Singapore 415979