

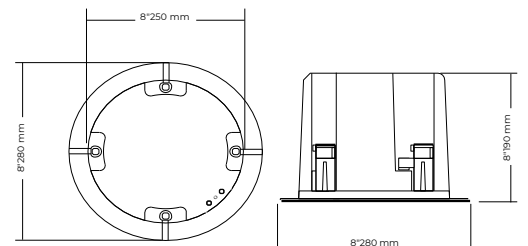
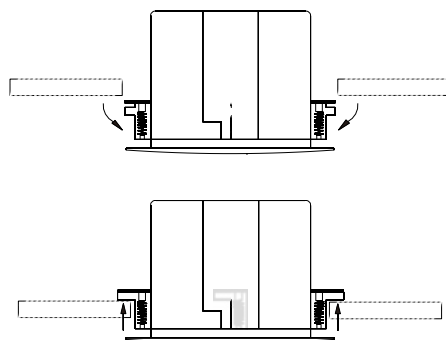


DESCRIPTION

Starview CS-40 is a ceiling speaker built-in 70v/100v transformer. The 70v/100v transformer technique reduces line losses on longer distance and allows easy parallel connection of multiple loudspeakers. The built-in 6.5"+1.5" coaxial speaker driver is designed of wide frequency response 80-20kHz, and rated power output is 40W. The metal grille, ABS baffle and ABS back cover are painted in attractive white color. Its flush mount type makes the easy and secure installation. It is ideal choice for industrial and commercial applications in hotel, school, office and factory where background music and paging is needed.

KEY FEATURES

- Built-in 100v/70v transformer
- In-ceiling type loudspeaker
- 6.5" +1.5" coaxial speaker unit
- Power output RMS 40W @100V
- Built-in crossover for hi-fi level use
- Metal grille, ABS baffle & ABS back cover
- Paint in white color
- Secure flush mount installation

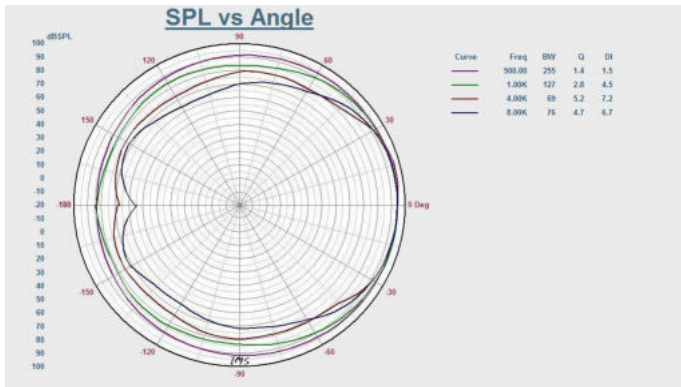


Website: www.starviewtech.asia or www.starviewtech.net | Email: sales@starviewint.com | Tell: +65 31575338

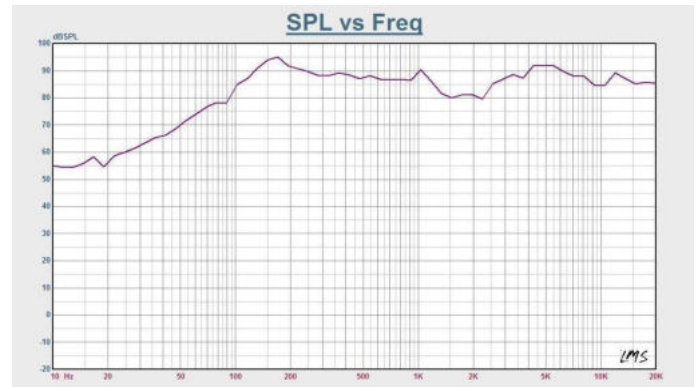
SPECIFICATION

STARVIEW CS-40 CEILING SPEAKER SPECIFICATIONS

Model	CS-40
Power Taps @100V	40W
Power Taps @70V	20W
Impedance	Black: Com; Red: 250Ω
SPL (1W/1M)	92dB ± 3dB
Max. SPL (Rated W/1M)	108dB
Frequency Response (-10dB)	80Hz - 20KHz
Finish	Baffle: ABS, White; Grille: Steel, White
Speaker Driver	6.5" x 1; 1.5" x 1
Cutout Size	250mm
Dimensions	280 x 190mm
Weight	2.7Kg
Mounting	Flush-mount dog ears
Operating Temperature	0°C ~ 40°C
Operating Humidity	10% ~ 90%RH (Non-condensing)
Storage Temperature	0°C ~ 40°C
Storage Humidity	10% ~ 90%RH (Non-condensing)



Direction Diagram



Frequency Response