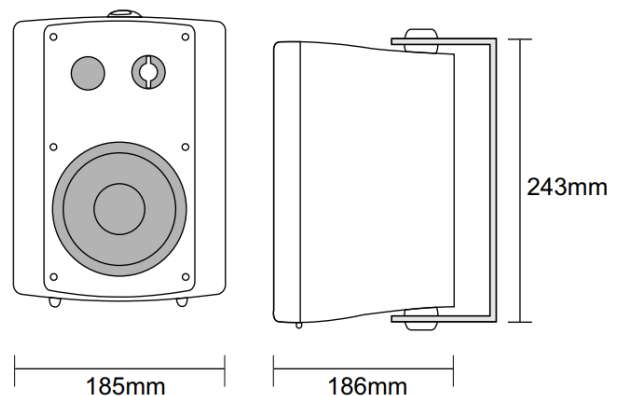




The Starview MS-30P is a wall mount speaker built-in 70v/100v transformer. The 70v/100v transformer technique reduces line losses on longer distance and allows easy parallel connection of multiple loudspeakers. The built-in 5"+1.5" two ways speaker driver is designed of wide frequency response 125-14kHz, the multiple power taps 3.75W, 7.5W, 15W & 30W are helpful for different applications varies from room size and ambient noise surroundings. The metal grille, ABS enclosure and stainless mounting bracket are of black color. Easy and secure wall mount installation through the supplied mounting kit. It is ideal choice for industrial and commercial applications in hotel, school, office and factory where background music and paging is needed.

### Feature

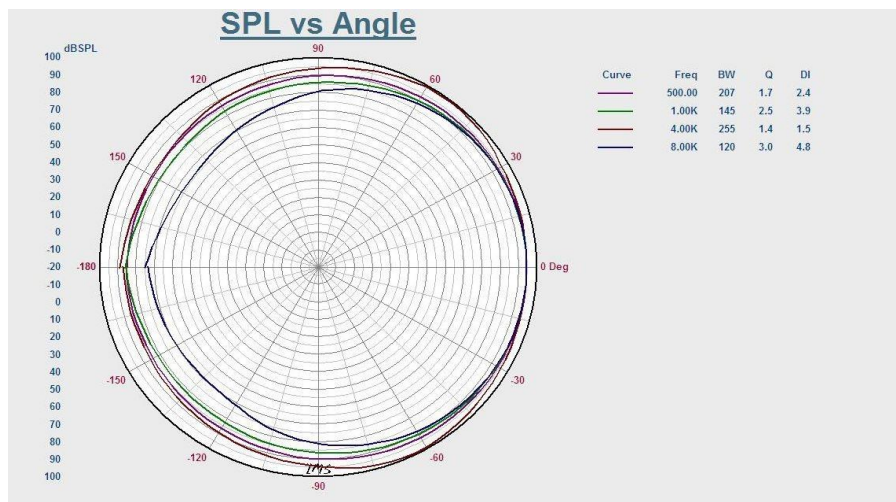
- Built-in 100v/70v transformer
- Wall mount type loudspeaker
- 5" +1.5" two ways speaker unit
- Power taps 3.75w-7.5w-15w-30w @100V plus 8ohm
- Metal grille, ABS enclosure and stainless mounting bracket



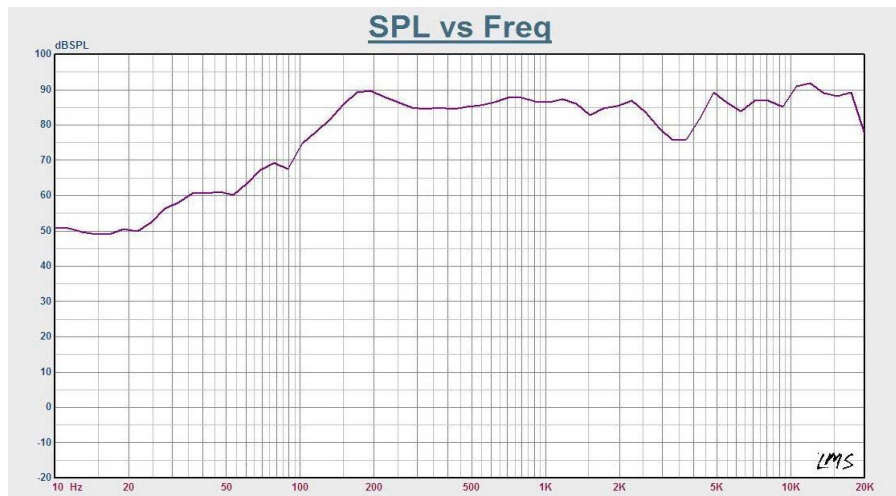
# Specifications

Model	MS-30P
Power Taps @100V	3.75W, 7.5W, 15W, 30W
Power Taps @70V	1.9W, 3.75W, 7.5W, 15W, 30W
Transformer Impedance	2.6K $\Omega$ /1.3K $\Omega$ /670 $\Omega$ /330 $\Omega$ /165 $\Omega$
Input	70V/100V/8 $\Omega$
SPL(1W/1M)	92dB
Max. SPL (Rated W/1M)	107dB
Frequency Response (-10dB)	125-18KHz
Finish	Baffle: ABS, Black/White    Grille: Steel, Black/White
Speaker Driver	5" x1    1.5" x 1
Dimensions	243 x 185 x186mm
Weight	2.7kg
Mounting	With mounting bracket fixed by screw

## Direction Diagram:



## Frequency Response:



Copyright © 2019 Starview International Private Limited. All rights reserved.

Singapore Headquarters: 60 Kaki Bukit Place, #05-19 Eunos Techpark, Singapore 415979

Website: [www.starviewint.com](http://www.starviewint.com) | Email: [sales@starviewint.com](mailto:sales@starviewint.com) | Tell: +65 3157 5338