



# STARVIEW C-SERIES INDOOR LED VIDEO WALL

Copyright © 2022 Starview International Private Limited. All rights reserved.

Singapore Headquarters: 60 Kaki Bukit Place, #05-19 Eunos Techpark, Singapore 415979

Website: [www.starviewint.com](http://www.starviewint.com) | Email: [sales@starviewint.com](mailto:sales@starviewint.com) | Tell: +65 31575338



## DESCRIPTION

The Starview C-series panels feature a lightweight die-cast aluminum frame and high brightness LEDs, delivering great visual performance in any light condition. The Starview C-series is light weight and easy to handle enabling it to be an attractive solution for hanging video walls or traditional video walls favoring a compact fine pitch solution. Add aesthetic value to indoor environments with LED visual solutions and make your mark. The Starview C-series is manufactured using the highest quality LED components, offering stunning brightness, contrast and color reproduction.

## FEATURES

- Available in P1.5, P1.8, P2, P2.5, P3, P4, P5 pixel pitches
- Chip of LED uses XGT SMD LED 3-in-1 with high-performance
- Compatible for hanging or free-standing
- Installation environment: Indoor
- Front & Rear Maintenance Access
- High-definition, bright and seamless visuals with wide viewing angles

Website: [www.starviewint.com](http://www.starviewint.com) | Email: [sales@starviewint.com](mailto:sales@starviewint.com) | Tell: +65 31575338

PRODUCT ADVANTAGES



**Minimal Power Consumption**

Power consumption has been a major concern for many LED applications, especially those requiring 24/7 operation. Starview LED displays are designed with optimized power supplies to limit power consumption to a minimum. This not only helps you save money but also confirms Starview’s long-term commitment to environmental protection and core focus on green energy-efficient solutions.



**Ease Of Services**

Starview strives to provide each customer with the best service possible in any application. This starts with designing displays with ease of service in mind. With front and rear access, our High Resolution Indoor Video Displays provide dynamic video quality with worry-free installation and service.



**Uniform Colors and Brightness all the time**

Starview LED technology guarantees uniform colors and brightness across the display. With this advanced technology, you can mix different batches of tiles and expect the best picture with accuracy and consistency over the lifetime of the display.



**High Definition Displays**

The Starview C-series offers the finest pixel pitch LED display solutions, suitable for the most demanding applications where a fine pixel pitch is a need in a fixed installation environment such as conference room, control room, studio, lobby, airports, shops, etc.

Website: [www.starviewint.com](http://www.starviewint.com) | Email: [sales@starviewint.com](mailto:sales@starviewint.com) | Tell: +65 31575338



## INDOOR LED DISPLAY TECHNOLOGY

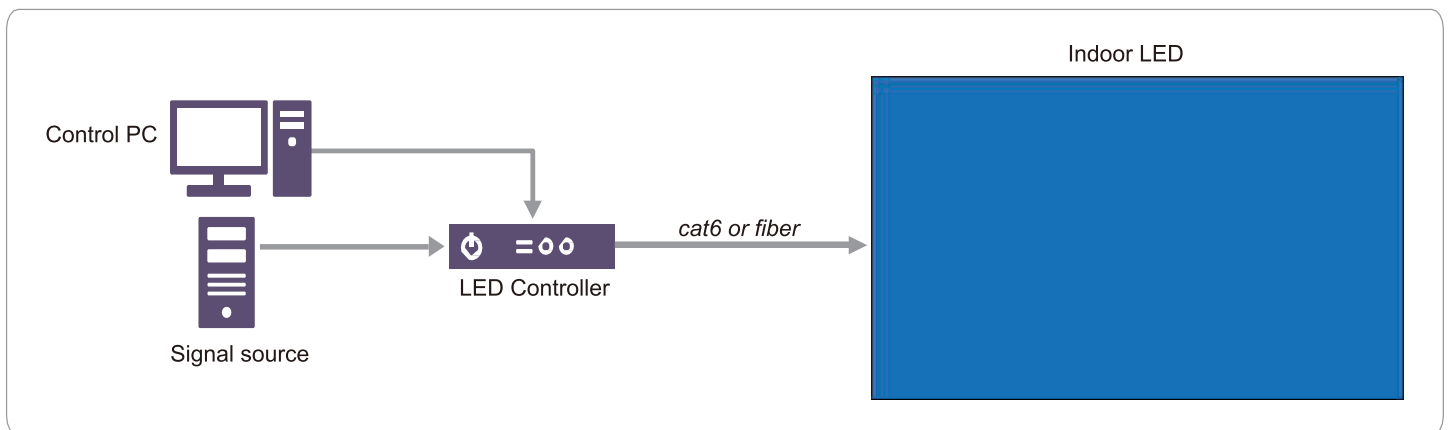


Starview brings LED video to the next level with its standard package LED display solution. Designed for premier applications that require the highest image quality at the closest viewing distances, this product takes advantage of 3-in-1 SMD (surface-mount device) LED technology to produce exceptional brightness, unsurpassed viewing angles and incredible picture detail. Starview can provide flexible solutions to fit customers' unique display needs, right down to the LED.

### EFFICIENT DESIGN

High efficiency design allows the product to overcome harsh interior lighting conditions without pushing electrical components beyond their capabilities. This saves energy, increases reliability and extends lifetime.

### LED SYSTEM DIAGRAM



Website: [www.starviewint.com](http://www.starviewint.com) | Email: [sales@starviewint.com](mailto:sales@starviewint.com) | Tell: +65 31575338

## SPECIFICATION

### STARVIEW C-SERIES INDOOR LED VIDEO WALL SPECIFICATIONS

Model	SV-CS-LED P1.5I-ALU	SV-CS-LED P1.8I-ALU	SV-CS-LED P2I-ALU	SV-CS-LED P2.5I-ALU	SV-CS-LED P3I-ALU	SV-CS-LED P4I-ALU	SV-CS-LED P5I-ALU	SV-CS-LED P2.5I-STE	SV-CS-LED P3I-STE	SV-CS-LED P4I-STE	SV-CS-LED P5I-STE	
Pixel Pitch	1.53 mm	1.875 mm	2 mm	2.5 mm	3 mm	4 mm	5 mm	2.5 mm	3 mm	4 mm	5 mm	
Pixel Configuration	SMD1212, RGB 3-in-1	SMD1515, RGB 3-in-1	SMD1515, RGB 3-in-1	SMD2121, RGB 3-in-1	SMD2121, RGB 3-in-1	SMD2121, RGB 3-in-1	SMD2121, RGB 3-in-1	SMD2121, RGB 3-in-1	SMD2121, RGB 3-in-1	SMD2121, RGB 3-in-1	SMD2121, RGB 3-in-1	
Pixel Density	422,500 pixels/m <sup>2</sup>	284,444 pixels/m <sup>2</sup>	250,000 pixels/m <sup>2</sup>	160,000 pixels/m <sup>2</sup>	111,111 pixels/m <sup>2</sup>	62,500 pixels/m <sup>2</sup>	40,000 pixels/m <sup>2</sup>	160,000 pixels/m <sup>2</sup>	111,111 pixels/m <sup>2</sup>	62,500 pixels/m <sup>2</sup>	40,000 pixels/m <sup>2</sup>	
Module Resolution (W x H)	208 x 104 pixels	172 x 86 pixels	160 x 80 pixels	128 x 64 pixels	104 x 52 pixels	80 x 40 pixels	64 x 32 pixels	128 x 64 pixels	64 x 64 pixels	64 x 64 pixels	64 x 32 pixels	
Module Size (W x H)	320 x 160 mm	320 x 160 mm	320 x 160 mm	320 x 160 mm	320 x 160 mm	320 x 160 mm	320 x 160 mm	320 x 160 mm	192 x 192 mm	256 x 256 mm	320 x 160 mm	
Cabinet Resolution (W x H)	416 x 312 pixels	344 x 258 pixels	320 x 240 pixels	256 x 192 pixels	208 x 156 pixels	160 x 120 pixels	128 x 96 pixels	256 x 256 pixels	192 x 192 pixels	256 x 256 pixels	192 x 192 pixels	
Cabinet Size (W x H)	640 x 480 mm							640 x 640 mm	576 x 576 pixels	768 x 768 pixels	1024 x 1024 (mm)	960 x 960 mm
Modules/Cabinet (W x H)	2 x 3											
Cabinet Weight	7 kg											
Cabinet Design	Steel/ Die-cast Aluminum											
Maximum Power	700 W/m <sup>2</sup>	600 W/m <sup>2</sup>	600 W/m <sup>2</sup>	600 W/m <sup>2</sup>	600 W/m <sup>2</sup>	600 W/m <sup>2</sup>	600 W/m <sup>2</sup>	700 W/m <sup>2</sup>	700 W/m <sup>2</sup>	700 W/m <sup>2</sup>	700 W/m <sup>2</sup>	
Average Power	150 - 250 W/m <sup>2</sup>	150 - 250 W/m <sup>2</sup>	150 - 250 W/m <sup>2</sup>	150 - 250 W/m <sup>2</sup>	150 - 250 W/m <sup>2</sup>	150 - 250 W/m <sup>2</sup>	150 - 250 W/m <sup>2</sup>	150 - 250 W/m <sup>2</sup>	150 - 250 W/m <sup>2</sup>	150 - 250 W/m <sup>2</sup>	150 - 250 W/m <sup>2</sup>	
Brightness	600 - 800 cd/m <sup>2</sup>	600 - 800 cd/m <sup>2</sup>	800 cd/m <sup>2</sup>	800 - 900 cd/m <sup>2</sup>	900 - 1000 cd/m <sup>2</sup>	900 - 1000 cd/m <sup>2</sup>	900 - 1000 cd/m <sup>2</sup>	600 - 800 cd/m <sup>2</sup>	600 - 800 cd/m <sup>2</sup>	600 - 800 cd/m <sup>2</sup>	600 - 800 cd/m <sup>2</sup>	
Color Temperature (Adjustable)	1000 - 18,500K (Optional)											
Viewing Angle (H/V)	160° / 160°											
Display Colors	687 million											
Contrast Ratio	5000 : 1											
Frame Rate	50/60 Hz											
Driver IC	2163 IC	2163 IC	2163 IC	2037 IC	2037 IC	2037 IC	2037 IC	2037 IC	2037 IC	2037 IC	2037 IC	
Refresh Rate (Adjustable)	3840 Hz	3840 Hz	3840 Hz	1920 Hz	1920 Hz	1920 Hz	1920 Hz	1920 Hz	1920 Hz	1920 Hz	1920 Hz	
Scan Mode	1/48	1/43	1/40	1/32	1/32	1/32	1/32	1/48	1/48	1/48	1/48	
Gray Scale	65,536 Shades Per Color											
Service Access	Front or Rear											
LED Lifetime	>100,000 hours											
Line Voltage	AC 90 - 264V @ 47/63Hz											

Website: [www.starviewint.com](http://www.starviewint.com) | Email: [sales@starviewint.com](mailto:sales@starviewint.com) | Tell: +65 31575338

Working Temperature	-20° ~ 60°C										
Working Humidity	10% ~ 85%RH										
Storage Temperature	-20° ~ 60°C										
Storage Humidity	10% ~ 85%RH										
Best View Distancing	1.5 - 50m	2 - 50m	2 - 50m	3 - 100m	3 - 100m	4 - 150m	4 - 150m	3 - 100m	3 - 100m	4 - 150m	4 - 150m
Certificate	CCC/ CE/ RoHS/ FCC										

Corporate offices

STARVIEW INTERNATIONAL PTE LTD  
**Singapore Headquarters**  
 60 Kaki Bukit Place  
 #05-19 Eunos Techpark  
 Singapore 415979

Tel: +65 3157 5338  
 Fax: +65 3112 8181

Worldwide offices

**Vietnam**  
**Hanoi Office**  
 R10, 33th Floor, C2 Building, D'Capitale,  
 119 Tran Duy Hung Street,  
 Trung Hoa - Cau Giay, Hanoi  
**Ho Chi Minh Office**  
 #C9-16, Block A, Sky Center Building,  
 #10 Pho Quang Street - Tan Binh District,  
 Ho Chi Minh City

Tel: (024) 66661268  
 Hotline: 19008695  
 Sale Contact: 0866.207.855

Representatives

**Brazil**  
 Tel: +55 11 9-8244-7630

**Germany**  
 Tel: +49 172 946 69 39

**France - Benelux - Africa**  
 Tel: +33 782 702 214

**Southern, Eastern Europe  
 & Middle East Operations**  
 Tel: +420 602 66 75 66

