



FDX-32UHD

The IDK FDX-32UHD is a new level of Digital Matrix Switcher for AV systems which supports resolution up to 4K @60 and HDCP2.2. The FDX-32UHD can input/output HDCP protected contents such as Blu-ray, and it can support DVI signal by using HDMI to DVI connector conversion cable. The FDX-32UHD combines the simplicity and reliability of a fixed I/O matrix switcher with the convenience and flexibility of a modular matrix switcher. The FDX-32UHD accepts any combination of available HDMI/DVI, or HDBaseT input/output boards. Input and output boards are available in 4-input, 4-output, providing various I/O size combinations with sizes from 4x4 to 32x32. The FDX series also have RS-232 and LAN ports for external device control.

■ Specification

Item		Description
Input		32 inputs
Output		32 outputs
Input board	4K Digital	Up to 8 boards, 4 inputs per board (Up to 32 inputs)
	4K HDBaseT	
Output board	4K Digital	Up to 8 boards, 4 outputs per board (Up to 32 outputs)
	4K HDBaseT	
Functions		Audio breakaway for independent audio and video switching (When MAU-3232 (Optional) is connected), I/O board, CPU board, and fan unit can be replaced without removing from rack, Preset memory (32 memories), Last memory, Front key function lock, Anti-Snow (*1), Connection Reset (*2), The number of I/Os can be customized, RS-232C transmission (4K HDBaseT I/O board), System check, All functions and configuration settings accessible through browser, Backup power supply unit (Optional)
Instant Alert output		1 port/2-pin terminal block/Power unit monitoring, Fan unit monitoring, Temperature monitoring
External control	RS-232C	1 port/male D-sub (9 pin)
	LAN	1 port/RJ-45 10Base-T/100Base-TX (Auto Negotiation), Auto MDI/MDI-X
	Optional (MAU-3232)	1 port/female D-sub (25 pin)
General	Power	100 - 240 VAC ± 10%, 50 Hz/60 Hz ± 3 Hz
	Power consumption (*3)	4K digital input/output board Max. configuration Without backup power supply: About 185 Watts With backup power supply : About 189 Watts
		4K HDBaseT input/output board Max. configuration Without backup power supply: About 406 Watts With backup power supply : About 413 Watts
	Dimensions	16.9 (W) × 8.7 (H) × 13.8 (D)" (430 (W) × 221 (H) × 350 (D) mm) (5U high) (Excluding connectors and the like)
	Weight (*3)	4K digital input/output board Max. configuration Without backup power supply: About 29.8 lbs. (13.5 kg) With backup power supply : About 31.3 lbs. (14.2 kg)
		4K HDBaseT input/output board Max. configuration Without backup power supply: About 36.6 lbs. (16.6 kg) With backup power supply : About 37.9 lbs. (17.2 kg)
Temperature	Operating: 32°F to 104°F (0°C to +40°C) Storage : -4°F to +176°F (-20°C to +80°C)	
Humidity	Operating/Storage: 20% to 90% (Non Condensing)	

■ Input board specification

Item		Description
4K Digital input board		
Input		4 inputs
Video	HDMI/DVI	HDMI Deep Color (*4)/DVI 1.0 TMDS single link, HDCP 1.4/2.2, HDR (*5), 3D (*6), x.v.Color TMDS clocks: 25 MHz to 300 MHz, TMDS data rate: 0.75 Gbps to 18 Gbps EDID emulation
	Formats	VGA to 4K (Dot clock 25 MHz to 600 MHz) 480i / 480p / 576i / 576p / 720p / 1080i / 1080p / 4K (up to 4K@60 (4:4:4))
Audio	Digital	Multi-channel LPCM up to 8 channels Sampling frequency: 32 kHz to 192 kHz, Sample size: 16 bit to 24 bit
Connector		Female HDMI Type A (19-pin)
Transmission distance		Up to 98 ft. (30 m) (1080p@60), up to 39ft. (12 m) (4K@60) (*7)

4K HDBaseT input board		
Input		4 inputs
Video	HDBaseT	HDBaseT (*8) HDCP 1.4/2.2 (*9), HDR (*5), 3D (*6), x.v.Color EDID emulation
	Formats	VGA to 4K (Dot clock: 25 MHz to 300 MHz) * For WQHD / WQXGA, only Reduced Blanking is supported. 480i / 480p / 576i / 576p / 720p / 1080i / 1080p / 4K (up to 4K@60 (4:2:0))
Audio	HDBaseT	Multi-channel linear PCM up to 8 channels Sampling frequency: 32 kHz to 192 kHz, Sample size: 16 bit to 24 bit
Connector		RJ-45 (*10)
Cable		CAT.5E HDC, Cat5e UTP/STP, Cat6 UTP/STP (*11)
Transmission distance		Up to 328 ft. (100 m) (*12)

●All specifications and drawings are subject to change without notice. ●Blu-ray Disc and Blu-ray is a trademarks of Blu-ray Disc Association. ●Please do not use the supplied AC adapter and power supply cable for other products. ●HDBaseT™ and the HDBaseT Alliance Logo are trademarks of the HDBaseT Alliance. ●The terms HDMI and HDMI High-Definition Multimedia Interface, and the HDMI Logo are trademarks or registered trademarks of HDMI Licensing Administrator, Inc. in the United States and other countries. ●The terms Anti-snow and Connection Reset are registered trademarks of IDK Corporation in Japan. ●All other company and product names mentioned in this document are either registered trademarks or trademarks of their respective owners. In this document, the “®” or “™” marks may not be specified.

■ Output board specification

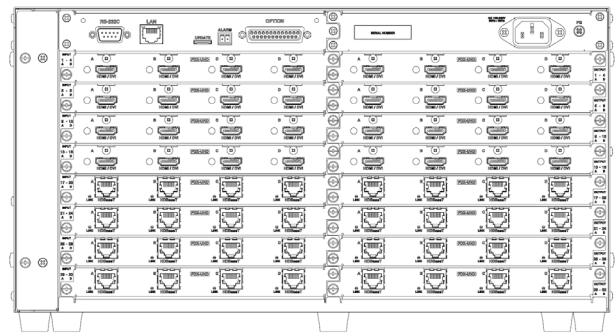
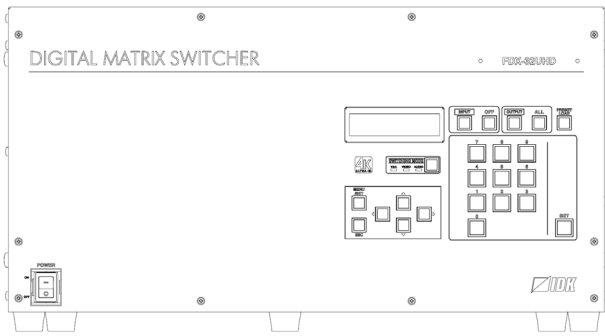
Item		Description
4K Digital output board		
Output		4 outputs
Video	HDMI/DVI	HDMI Deep Color (*4)/DVI 1.0 TMDS single link, HDCP 1.4/2.2, HDR (*5), 3D (*6), x.v.Color TMDS clock: 25 MHz to 300 MHz, TMDS data rate: 0.75 Gbps to 18 Gbps
	Formats	VGA to 4K (Dot clock 25 MHz to 600 MHz) 480i / 480p / 576i / 576p / 720p / 1080i / 1080p / 4K (up to 4K@60 (4:4:4))
Audio	Digital	Multi-channel LPCM up to 8 channels Sampling frequency: 32 kHz to 192 kHz, Sample size: 16 bit to 24 bit
Connector		Female HDMI Type A (19-pin)
Transmission distance		Up to 98 ft. (30 m) (1080p@60), up to 39ft. (12 m) (4K@60) (*7)

4K HDBaseT output board		
Output		4 outputs
Video	HDBaseT	HDBaseT (*8) HDCP 1.4/2.2 (*9), HDR (*5), 3D (*6), x.v.Color
	Formats	VGA to 4K (Dot clock: 25 MHz to 300 MHz) *For WQHD / WQXGA Reduced Blanking, only Reduced Blanking is supported. 480i / 480p / 576i / 576p / 720p / 1080i / 1080p / 4K (up to 4K@60 (4:2:0))
Audio	HDBaseT	Multi-channel linear PCM up to 8 channels Sampling frequency: 32 kHz to 192 kHz, Sample size: 16 bit to 24 bit
Connector		RJ-45 (*10)
Cable		CAT.5E HDC, Cat5e UTP/STP, Cat6 UTP/STP (*11)
Transmission distance		Up to 328 ft. (100 m) (*12)

- *1 The anti-snow feature automatically fixes snow noise that is a specific symptom of HDCP-compliant signals and mainly occurs at start-up. This feature does not work when snow noise has already occurred during startup or when it occurs due to a bad condition of the transmission line.
- *2 For digital systems, some problems, such as an HDCP authentication error, can often be recovered by physically disconnecting and reconnecting the digital cables. However, the Connection Reset feature will fix these problems automatically without the need to physically plug and unplug the cables. It creates the same condition as if the cable were physically disconnected and reconnected. This feature only works for the FDX's output. If other devices are connected between the FDX's output and sink device, this feature may be invalid.
- *3 Please contact IDK sales for temperature and weight of each combination of inputs and outputs boards.
- *4 4K format: following color depth are supported. ARC, HEC and CEC are not supported.
- 24 Hz/25 Hz/30 Hz : 24 bit, 30 bit, 36 bit (RGB, YCbCr 4:4:4, YCbCr 4:2:2)
 - 50 Hz/59.94 Hz/60 Hz : 24 bit, 30 bit, 36 bit (YCbCr 4:2:2, YCbCr 4:2:0)
: 24 bit (RGB, YCbCr 4:4:4)
- *5 HDR is supported if the connected sink device supports HDR and its copied EDID is set for EDID.
- *6 3D is supported if the connected sink device supports 3D and its copied EDID is set for EDID.
- *7 The maximum cable distance varies depending on the connected devices and was measured under following conditions:
- 1080p@60 : when IDK's AWG 24 cable was used and signals of 1080p@60 24 bit/pixel (8 bit/component) was input or output.
 - 4K@60 : when IDK's 18 Gbps supported cable was used and signals of 4K@60 24 bit/pixel (8 bit/component) was input or output.
- The maximum cable distance depends on the connected devices. With some combinations, and if you use cables of other manufacturer, video may be disturbed or may not be output even if signals are within the range mentioned above.
- *8 4K format: following color depth are supported. ARC, HEC and CEC are not supported.
- 24 Hz/25 Hz/30 Hz : 24 bit (RGB, YCbCr 4:4:4, YCbCr 4:2:2)
 - 50 Hz/59.94 Hz/60 Hz : only 24 bit (YCbCr 4:2:0) and CEA-861
- *9 DVI signals protected by HDCP are not supported. To transmit those signals, use an IDK's HDBaseT transmitter supporting DVI signals.
- *10 RJ-45 (HDBaseT connector) is only for extending digital video and audio signals over a Cat5e/Cat6 category cable. Use it with IDK's HDBaseT extender.
Do not use for LAN devices.
- *11 T568A or T568B straight. The CAT.5E HDC cable is developed by IDK and recommended by HDBaseT alliance.
- *12 The maximum distance was obtained when IDK CAT.5E HDC cable was used.
If connected to a device that is in extremely bad condition, the video may be unstable or not be output. Operations may not be stable with some LCD devices; please check the operation beforehand or contact us. The maximum extension distance is the shorter one of HDBaseT product and sink device that are connected to the FDX.

●All specifications and drawings are subject to change without notice. ●Blu-ray Disc and Blu-ray is a trademarks of Blu-ray Disc Association. ●Please do not use the supplied AC adapter and power supply cable for other products. ●HDBaseT™ and the HDBaseT Alliance Logo are trademarks of the HDBaseT Alliance. ●The terms HDMI and HDMI High-Definition Multimedia Interface, and the HDMI Logo are trademarks or registered trademarks of HDMI Licensing Administrator, Inc. in the United States and other countries. ●The terms Anti-snow and Connection Reset are registered trademarks of IDK Corporation in Japan. ●All other company and product names mentioned in this document are either registered trademarks or trademarks of their respective owners. In this document, the “®” or “™” marks may not be specified.

■ Front & Rear Panels

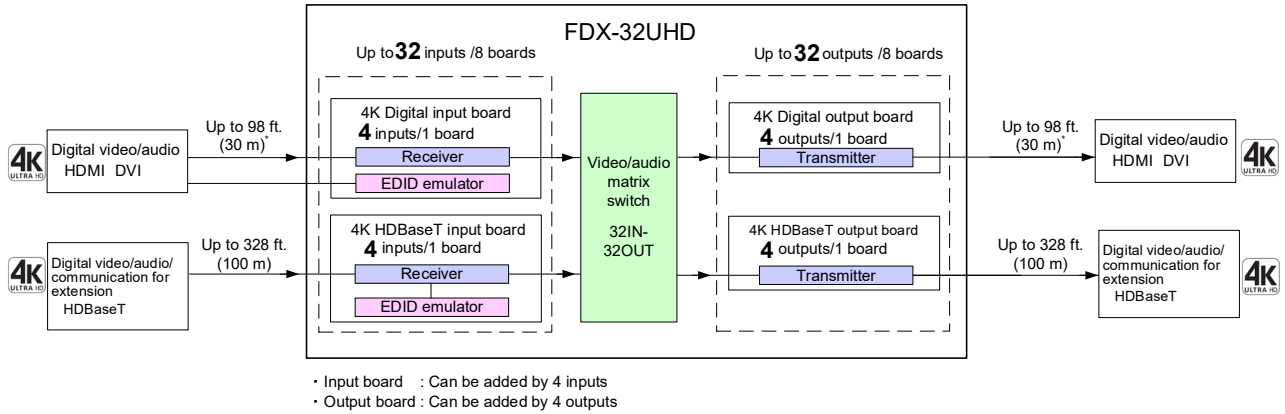


●All specifications and drawings are subject to change without notice. ●Blu-ray Disc and Blu-ray is a trademarks of Blu-ray Disc Association. ●Please do not use the supplied AC adapter and power supply cable for other products. ●HDBaseT™ and the HDBaseT Alliance Logo are trademarks of the HDBaseT Alliance. ●The terms HDMI and HDMI High-Definition Multimedia Interface, and the HDMI Logo are trademarks or registered trademarks of HDMI Licensing Administrator, Inc. in the United States and other countries. ●The terms Anti-snow and Connection Reset are registered trademarks of IDK Corporation in Japan. ●All other company and product names mentioned in this document are either registered trademarks or trademarks of their respective owners. In this document, the “®” or “™” marks may not be specified.



4K@60/HDCP 2.2 Modular Matrix Switcher FDX-32UHD Diagram and Features

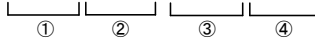
■ **Diagram**



*Maximum transmission distances
 98 ft. (30 m): 1080p@60
 39 ft. (12 m): 4K@60 (when cable supporting 18 Gbps transmission is used)

■ **Ordering code**

FDX-32UHD UH16UT16-UH16UT16-DP



UH : 4K Digital input/output board	①: The number of 4K digital inputs
UT : 4K HDBaseT input/output board	②: The number of 4K HDBaseT inputs
DP : With backup power supply (optional)	③: The number of 4K digital outputs
	④: The number of 4K HDBaseT outputs

Ex.) 32inputs 16 outputs
 Eight (8) 4K digital inputs and twenty four (24) 4K HDBaseT inputs
 Four (4) 4K digital outputs and twelve (12) 4K HDBaseT outputs

FDX-32UHD UH8UT24-UH4UT12

●All specifications and drawings are subject to change without notice. ●Blu-ray Disc and Blu-ray is a trademarks of Blu-ray Disc Association. ●Please do not use the supplied AC adapter and power supply cable for other products. ●HDBaseT™ and the HDBaseT Alliance Logo are trademarks of the HDBaseT Alliance. ●The terms HDMI and HDMI High-Definition Multimedia Interface, and the HDMI Logo are trademarks or registered trademarks of HDMI Licensing Administrator, Inc. in the United States and other countries. ●The terms Anti-snow and Connection Reset are registered trademarks of IDK Corporation in Japan. ●All other company and product names mentioned in this document are either registered trademarks or trademarks of their respective owners. In this document, the “®” or “™” marks may not be specified.

[Features]**■ Video**

- Up to 4K@60 (4:4:4)*
- HDCP 1.4/2.2
- Transmission distances (4K digital I/O board)
 - 1080p@60 : up to 98 ft. (30 m)
 - 4K@60 : up to 39 ft. (12 m) (when cable supporting 18 Gbps transmission is used)
- Up to 328 ft. (100 m) over Cat6 cable
- Anti-Snow
- HDR
- 3D
- x.v.Color
- The number of I/Os can be customized

■ Control input

- RS-232C
- LAN

■ Others

- EDID emulation
- Audio breakaway for independent audio and video switching (When MAU-3232 (Optional) is connected)
- I/O board, CPU board, and fan unit can be replaced without removing from rack
- Alarm output (Monitoring power source, fans, and internal temperature)
- Preset memory
- Last memory
- Connection Reset
- Front key function lock
- System check
- All functions and configuration settings accessible through browser
- Backup power supply unit (Optional)
- RS-232C transmission (4K HDBaseT I/O board)

* 4K HDBaseT I/O board: Up to 4K@60 (4:2:0)

●All specifications and drawings are subject to change without notice. ●Blu-ray Disc and Blu-ray is a trademarks of Blu-ray Disc Association. ●Please do not use the supplied AC adapter and power supply cable for other products. ●HDBaseT™ and the HDBaseT Alliance Logo are trademarks of the HDBaseT Alliance. ●The terms HDMI and HDMI High-Definition Multimedia Interface, and the HDMI Logo are trademarks or registered trademarks of HDMI Licensing Administrator, Inc. in the United States and other countries. ●The terms Anti-snow and Connection Reset are registered trademarks of IDK Corporation in Japan. ●All other company and product names mentioned in this document are either registered trademarks or trademarks of their respective owners. In this document, the “®” or “™” marks may not be specified.